

DATE  
Jan. 14, 2009  
CAT. #: VH7/54

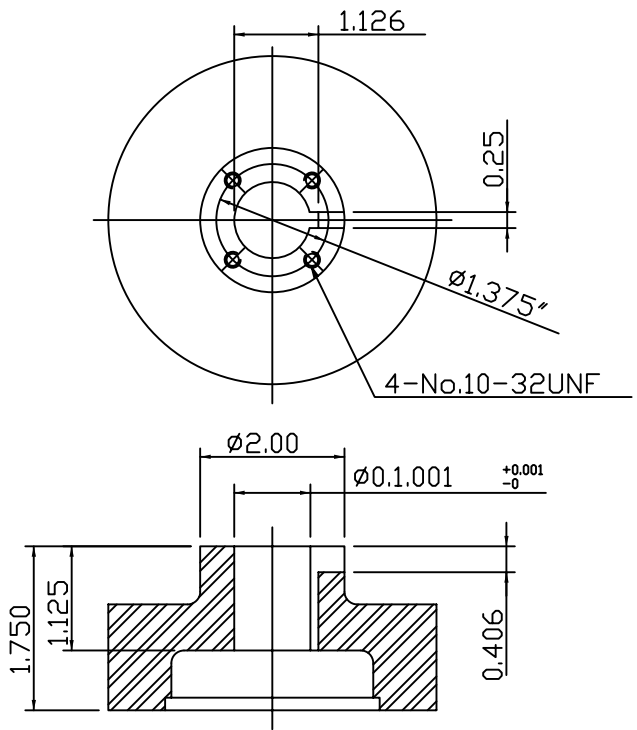
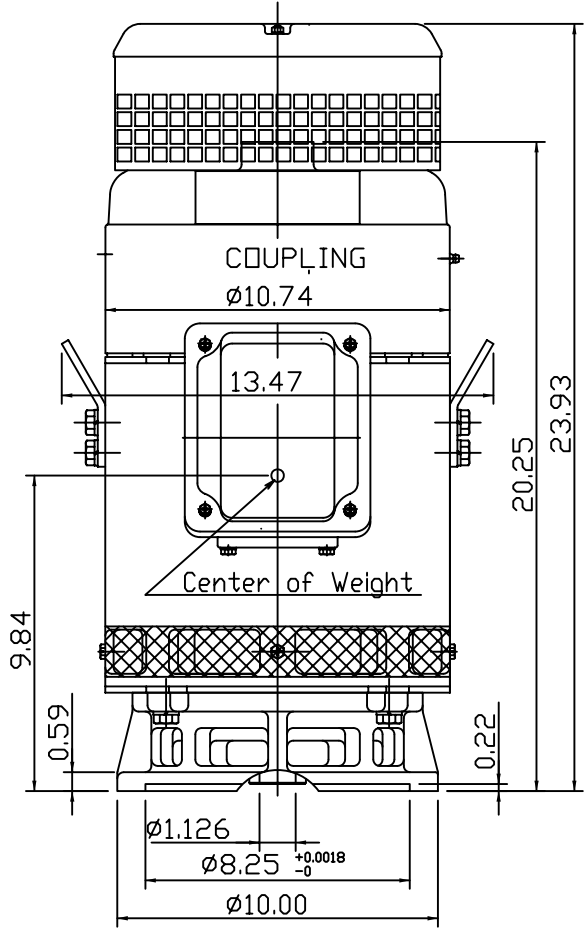
OUTLINE DIMENSIONS  
3-PHASE INDUCTION MOTOR

MOTOR TYPE:  
AMRCYC  
FRAME NO. 213TP

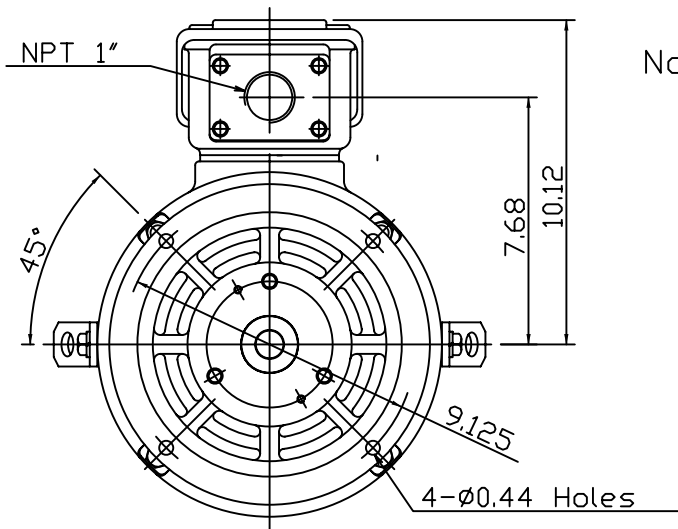
Pole	HP	kW	Hz	VOLT	Syn.Speed r/min(rpm)
4	7.5	5.6	60	230/460	1800

Ins	Rating	Dimension in	Approx Weight	Bearings
F	CONT.	inches	198 lbs	DE: 6209ZZC3 NDE: 7310BE

NEMA Weather Protected TYPE I (WP I) Squirrel-cage Rotor.



Coupling Dimension



- Note:
1. Downthrust :2600lbs  
L10 - 8800 hours
  2. Rotation: C.C.W  
View from Top
  3. With N.R.R.
  4. Approx Reed  
Frequencies: 131 Hz

12.27.08

DWN.	????????	12 14 08
CHKD.	???????	01 09 09
APPD.	????????	01 09 09



DWG NO.  
31049R179101A