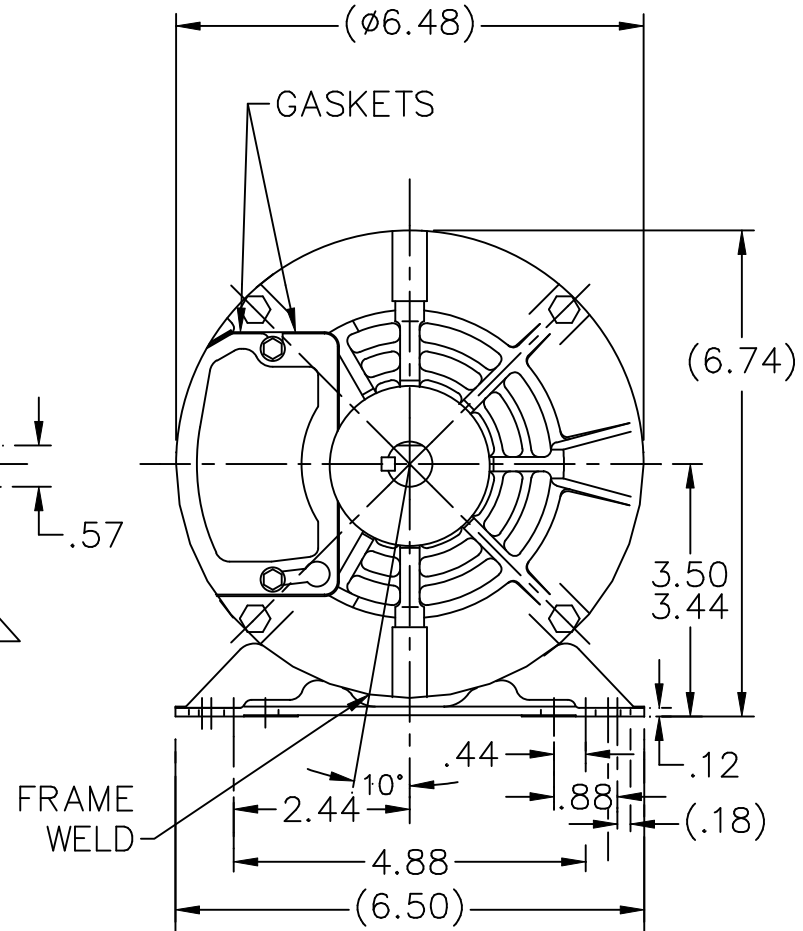


TERM. END



DASH	FR.	C	DASH	FR.	C
656	56-65	14.06	856	56-85	16.06
706	"-70	14.56	906	"-90	16.56
756	"-75	15.06	956	"-95	17.06
806	"-80	15.56			

A. SPL DE: .625 x 5.00 IN SEK WITH 4.00 IN FULL FLAT

			TOLERANCES UNLESS SPECIFIED			DRAWN BRH 10-30-1995						
			DEC.	INCHES		CHK DA 11-03-1995						
			.X	±.1		APPD RJS 11-09-1995						
			.XX	±.03		SCALE 3=8						
			.XXX	±.005	REF							
1	NEW DRAWING	4335603	BRH 11-09-1995	.XXXX	±.0005	MAT'L.	FMF					
NO.	REVISION		BY & DATE	CHK	ANG	±7'30"	PREV					
THIS DRAWING IN DESIGN AND DETAIL IS OUR PROPERTY AND MUST NOT BE USED EXCEPT IN CONNECTION WITH OUR WORK ALL RIGHTS OF DESIGN AND INVENTION ARE RESERVED THIS IS AN ELECTRONICALLY GENERATED DOCUMENT - DO NOT SCALE THIS PRINT				RFP	CAD FILE 104062			SIZE	DRAWING NO.	PAGE	OF	REV.
				DIST	WP	A			104062			1