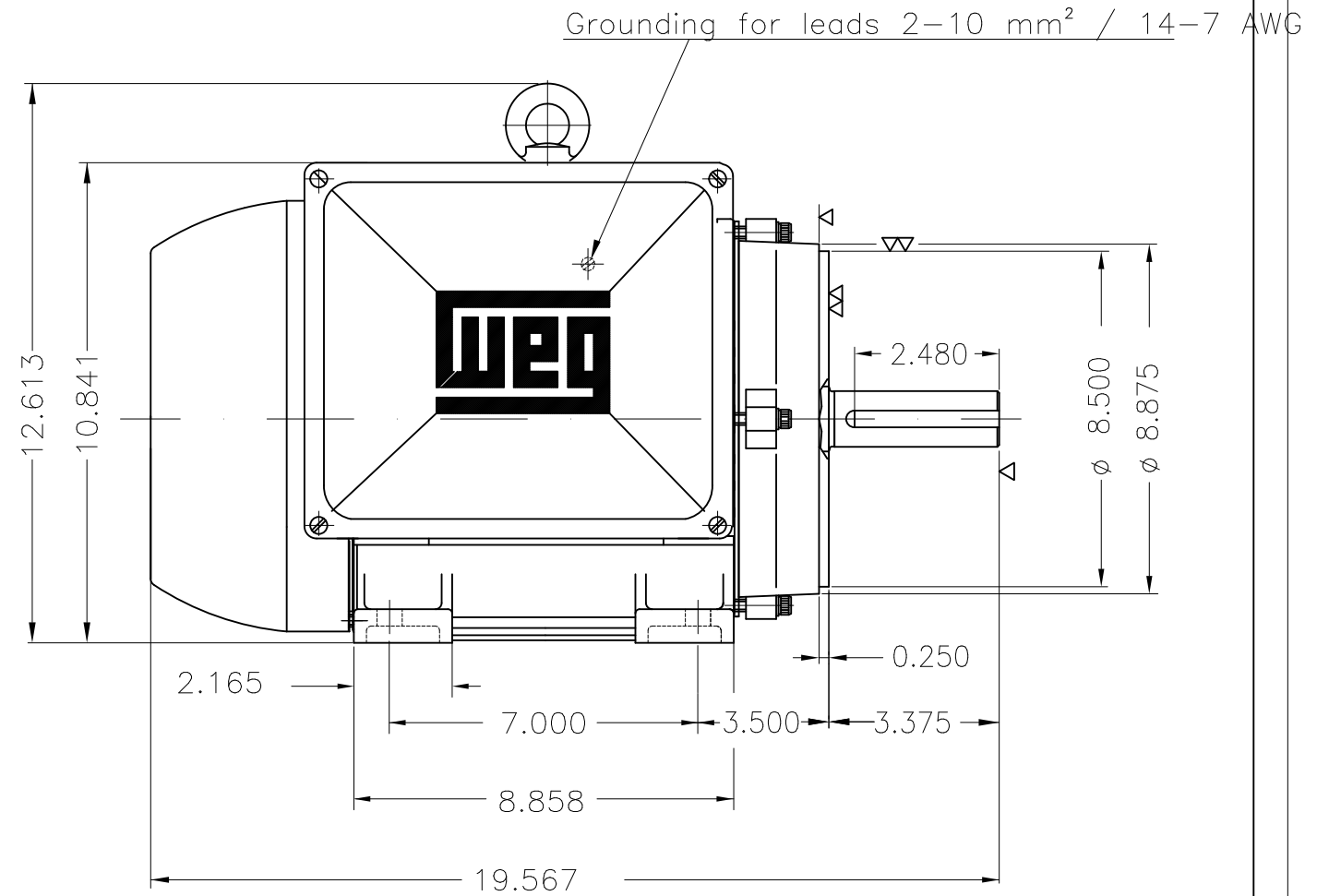
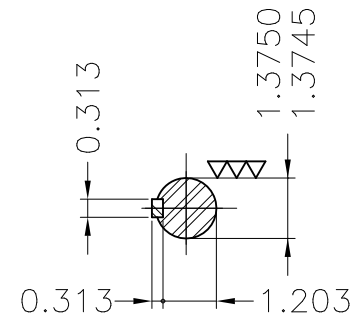
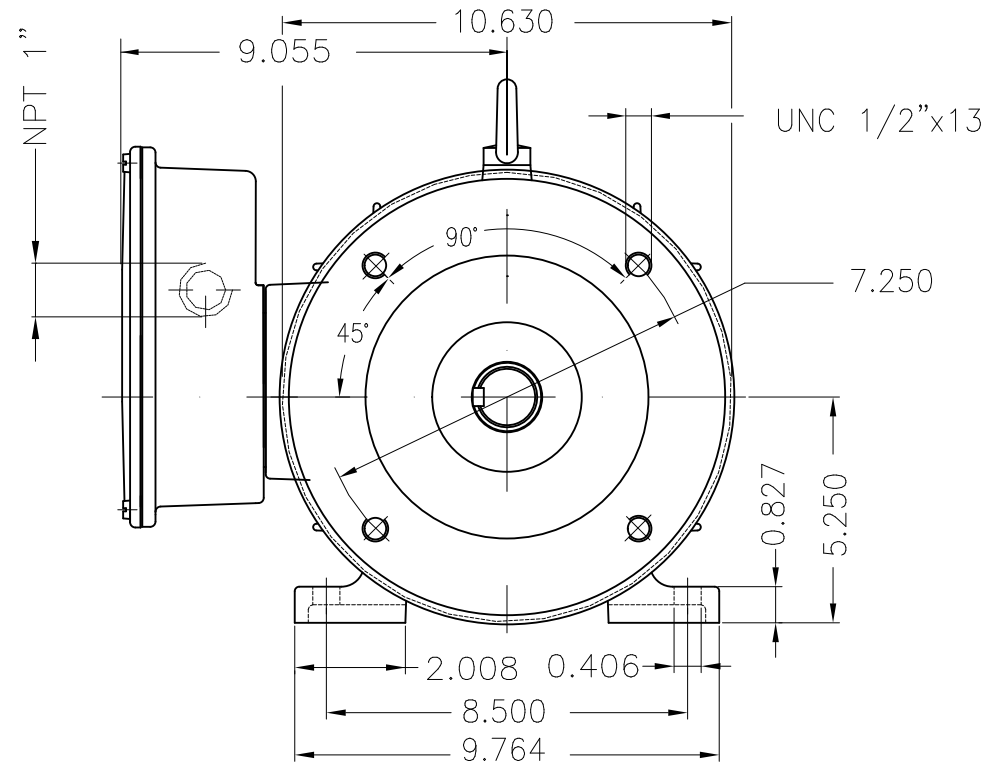
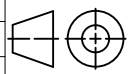



THIS IS AN UPDATED REVISION, THE PREVIOUS ONE MUST BE DISREGARDED.



A
B
C
D
E

Bearing cap										
Mounting B34R(D)										
ECM	LOC	SUMMARY OF MODIFICATIONS				EXECUTED	CHECKED	RELEASED	DATE	VER
EXECUTED	USERADMIN	 SINGLE PHASE MOTOR FRAME 215TC IP55 TEFC WEG code: 10021596								
CHECKED										
RELEASED										
REL DT	24.07.2017	WMO	Jaragua do Sul	Product Engineering	SHEET	1 / 1				

10 HP 04 Poles 60Hz