

DOCUMENT FOR APPROVAL

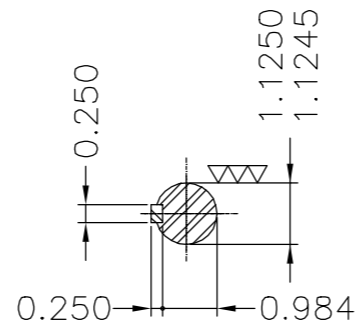
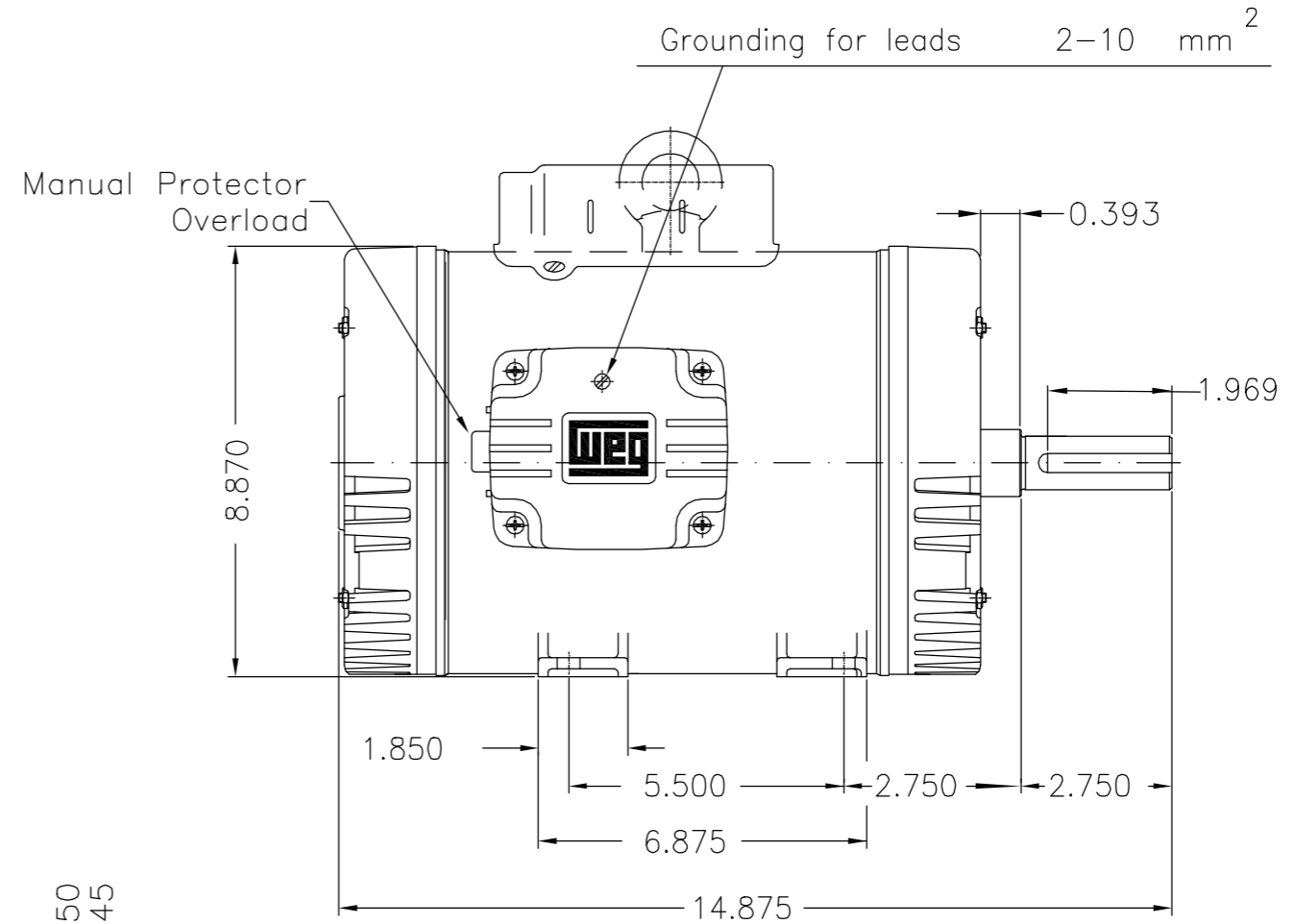
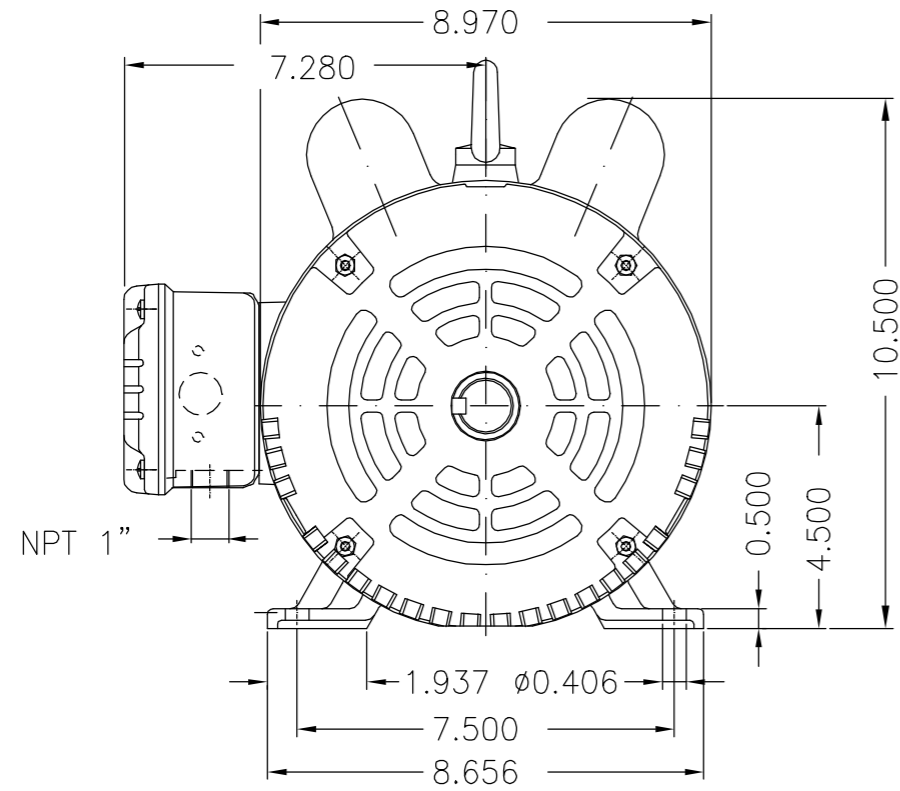
No reproduction of this drawing is allowed without written permission of WEG Motores

EIXO	
PADRÃO	X
OPCIONAL	
ESPECIAL	

FOR APPROVAL

- () Approved
- () Approved with comments
- () Not approved

THIS IS AN UPDATED REVISION, THE PREVIOUS ONE MUST BE DISREGARDED.



Tampa dianteira especial / Special DE endshield						
Protetor Térmico Manual / Manual Overload Protector						
Sentido de rotação ambos / Rotation CW and CCW						
Forma construtiva B3D / Mounting B3R(D)						
WEG ELECTRIC CORP. - SUWANEE						
500001027139		ALT CONFORME CLAIM 413825109	GEVERSON	ANDERSONLB	20.04.2015	01
500000181688		DOCUMENTO NOVO	DEISEM	DEISEM	24.04.2009	00
ECM	LOC	SUMMARY OF MODIFICATIONS	EXECUTED	CHECKED	RELEASED	DATE VER
EXECUTED	DEISEM	SINGLE PHASE MOTOR FRAME 184T IP22 (ODP) GERAL	10000484464			
CHECKED			APR 01			
RELEASED	DEISEM		SHEET 1 / 1			
REL DT	24.04.2009	WMO-JGS	JARAGUÁ DO SUL	ENG. MOTORES MONOFÁSICOS		

5 HP 04 Poles 60Hz

400440942 A

UNCONTROLLED COPY

RELEASED

ZME A3