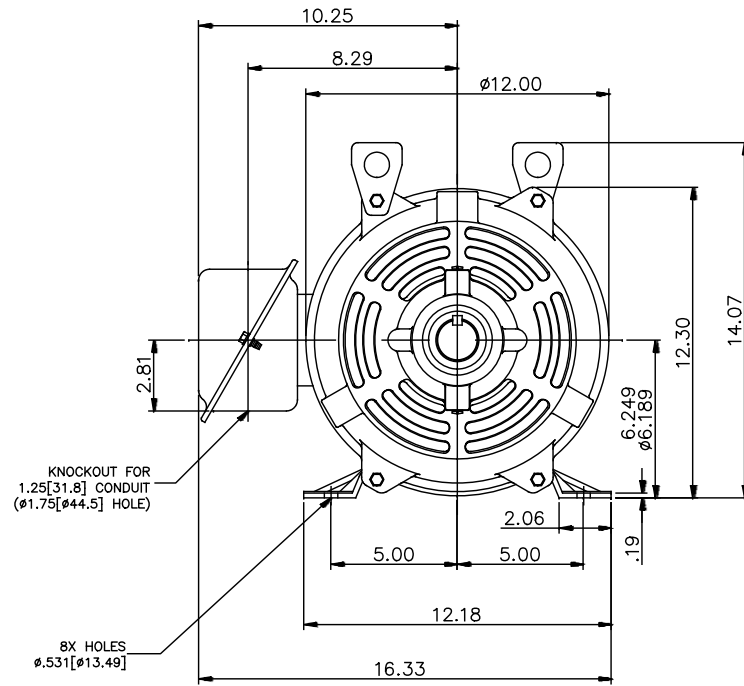
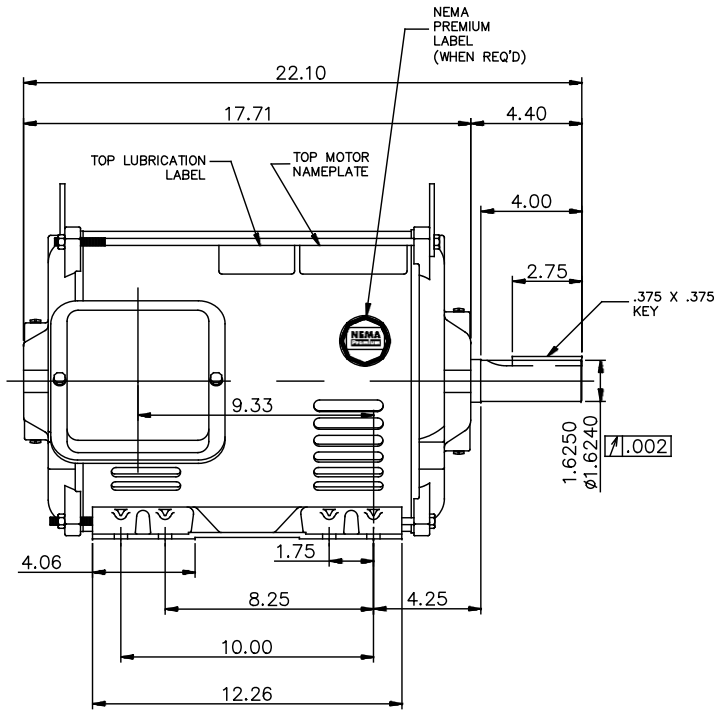


037977



NOTES:

1. CONDUIT BOX MAY BE ROTATED IN 90° INCREMENTS.
2. MOTOR IS SUITABLE FOR FIELD CONVERSION FROM AN F1 TO AN F2 CONDUIT BOX LOCATION.
3. MOTOR VENTILATION: AIR INTAKE THROUGH OPENINGS IN THE FACE OF EACH BRACKET AND EXHAUSTED THROUGH THE VENT SLOTS ON EACH END OF THE SHELL.

MOTOR DESCRIPTION:

3 PHASE OPEN DRIPPROOF STEEL SHELL 254T OR 256T MOUNTING. OTHER MOUNTING ORIENTATIONS ARE ACCEPTABLE; HOWEVER WHEN MOUNTED OTHER THAN HORIZONTAL; MOTOR WILL NOT BE DRIPPROOF AS DEFINED BY NEMA.

		TOLERANCES UNLESS SPECIFIED		REGAL™ Regal Beloit America, Inc.		DRAWN PVR 01/28/15
		DEC.	INCHES			CHK ST 01/28/15
		.X	±.1	TITLE OUTLINE		APPD
		.XX	±.03	15 HP		SCALE 1=4.2
002	CHANGED FROM 20 HP TO 15 HP	AS	01/19/17	ST	.XXX ±.005	REF 18748501-001
001	ADDED REGAL LOGO	SRK	02/23/16	GR	.XXXX ±.0005	FMF
NO.	REVISION	BY & DATE	CHK	ANG	±7'30"	PREV
THIS DRAWING IN DESIGN AND DETAIL IS OUR PROPERTY AND MUST NOT BE USED EXCEPT IN CONNECTION WITH OUR WORK ALL RIGHTS OF DESIGN AND INVENTION ARE RESERVED THIS IS AN ELECTRONICALLY GENERATED DOCUMENT - DO NOT SCALE THIS PRINT				RFP	CAD FILE 037977	SIZE A
				DIST LB		DRAWING NO. PAGE 1 OF 1 REV. 037977 002