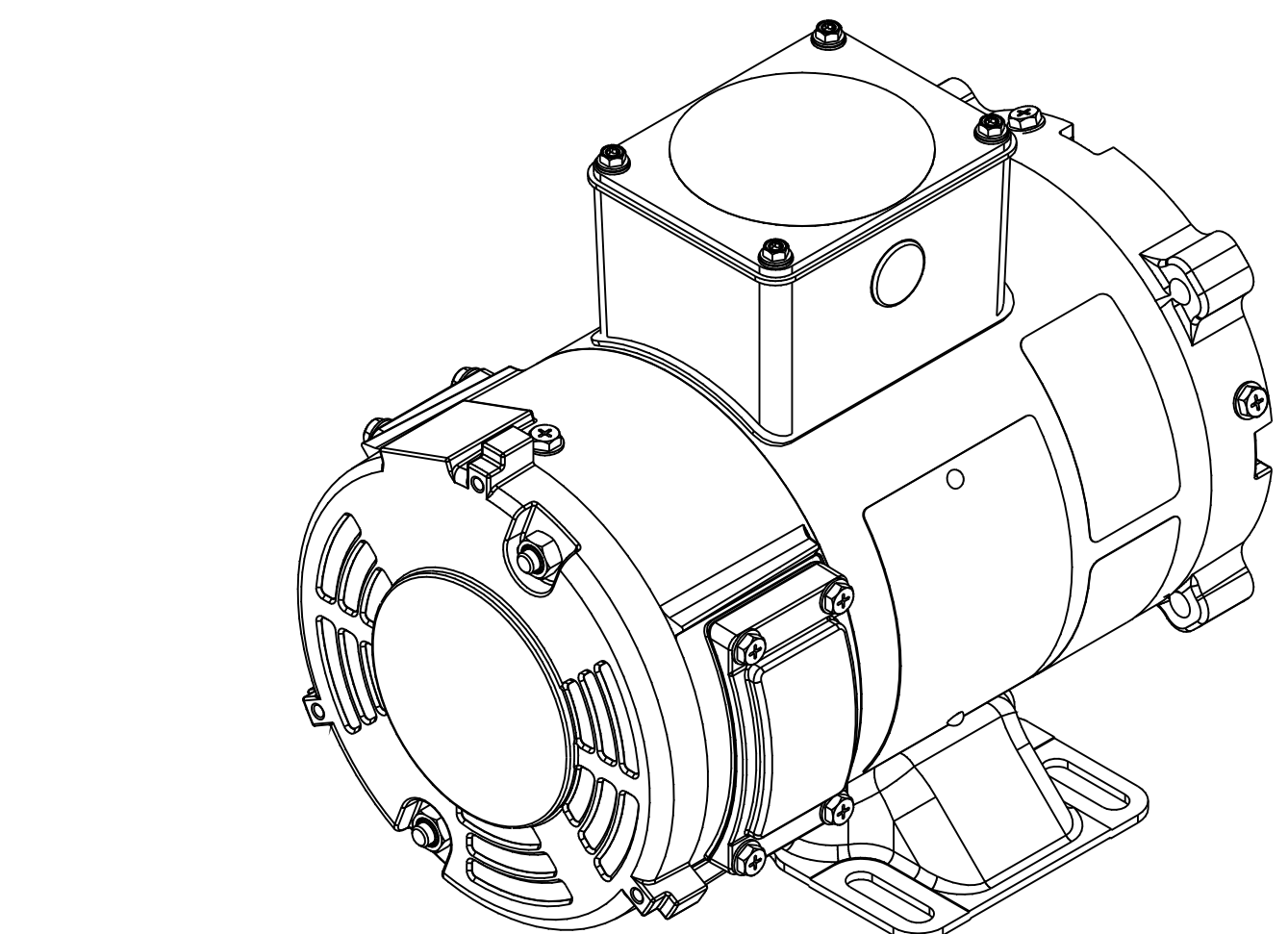


BASE REMOVAL WARNING DECAL ON FRAME UNDER BASE



108424.00	11.63	9.57	4.47	90	1/3	1750
108423.00	10.63	8.57	3.47	90	1/4	1750
108229.00	14.13	12.07	6.97	180	3/4	1750
108228.00	14.63	12.57	7.47	90	3/4	1750
108227.00	13.63	11.57	6.47	180	1/2	1750
108226.00	13.13	11.07	5.97	90	1/2	1750
CATALOG No.	"C"	"L"	"AD"	VOLTS	H.P.	RPM

- NOTES:  
 1) MAXIMUM FACE RUNOUT .004 T.I.R.  
 2) MAXIMUM PILOT ECCENTRICITY .004 T.I.R.  
 3) PERMISSIBLE SHAFT RUNOUT .002 T.I.R.  
 4) GASKETS THROUGHOUT.  
 5) PLUGGED DRAIN HOLES IN ENDBELLS.

ITEM No.	ITEM REV
-00	003

DRAWING REVISION E	REVISION BY IVAN GUERRA	DATE 10/30/15	TOLERANCES UNLESS OTHERWISE SPECIFIED: DEC. INCH mm ANGLE ±0.5° .X ±0.1 [±2.5] .XX ±0.03 [±0.76] .XXX ±0.005 [±0.127] .XXXX ±0.0005 [±0.0127] REMOVE BURRS & BREAK SHARP EDGES: .003/.015 [0.076/.381] X 45° CORNER FILLETS: R.02 [0.51] MACHINED SURFACES: 125 INCH mm 3.2 mm SHOWN IN [BRACKETS]	DRAWN BY IVAN GUERRA	Regal Beloit America, Inc.
ECO ECO-0087577	APPROVED BY	DATE	DATE 12/1/08	DATE	
ECO DESCRIPTION REMOVED BREATHER, ADDED DRAIN HOLES COPYRIGHT REGAL BELOIT AMERICA, INC. ALL RIGHTS RESERVED. PROPRIETARY AND CONFIDENTIAL INFORMATION - THIS DOCUMENT IS THE PROPERTY OF REGAL BELOIT AMERICA, INC. ("OWNER") AND CONTAINS OWNER'S PROPRIETARY INFORMATION. ANY PERSON, CORPORATION OR OTHER FIRM RECEIVING IT IS DEEMED, BY RECEIVING IT, TO AGREE THAT IT, AND/OR ANY PART OF IT, SHALL NOT BE DISCLOSED TO ANY PERSON, CORPORATION OR OTHER ENTITY, DUPLICATED, AND/OR USED, EXCEPT AS EXPRESSLY APPROVED IN WRITING IN ADVANCE BY OWNER. THIS DOCUMENT SHALL BE RETURNED TO OWNER UPON REQUEST. IT MAY BE SUBJECT TO CERTAIN RESTRICTIONS UNDER APPLICABLE EXPORT CONTROL LAWS AND REGULATIONS.			REFERENCE 030968	DESCRIPTION <b>OUTLINE</b> 48 FRAME DC	PROCESS/FINISH
			THIRD ANGLE PROJECTION	SIZE B	DRAWING NUMBER <b>031900</b>
					SHEET 1 OF 1