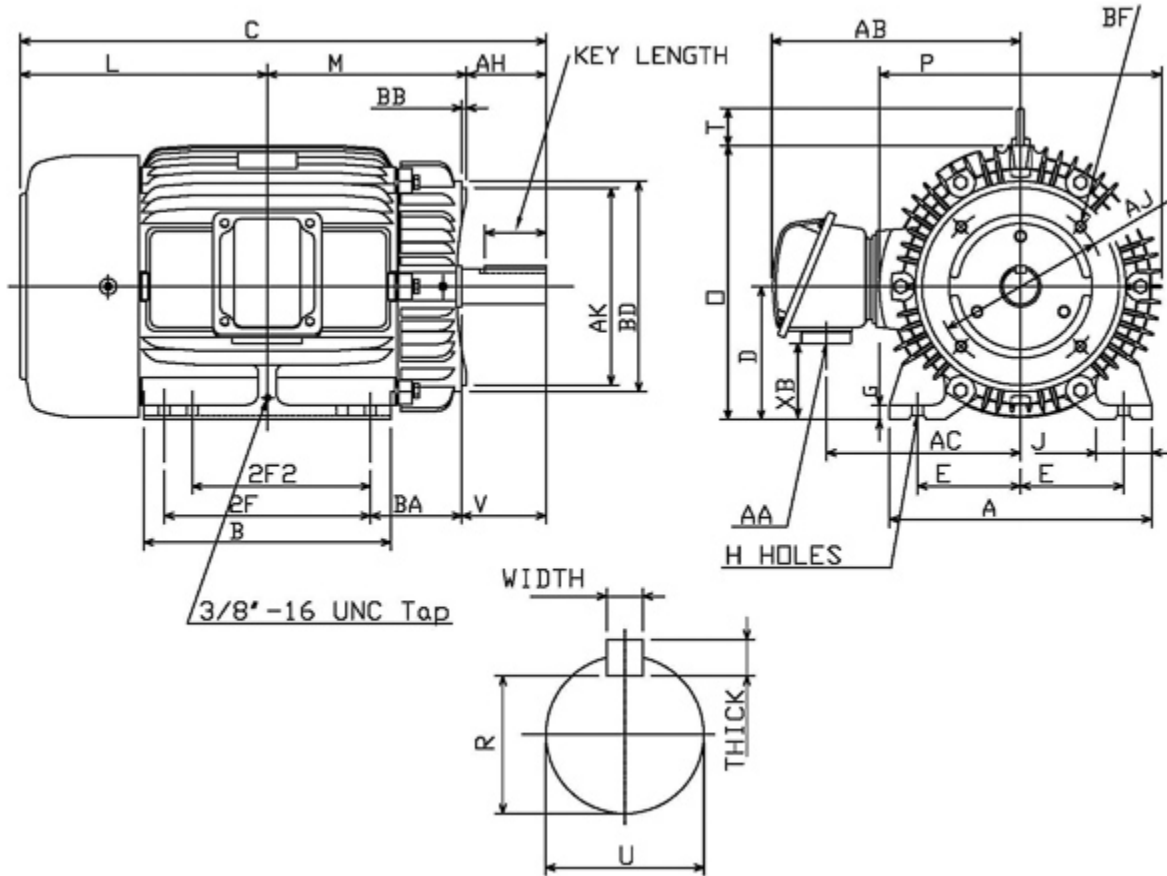


**Dimensional Drawing**

|           |        |    |      |    |            |         |    |      |
|-----------|--------|----|------|----|------------|---------|----|------|
| Catalogue | Model  | HP | Pole | kW | Rating     | Voltage | Hz | RPM  |
| APH0204C  | AEHH8R | 20 | 4    | 15 | Continuous | 460 V   | 60 | 1800 |



| Frame Size       | Mounting |      |          |         |                    | A           | B          | C     | CD                           | D          |         |
|------------------|----------|------|----------|---------|--------------------|-------------|------------|-------|------------------------------|------------|---------|
|                  | E        | 2F   | 2F2      | H       | BA                 |             |            |       |                              |            |         |
| 256TC            | 5        | 10   | 8.25     | 0.53    | 4.25               | 11.81       | 11.81      | 25.52 |                              | 6.25       |         |
| G                | J        | K    | L        | M       | O                  | P           | T          | Key   |                              |            | Keyseat |
|                  |          |      |          |         |                    |             |            | Width | Thick                        | Length     | R       |
| 0.66             | 1.95     |      | 12.27    | 8.93    | 12.8               | 13.15       | 2.01       | 0.375 | 0.375                        | 2.91       | 1.416   |
| Terminal Housing |          |      | Aux Box  |         |                    | C/D Flange  |            |       |                              |            |         |
| AA               | AB       | AC   | XB       | AE      | AX                 | BB          | AH         | AK    | BD                           | AJ         | BF      |
| NPT11/4"         | 11.3     | 8.86 | 3.22     |         |                    |             |            |       |                              |            |         |
| Shaft Extension  |          |      | Bearings |         | Approx. Weight Lbs | SPL dBA/3ft | Ins. Class | S.F.  | Drive Method                 | Dimensions |         |
| N-W              | U        | V    | DE       | NDE     |                    |             |            |       |                              |            |         |
| 4                | 1.625    | 3.9  | 6309ZC3  | 6307ZC3 | 337                | 65          | F          | 1.15  | Direct Coupling / Belt Drive | Inches     |         |

### Technical Data Sheet

Motor Type: AEHH8R

Catalogue No: APH0204C

#### Nameplate Information

|           |            |                |             |             |              |                |
|-----------|------------|----------------|-------------|-------------|--------------|----------------|
| HP        | Pole       | RPM            | Frame       | Voltage     | Hz           | Phase          |
| 20        | 4          | 1760           | 256TC       | 460         | 60           | 3              |
| Enclosure | Ins. Class | Service Factor | Time Rating | NEMA Design | Rated Amb.   | Rated Altitude |
| TEFC      | F          | 1.15           | Continuous  | B           | -40 to 40 °C | <3300 ft       |

#### Typical Performance

| Efficiency (%)    |                             |                                 |                                      | Power Factor (%)    |           |                                |
|-------------------|-----------------------------|---------------------------------|--------------------------------------|---------------------|-----------|--------------------------------|
| Full Load         |                             | 3/4 Load                        | 1/2 Load                             | Full Load           | 3/4 Load  | 1/2 Load                       |
| Nom.              | Min.                        |                                 |                                      |                     |           |                                |
| 93.0              | 91.7                        | 92.4                            | 92.4                                 | 87.5                | 84.5      | 78.5                           |
| Torque            |                             |                                 |                                      | Current (A)         |           |                                |
| Full Load (lb-ft) | Locked Rotor (% FLT)        | Pull Up (% FLT)                 | Break Down (% FLT)                   | No Load             | Full Load | Locked Rotor                   |
| 59.66             | 200                         | 145                             | 240                                  | 7.3                 | 23.0      | 145                            |
| NEMA KVA Code     | Inertia (WR <sup>2</sup> )  |                                 |                                      | Safe Stall Time (s) |           | Noise Level Sound Press. dB(A) |
|                   | Rotor (lb-ft <sup>2</sup> ) | NEMA Load (lb-ft <sup>2</sup> ) | Max. Allowable (lb-ft <sup>2</sup> ) | Cold                | Hot       |                                |
| G                 | 2.871                       | 99                              | 234                                  | 39                  | 27        | 65                             |

#### VFD Duty Information

| Speed Range     |                 |                | VFD     |              | S.F.     |
|-----------------|-----------------|----------------|---------|--------------|----------|
| Constant Torque | Variable Torque | Constant Power | Carrier | Type         |          |
| 6-60Hz          | 3-60Hz          | 60-120Hz       | ≤ 5 kHz | VPWM or CPWM | 1.0 Only |

#### Additional Information

| Bearings |         | Approx. Weight |
|----------|---------|----------------|
| DE       | NDE     | lbs            |
| 6309ZC3  | 6307ZC3 | 337            |

#### Hazardous Locations Information

| CSA Certified                             |           |
|---|-----------|
| Class I, Div 2, Groups B, C & D           |           |
| Class I, Zone 2, Groups IIB+H2, IIB & IIA |           |
| Temp Code (Sinewave / VFD)                | T3C / T3B |