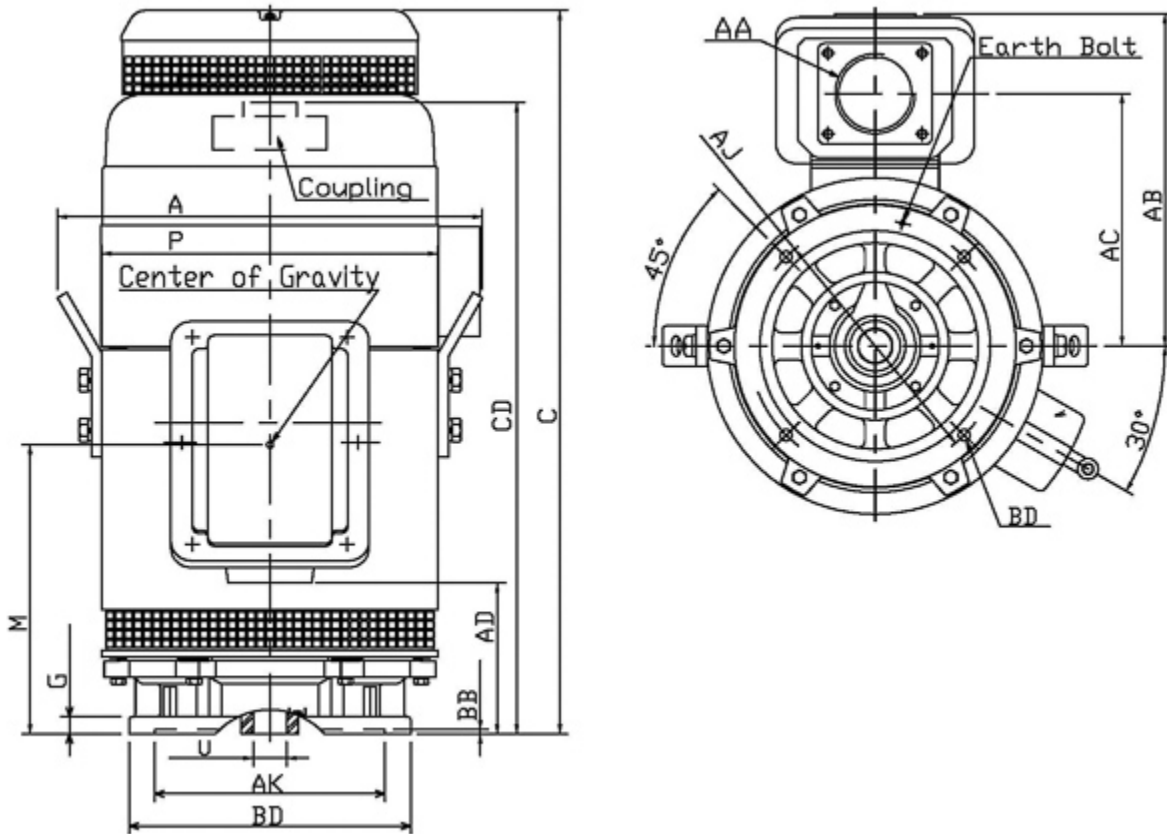


Dimensional Drawing

| Catalogue | Model | HP | Pole | kW | Rating | Voltage | Hz | RPM |
|-----------|--------|----|------|----|------------|-------------|----|------|
| VCN0756 | AMRCNH | 75 | 6 | 56 | Continuous | 230 / 460 V | 60 | 1200 |



| Frame Size | Mounting | | | | | A | B | C | CD | D | |
|------------------|----------|-------|----------|---------|--------------------|-------------|------------|-------|-----------------|------------|---------|
| | E | 2F | 2F2 | H | BA | | | | | | |
| 405TP | | | | | | 24.88 | | 42.32 | 36.94 | | |
| G | J | K | L | M | O | P | T | Key | | | Keyseat |
| | | | | | | 19.69 | | Width | Thick | Length | R |
| Terminal Housing | | | | Aux Box | | C/D Flange | | | | | |
| AA | AB | AC | XB | AE | AX | BB | AH | AK | BD | AJ | BF |
| 3" NPT | 19.41 | 14.76 | | | | 0.28 | | 13.5 | 16.5 | 14.75 | 0.69 |
| Shaft Extension | | | Bearings | | Approx. Weight Lbs | SPL dBA/3ft | Ins. Class | S.F. | Drive Method | Dimensions | |
| N-W | U | V | DE | NDE | | | | | | | |
| | 2 | | 6315C3 | 7322B | 1215 | | F | 1.15 | Direct Coupling | Inches | |

Technical Data Sheet

Motor Type: AMRCNH

Catalogue No: VCN0756

Nameplate Information

| | | | | | | |
|-----------|------------|----------------|-------------|-------------|--------------|----------------|
| HP | Pole | RPM | Frame | Voltage | Hz | Phase |
| 75 | 6 | 1180 | 405TP | 230 / 460 | 60 | 3 |
| Enclosure | Ins. Class | Service Factor | Time Rating | NEMA Design | Rated Amb. | Rated Altitude |
| WPI | F | 1.15 | Continuous | B | -40 to 40 °C | <3300 ft |

Typical Performance

| Efficiency (%) | | | | Power Factor (%) | | |
|-------------------|-----------------------------|---------------------------------|--------------------------------------|---------------------|--------------|--------------------------------|
| Full Load | | 3/4 Load | 1/2 Load | Full Load | 3/4 Load | 1/2 Load |
| Nom. | Min. | | | | | |
| 94.5 | 93.6 | 95.0 | 94.5 | 86.5 | 85.5 | 79.0 |
| Torque | | | | Current (A) | | |
| Full Load (lb-ft) | Locked Rotor (% FLT) | Pull Up (% FLT) | Break Down (% FLT) | No Load | Full Load | Locked Rotor |
| 333.70 | 220 | 200 | 250 | 51.2 / 25.6 | 171.8 / 85.9 | 1085 / 543 |
| NEMA KVA Code | Inertia (WR ²) | | | Safe Stall Time (s) | | Noise Level Sound Press. dB(A) |
| | Rotor (lb-ft ²) | NEMA Load (lb-ft ²) | Max. Allowable (lb-ft ²) | Cold | Hot | |
| G | 31.371 | 904 | 1317 | 17 | 12 | |

VFD Duty Information

| Speed Range | | | VFD | | S.F. |
|-----------------|-----------------|----------------|---------|--------------|----------|
| Constant Torque | Variable Torque | Constant Power | Carrier | Type | |
| | 22.5-60Hz: | | ≤ 3 kHz | VPWM or CPWM | 1.0 Only |

Additional Information

| Bearings | | Approx. Weight |
|----------|-------|----------------|
| DE | NDE | lbs |
| 6315C3 | 7322B | 1215 |

Hazardous Locations Information

| | |
|----------------------------|---|
| Temp Code (Sinewave / VFD) | / |
|----------------------------|---|