

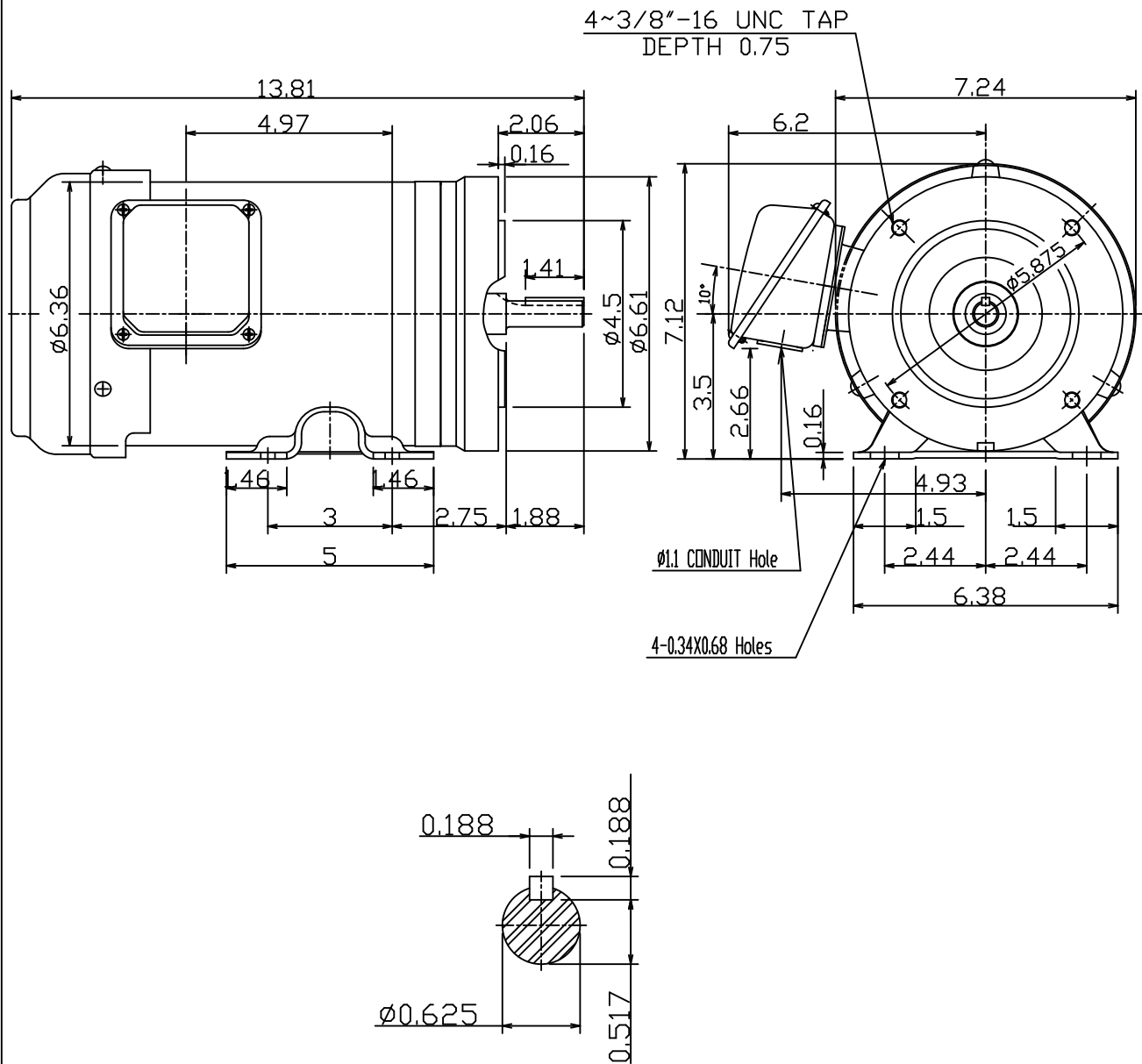
DATE: April 16, 2012
 CATALOG # GH1/54C

OUTLINE DIMENSIONS
 3-PHASE INDUCTION MOTOR

MOTOR TYPE: AEGHCF
 FRAME NO. 56C

Pole	HP	kW	Hz	VOLT	rpm/min
4	1.5	1.11	60	230/460	1800

Ins	Rating	Dimension in	Approx Weight	Bearings
F	CONT.	inch.	27	DE: 6205ZZ NDE: 6204ZZ



DWN.	陳奕元	03-01-11
CHKD.	陳敬元	03-01-11
APPD.	蔡明	03-01-11



DWG NO.
 31049Z107990