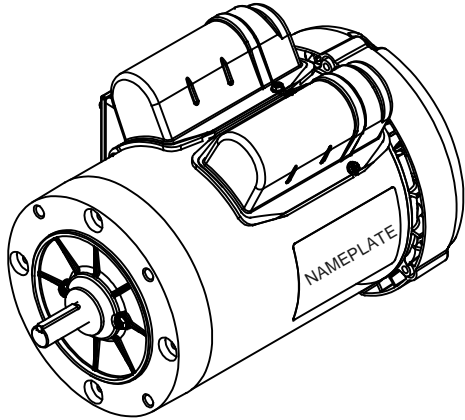
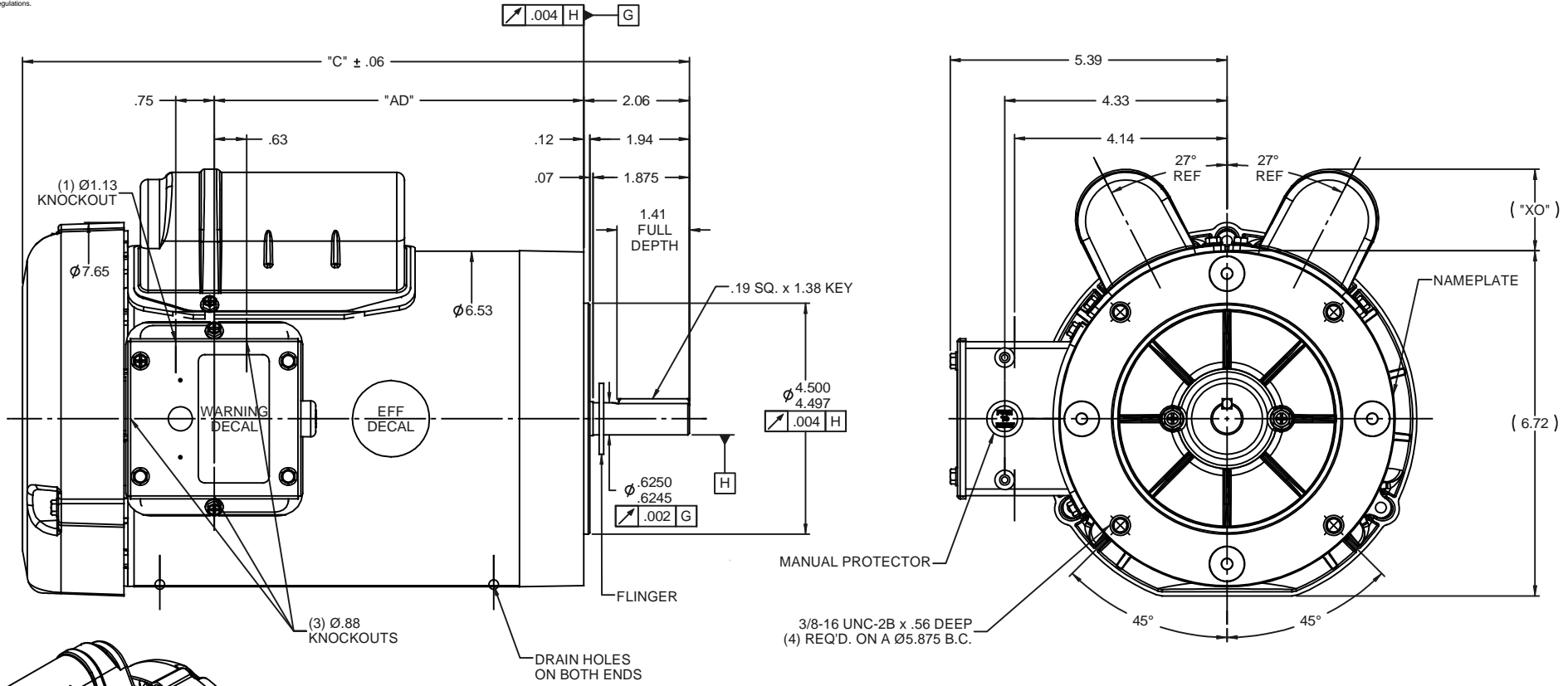


RBC PROPRIETARY AND CONFIDENTIAL INFORMATION
 This document is the property of REGAL BELOIT CORPORATION ("RBC") including its subsidiaries and divisions and contains proprietary information of RBC. This document is loaned on the express condition that neither it nor the information contained therein shall be disclosed to others without the express written consent of RBC, and that the information shall be used by the recipient only as approved expressly by RBC. This document shall be returned to RBC upon its request. This document may be subject to certain restrictions under U.S. export control laws and regulations.



DASH NO.	"C"	"AD"	CAP DASH	"XO"
700	12.49	6.69	A	1.15
750	12.99	7.19	B	1.60
800	13.49	7.69	C	1.82
850	13.99	8.19		

SPECIAL FEATURES:
 1) GASKETS THROUGHOUT
 2) MANUAL PROTECTOR
 3) FLINGER ON SHAFT

REVISION		BY & DATE	CHK	ANG	±1/2°	FINISH	NO	REV
THIRD ANGLE PROJECTION			RFP	12/15/08	PREV			
TOLERANCES UNLESS SPECIFIED							DRAWN GRB 12/15/08	
DEC INCHES							CHK DJ 12/15/08	
x ±.1							APPR DJ 12/15/08	
.xx ±.03							SCALE 1:2	
.xxx ±.005							REF OL110495	
.xxx ±.005							FMF 110495.00	
TITLE OUTLINE - 56C FRAME							PAGE 1 OF 1	
DASH FARM DUTY MOTOR							REV	
MATL							SIZE B	
NETWORK FILE NAME							DRAWING NO 028921	



ELECTRIC MOTORS
 GEARMOTORS
 AND DRIVES