

# Product Information Packet

November 9, 2016

Data shown is for the current revision model #. Ensure your nameplate model # matches.

<b>Model Number:</b>	<b>5KS143XAA120D2</b>
<b>Catalog Number:</b>	<b>M8904</b>
<b>Instruction Manual:</b>	GEI-56128
<b>Connection Diagram:</b>	GEM2034E-FIG1
<b>Outline Drawing:</b>	4002B5814PAP5311

Accessory Connection Diagrams			
<b>Bearing Thermocouple:</b>	None	<b>Heater:</b>	None
<b>RTD:</b>	None	<b>Thermistor:</b>	None
<b>Thermostat:</b>	None	<b>Winding Thermocouple:</b>	None
<b>Bearing RTD:</b>	None		

## Table of Contents

Specification	01
Performance Characteristics	02
Outline Drawing	03
Connection Drawing(s)	04
Spare parts	05



**Marks:**

<b>MODEL NUMBER:</b>	<b>5KS143XAA120D2</b>	<b>Estimated Weight:</b>	43 Lbs
<b>Outline Drawing:</b>	4002B5814PAP5311	<b>Time Rating:</b>	CONT
<b>Connection Diagram:</b>	GEM2034E-FIG1	<b>Enclosure:</b>	TEFC
<b>Instruction Book:</b>	GEI-56128	<b>Encl Construction:</b>	841
<b>Design Code:</b>	14BD0044B	<b>Ambient Max(°C):</b>	40
<b>Type:</b>	KS	<b>Alt Ambient Max(°C):</b>	--
<b>Frame:</b>	143T	<b>Insulation Class:</b>	H
<b>Phases:</b>	3	<b>NEMA Design:</b>	--
<b>Poles:</b>	2	<b>Nominal Efficiency:</b>	80 %
<b>Output Power:</b>	1HP 0.7KW	<b>Guaranteed Efficiency:</b>	78.5
<b>RPM:</b>	3515	<b>3/4 Load Efficiency:</b>	80.0
<b>Voltage:</b>	575	<b>KVA Code:</b>	N
<b>Hertz:</b>	60	<b>Max KVAR:</b>	0.4
<b>Amps - FL:</b>	1.2	<b>Power Factor:</b>	80.5
<b>Service Factor:</b>	1.15	<b>Bearing - DE:</b>	6205ZC3
<b>Alt Service Factor:</b>	--	<b>Bearing - ODE:</b>	6205ZC3

**Enclosure is Totally Enclosed Fan-Cooled**

**Stamped Nameplate Notes:**

DE BRG 25BC02JP30 ODE BRG 25BC02JP30  
 STAMP NP249A5564P051 AS BELOW:  
 MODEL:5KS143XAA120D2 S/N: XXX  
 CSA CERTIFIED CSA09.2216219 FOR EX NA IIC 200 C GC  
 CL1 ZONE2 AEXNAIIC 200C FOR CL1DIV2 GRP ABCD 200C  
 IN -25C <= AMB <= 40C, 1.0SF ON SINE-WAVE PWR  
 SURF TEMP 200 C AT 1.15 SF ON SINE-WAVE PWR  
 OR 200 C VT OR 200 C CT OR 200 C CHP PWM CONTROL  
 ALTERNATE RATING FOR PWM CONTROL 1.0SF 40 C AMB  
 VT 0-60 HZ, CT 3-60 HZ, CHP 60-90 HZ.  
 EXCEPTION TO IEEE-STD-841-2009: NEMA DESIGN "--"

**Additional Information:**

2P - T EXTN  
 STANDARD FLOOR MOUNT  
 C/BOX 30 CU IN-0.75 NPT  
 F1 CONDUIT BOX MOUNTING  
 PAINTED FRAME ID & SHAFT,  
 FAN COVER INSIDE & ODE E/S OUTSIDE  
 ROUTINE AND 5 POINT VIBRATION TESTS INCL IN C/BOX  
 INPRO SEAL BOTH ENDS  
 GROUND SCREW ON FRAME  
 SHAFT RUNOUT LIMIT .001" TIR  
 COPPER WASHER UNDER HEADS OF BEARING CAP BOLTS  
 APPLY TITE-SEAL (A50CD427A) ON BEARING CAP SCREWS, RABBETS,  
 AND PLUG THREADS  
 OIL RESISTANT SLEEVING ON LEADS



**Performance Characteristics**

1st Winding 1st Connection

**Design: 14BD0044B**

**Marks:**

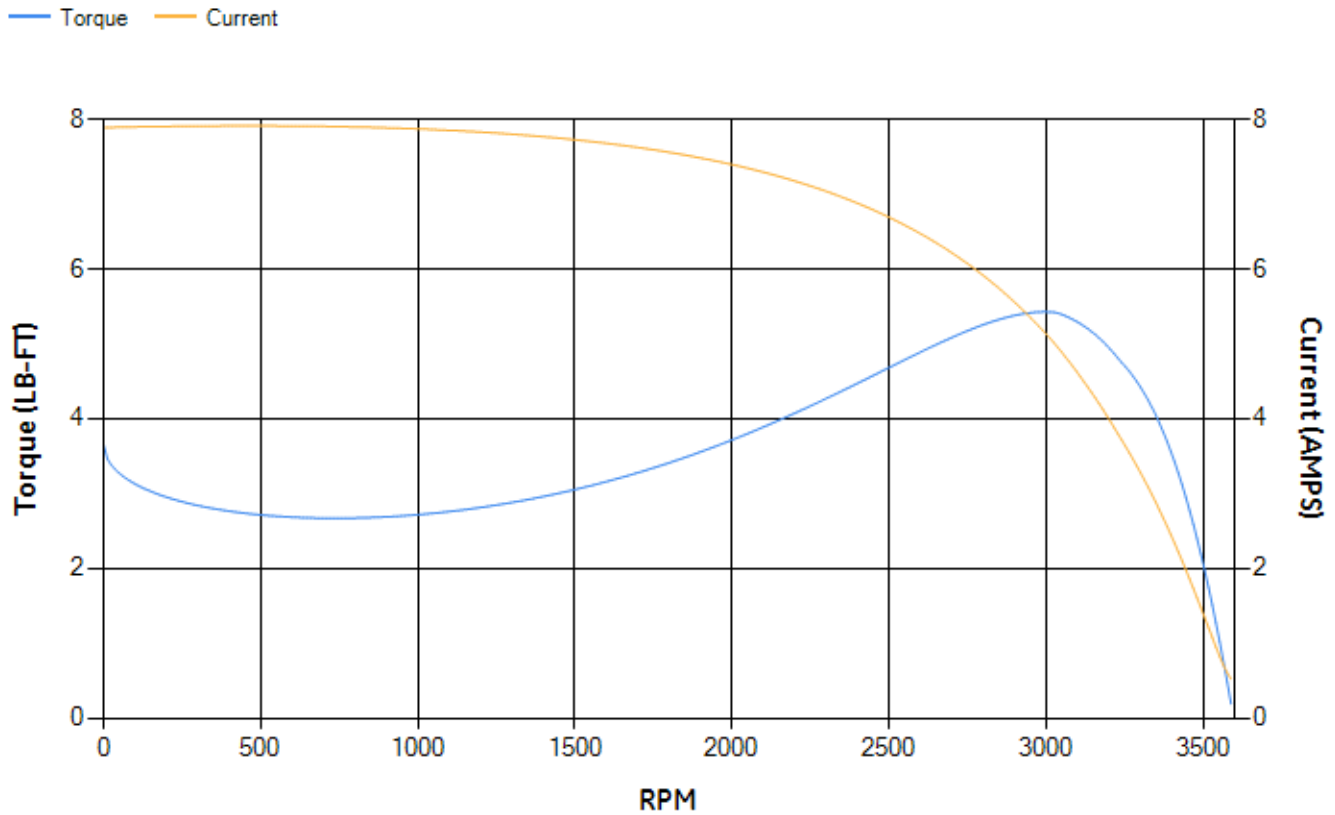
LOAD %	125.0	115.0	100.0	75.0	50.0	25.0	0.0
% EFF	80.22	80.55	80.96	80	76.62	65.58	0.00
% PF	84.26	83.07	84.37	74.42	63.29	44.1	17.23
AMPS	1.38	1.29	1.08	0.94	0.77	0.65	0.49

<b>TORQ(FL)#FT</b>	1.49	<b>TORQ(LR)%FL</b>	245.36	<b>TORQ(BD)%FL</b>	355.26
<b>AMPS(LR)</b>	7.89	<b>PF AT START</b>	0.56		

This motor is capable of two cold or one hot start with a maximum connected load inertia of 10 Lb-Ft Sq (0.42 Kg-meter Sq) at 100% voltage, where the load torque varies with the square of the speed. Acceleration time with maximum inertia and the above load type is 38 seconds. Safe stall time at 100% voltage is 84 seconds cold, 64 seconds hot. Rotor inertia is 0.03 Lb-Ft Sq (0 Kg-meter Sq).

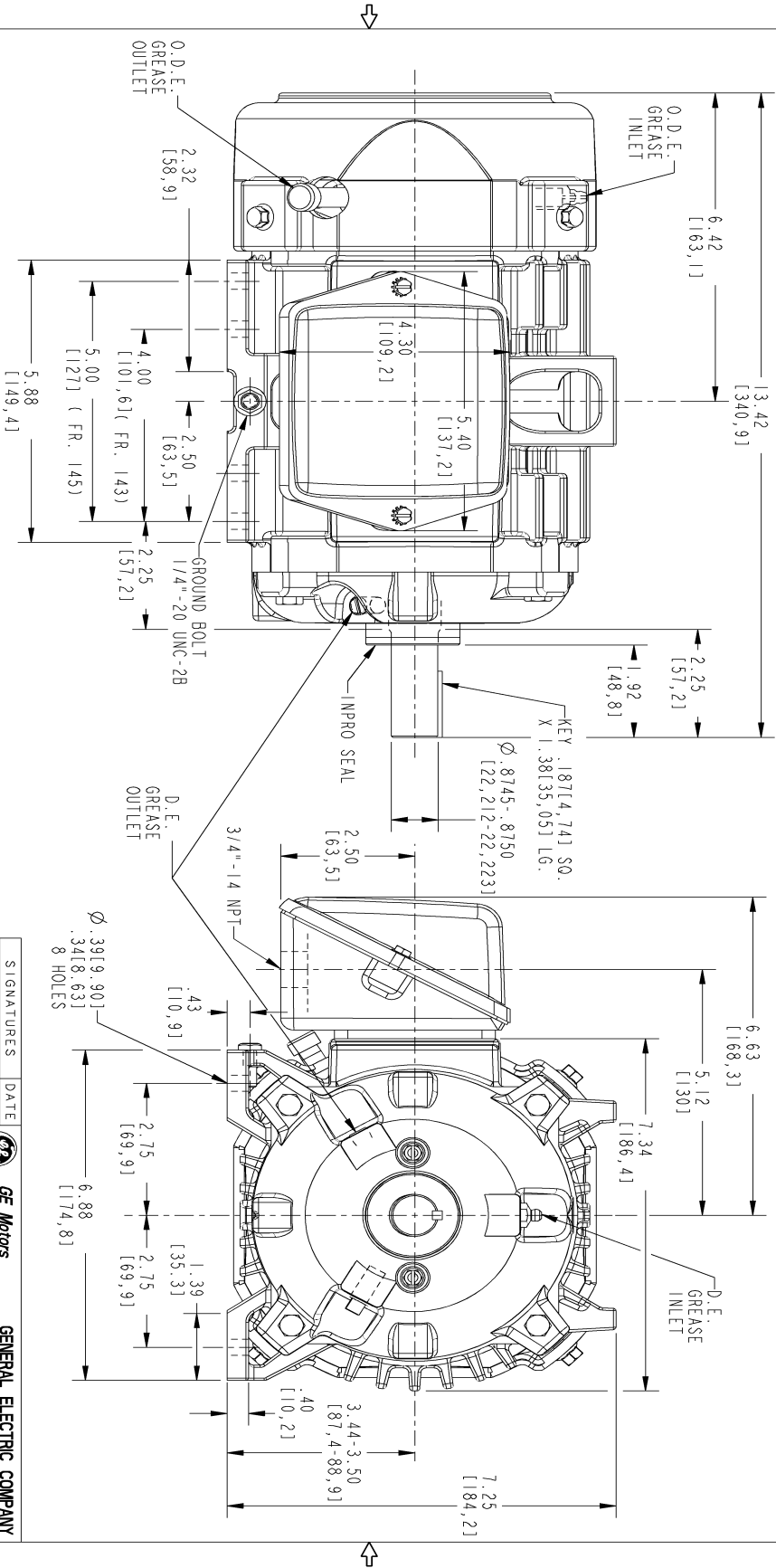
<b>Open Circuit A-C:</b>	0.236	<b>Short Circuit D-C:</b>	0.005
<b>Short Circuit A-C:</b>	0.011	<b>X/R Ratio:</b>	1.806
<b>Stator Slots:</b>	24	<b>Rotor Slots:</b>	34

**Speed Torque Current Curve (First Connection, First Speed)**

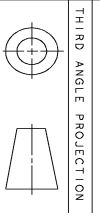


Marks:

NOTE 1: CONDUIT BOX MAY BE ASSEMBLED WITH ENTRANCE UP, DOWN OR TO EITHER SIDE.  
 NOTE 2: FL ASSEMBLY AS SHOWN.  
 NOTE 3: SHAFT RUNOUT WILL NOT EXCEED .001 I. I. R.  
 NOTE 4: ALL DIMENSIONS ARE IN INCHES, BRACKETED DIMENSIONS ARE IN METRIC (MILLIMETERS).



REV.	DESCRIPTION	DATE	APPROVED
1	ISAAC # 15-0944 HARIKIRAN	09/24/15	SAGAR

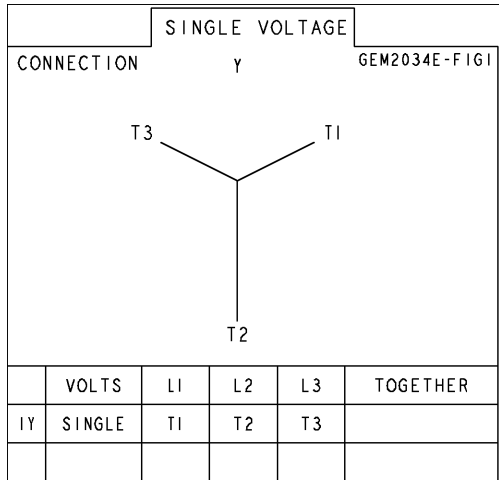


SIGNATURES	DATE	REV.	SHEET
TEJASNI	06/03/15	1	1
TEJASNI	06/03/15		
KARTHIK	06/03/15		
VENA	06/03/15		

**GE Motors**  
**GENERAL ELECTRIC COMPANY**  
**INDUCTION MOTOR OUTLINE**  
**STANDARD CONSTRUCTION FOR IEEE-841 SPEC**  
**FME: FR140T TFC**  
**4002B5814PAP5311**  
 SCALE: 0.500 REF. No.: 4002B5814PAP5301 SHEET 1 of 1

Marks:

**Connection Diagram**  
**GEM2034E-FIG1**



End shield Assembly		
Part Description	DE Side Part#	ODE Side Part#
End Shield	4004D5280PB1	4004D5280SG1
Bearing	235A2600AA01	235A2600AA01
Slinger/Inproseal	4002B5914AF1	4002B5914AG1

Fan & Fan Cover Assembly	
Part Description	Part#
Fan	4001A5914AM-G01
Fan Cover	4003C5785PA1

Conduit & Accessories Box Assembly	
Part Description	Part#
Conduit Box	4002B5718PA-G01

Mechanical Accessories	
Part Description	Part#
Brake	
Tachometer	