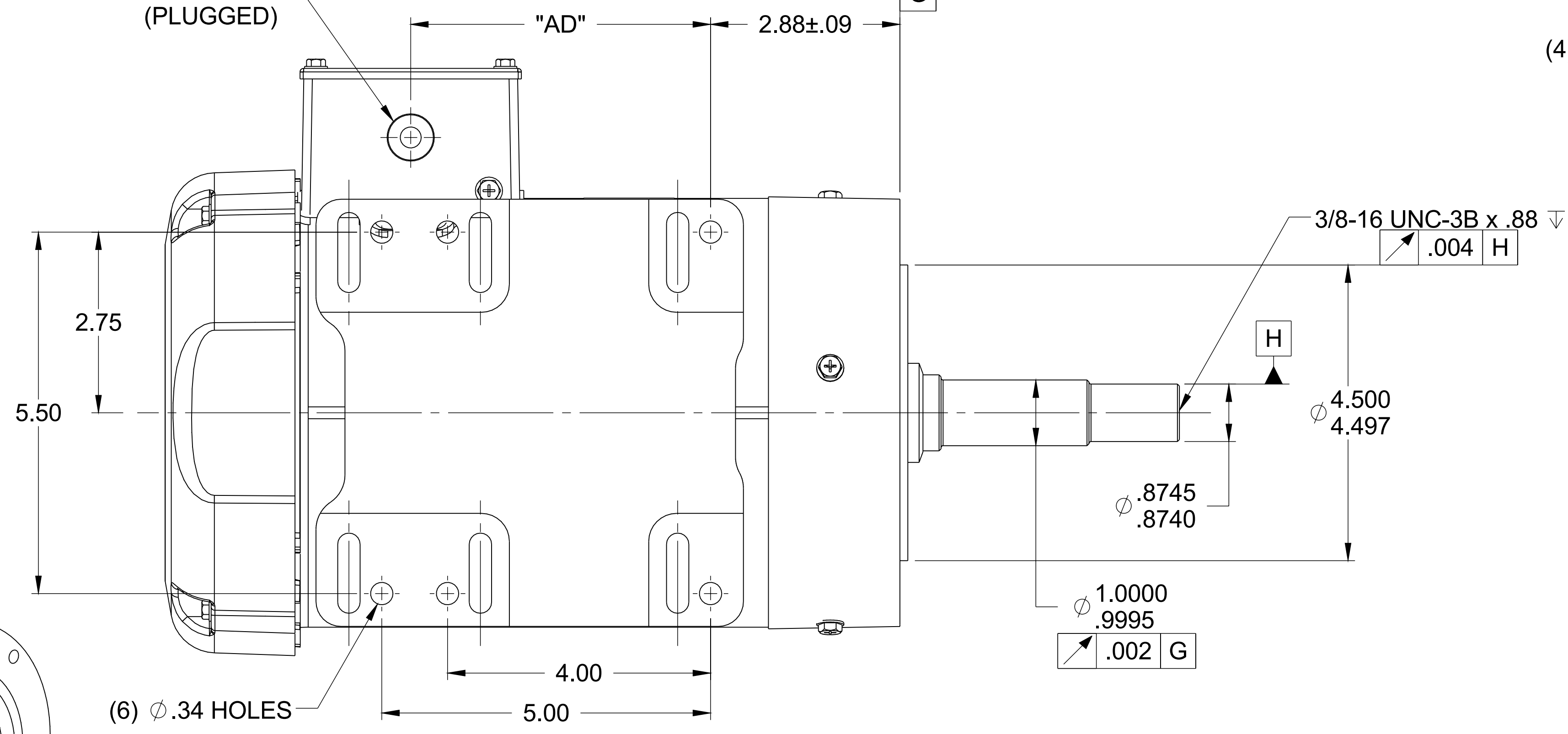
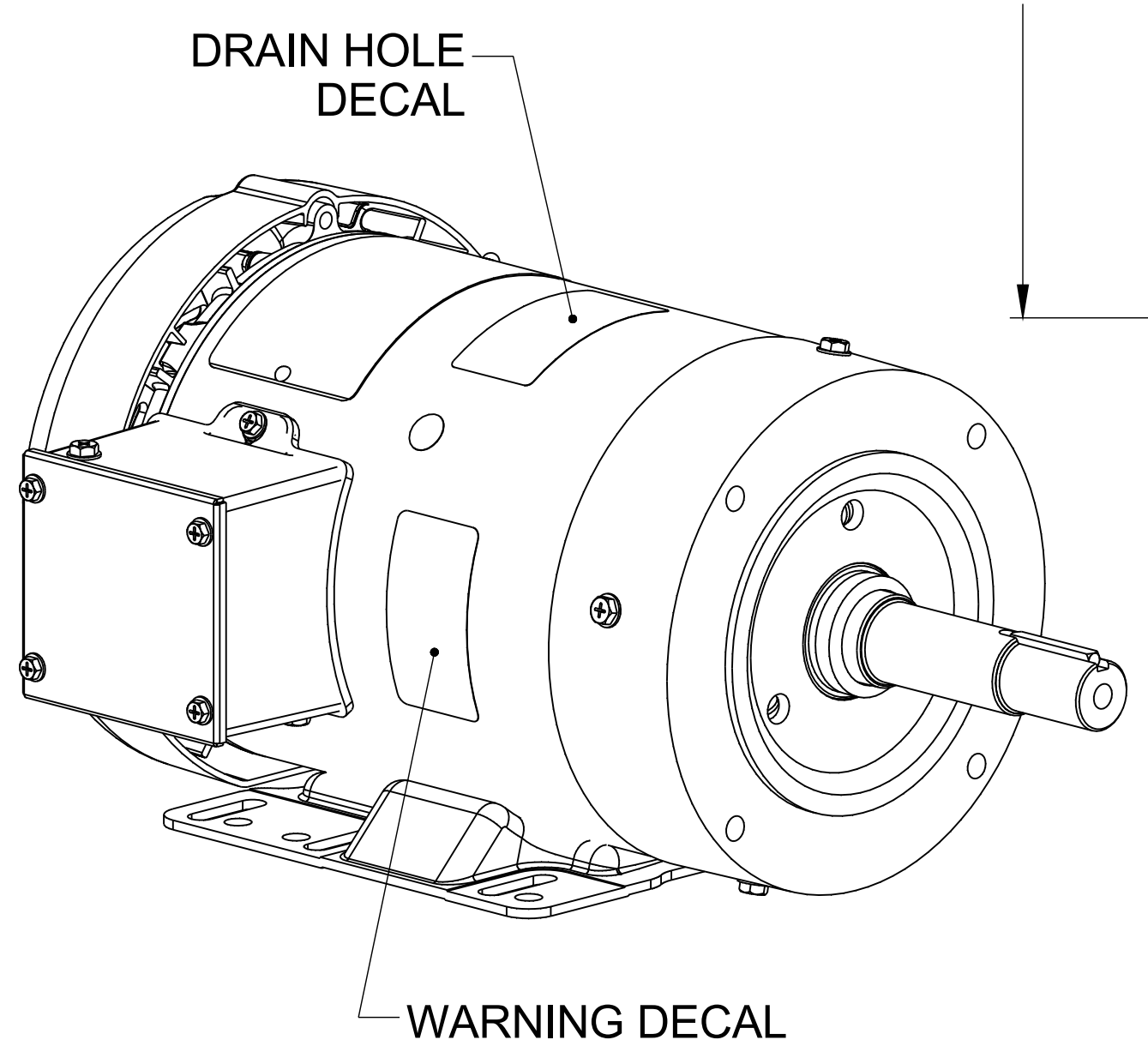


(1) 1/2-14 NPT CONDUIT HOLE (PLUGGED)



3/8-16 UNC-2B x .56 DEEP
(4) REQ'D. ON A ϕ 5.875 B.C.



WASHGUARD MOTOR

- SPECIAL FEATURES:
1. SHAFT SEALS & V-RING.
 2. PLUGGED DRAIN HOLES IN ENDBELLS & CONDUIT BOX.
 3. BUNA-N GASKETS THROUGHOUT.
 4. STAINLESS STEEL SHAFT, HARDWARE & NAMEPLATE.

DASH NO.	"C"	"AD"
700	15.43	4.56
750	15.93	5.06
800	16.43	5.56

TOLERANCES UNLESS SPECIFIED				marathon [®] electric		DRAWN	UD 12/27/12
DEC	INCHES					CHK	AB 12/27/12
.X	±.1					APPR	
.XX	±.03					SCALE	3:8
.XXX	±.005					REF	607-0013
.XXXX	±.0005					FMF	143TTWR14003
NO	REVISION	BY & DATE	CHK	ANG	±1/2°	PAGE	OF
			RFP		PREV	SIZE	DRAWING NO
						B	607-0013ME
						REV	

THIRD ANGLE PROJECTION

NETWORK FILE NAME 607-0013ME