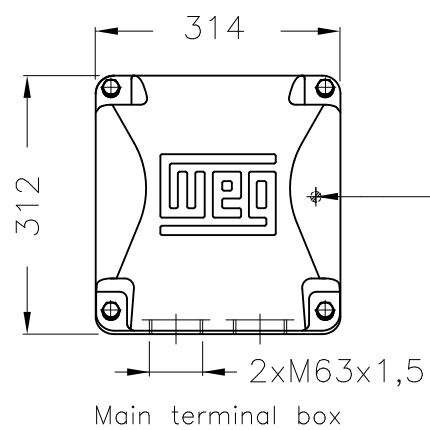
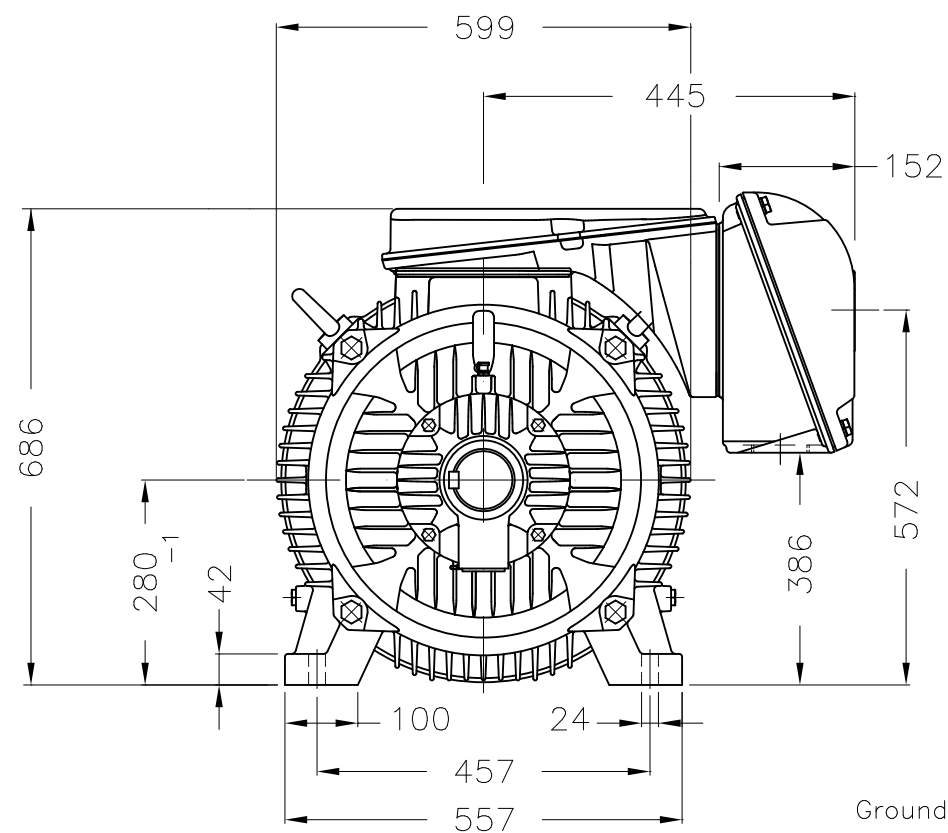
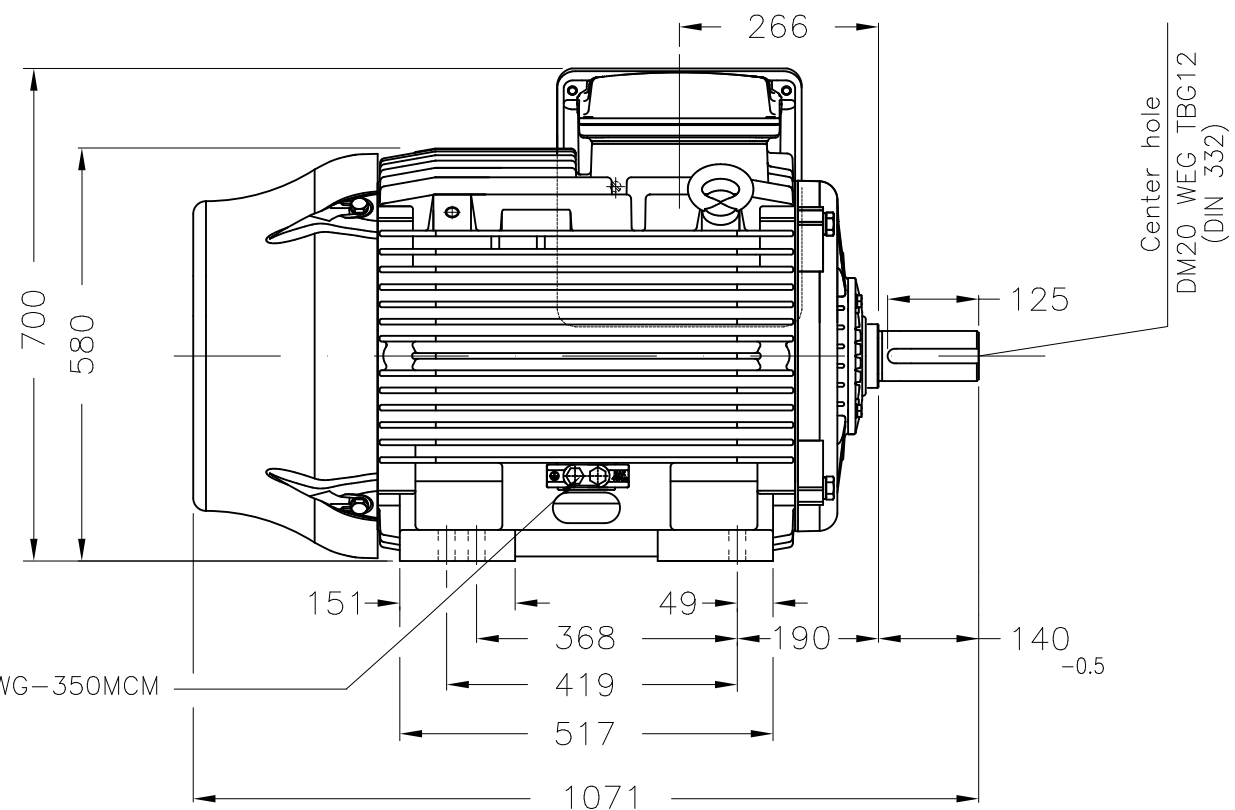


Dimensões em mm  
Dimensions in mm

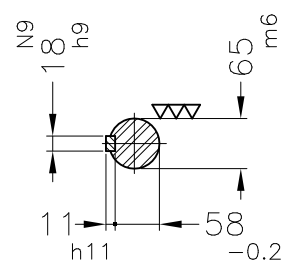
THIS IS AN UPDATED REVISION, THE  
PREVIOUS ONE MUST BE DISREGARDED.



Grounding for leads 35–70 mm<sup>2</sup> / 1–2/0 AWG

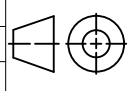


Grounding for leads 25–185 mm<sup>2</sup> / 3AWG–350MCM



DE Shaft End

Color RAL 5009  
Painting plan 203A  
Mounting B3L(E)

ECM	LOC	SUMMARY OF MODIFICATIONS			EXECUTED	CHECKED	RELEASED	DATE	VER
EXECUTED	USERADMIN	 THREE PHASE W22 TRU-METRIC PREMIUM EFF FRAME 280S/M IP55 TEFC WEG code: 11711384							
CHECKED									
RELEASED									
REL DT	24.07.2017	WMO	Jaragua do Sul	Product Engineering	SHEET	1 / 1			

100 HP 02 Poles 60Hz

A

