

Product Information Packet

November 8, 2016

Data shown is for the current revision model #. Ensure your nameplate model # matches.

| | |
|----------------------------|-----------------------|
| Model Number: | 5KS182XAA404D2 |
| Catalog Number: | M9482 |
| Instruction Manual: | GEI-56128 |
| Connection Diagram: | GEM2034E-FIG1 |
| Outline Drawing: | 4002B5818PAP5311 |

| Accessory Connection Diagrams | | | |
|--------------------------------------|------|------------------------------|------|
| Bearing Thermocouple: | None | Heater: | None |
| RTD: | None | Thermistor: | None |
| Thermostat: | None | Winding Thermocouple: | None |
| Bearing RTD: | None | | |

Table of Contents

| | |
|-----------------------------|----|
| Specification | 01 |
| Performance Characteristics | 02 |
| Outline Drawing | 03 |
| Connection Drawing(s) | 04 |
| Spare parts | 05 |



Marks:

| | | | |
|----------------------------|-----------------------|-------------------------------|---------|
| MODEL NUMBER: | 5KS182XAA404D2 | Estimated Weight: | 76 Lbs |
| Outline Drawing: | 4002B5818PAP5311 | Time Rating: | CONT |
| Connection Diagram: | GEM2034E-FIG1 | Enclosure: | TEFC |
| Instruction Book: | GEI-56128 | Encl Construction: | 841 |
| Design Code: | 18BD4017B | Ambient Max(°C): | 40 |
| Type: | KS | Alt Ambient Max(°C): | -- |
| Frame: | 182T | Insulation Class: | H |
| Phases: | 3 | NEMA Design: | B |
| Poles: | 8 | Nominal Efficiency: | 75.5 % |
| Output Power: | 1HP 0.7KW | Guaranteed Efficiency: | 74.0 |
| RPM: | 875 | 3/4 Load Efficiency: | 74.8 |
| Voltage: | 575 | KVA Code: | N |
| Hertz: | 60 | Max KVAR: | 1.4 |
| Amps - FL: | 2.0 | Power Factor: | 49.5 |
| Service Factor: | 1.15 | Bearing - DE: | 6206ZC3 |
| Alt Service Factor: | -- | Bearing - ODE: | 6206ZC3 |

Enclosure is Totally Enclosed Fan-Cooled

Stamped Nameplate Notes:

IEEE-STD-841-2009
 DE BRG 30BC02JP30 ODE BRG 30BC02JP30
 STAMP NP249A5564P051 AS BELOW:
 MODEL:5KS182XAA404D2 S/N: XXX
 CSA CERTIFIED CSA09.2216219 FOR EX NA IIC 200C GC
 CL 1 ZONE2 AEX NA IIC 200C;CL 1 DIV2 GRP ABCD 200C
 IN -25C <= AMB <= 40C, 1.0 SF ON SINE-WAVE PWR
 SURF TEMP 200C AT 1.15SF ON SINE-WAVE PWR
 OR 200 C VT OR 200 C CT OR 200 C CHP PWM CONTROL
 ALTERNATE RATING FOR PWM CONTROL 1.0SF 40C AMB
 VT 0-60 HZ, CT 3-60 HZ, CHP 60-90 HZ.

Additional Information:

8P - T EXTN
 STANDARD FLOOR MOUNT
 C/BOX 55 CU IN-1.00 NPT
 F1 CONDUIT BOX MOUNTING
 PAINTED FRAME ID & SHAFT,
 FAN COVER INSIDE & ODE E/S OUTSIDE
 ROUTINE AND 5 POINT VIBRATION TESTS INCL IN C/BOX
 INPRO SEAL BOTH ENDS
 GROUND SCREW ON FRAME
 SHAFT RUNOUT LIMIT .001" TIR
 COPPER WASHER UNDER HEADS OF BEARING CAP BOLTS
 APPLY TITE-SEAL (A50CD427A) ON BEARING CAP SCREWS, RABBETS,
 AND PLUG THREADS
 OIL RESISTANT SLEEVING ON LEADS

Performance Characteristics

1st Winding 1st Connection

Design: 18BD4017B

Marks:

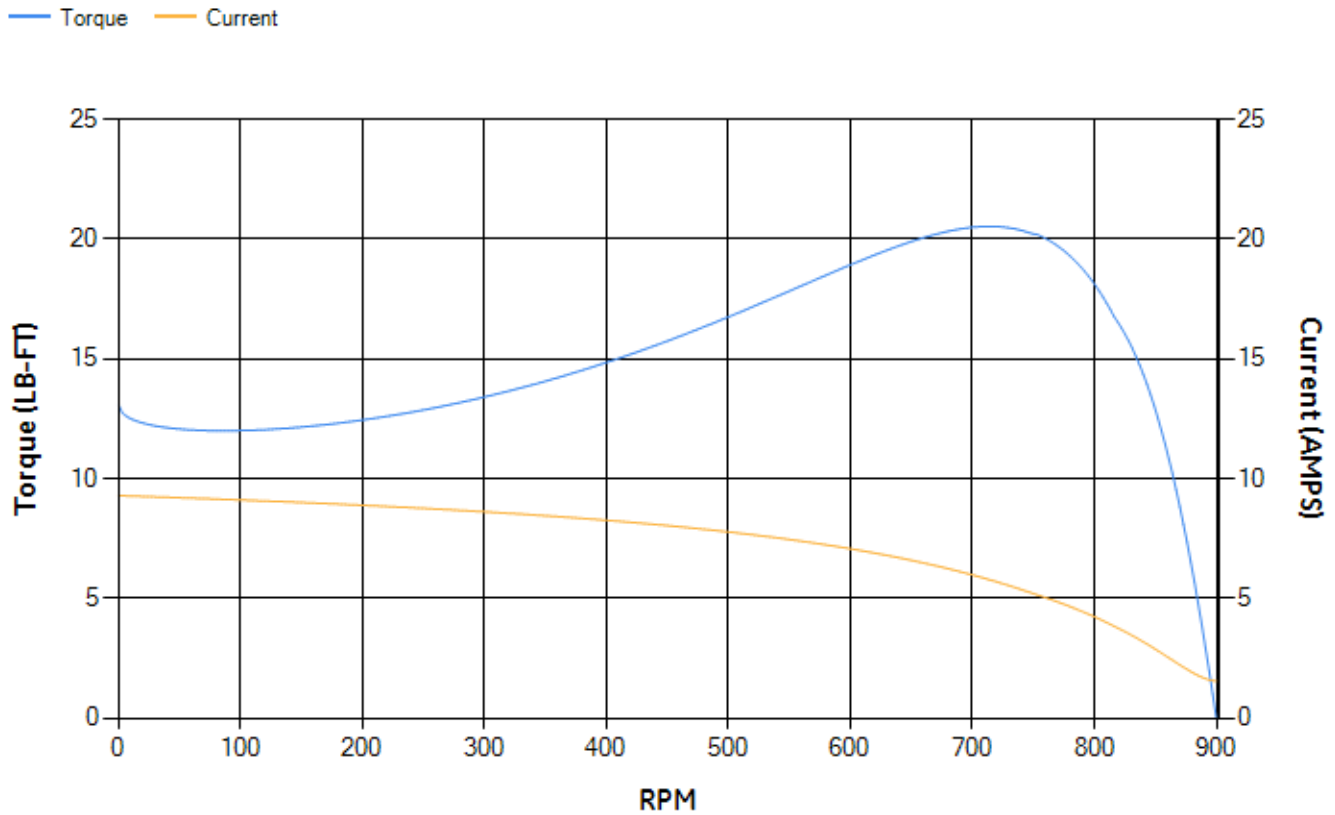
| LOAD % | 125.0 | 115.0 | 100.0 | 75.0 | 50.0 | 25.0 | 0.0 |
|--------|-------|-------|-------|-------|-------|-------|------|
| % EFF | 77.09 | 77.13 | 77 | 74.8 | 69.49 | 55.58 | 0.00 |
| % PF | 56.24 | 53.72 | 51.3 | 41.12 | 31.3 | 20.34 | 8.41 |
| AMPS | 2.16 | 2.08 | 1.9 | 1.83 | 1.72 | 1.66 | 1.54 |

| | | | | | |
|--------------------|------|--------------------|--------|--------------------|--------|
| TORQ(FL)#FT | 6 | TORQ(LR)%FL | 218.33 | TORQ(BD)%FL | 333.41 |
| AMPS(LR) | 9.29 | PF AT START | 0.51 | | |

This motor is capable of two cold or one hot start with a maximum connected load inertia of 158 Lb-Ft Sq (6.65 Kg-meter Sq)at 100% voltage, where the load torque varies with the square of the speed. Acceleration time with maximum inertia and the above load type is 34 seconds. Safe stall time at 100% voltage is 76 seconds cold, 53 seconds hot. Rotor inertia is 0.23 Lb-Ft Sq (0.01 Kg-meter Sq).

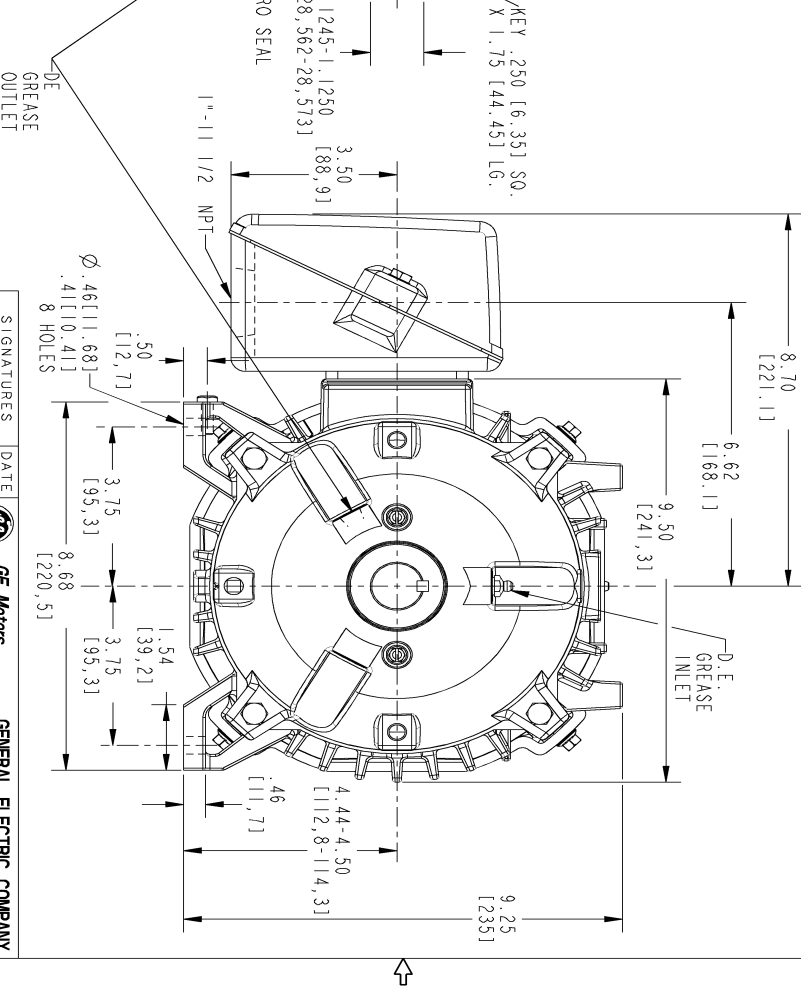
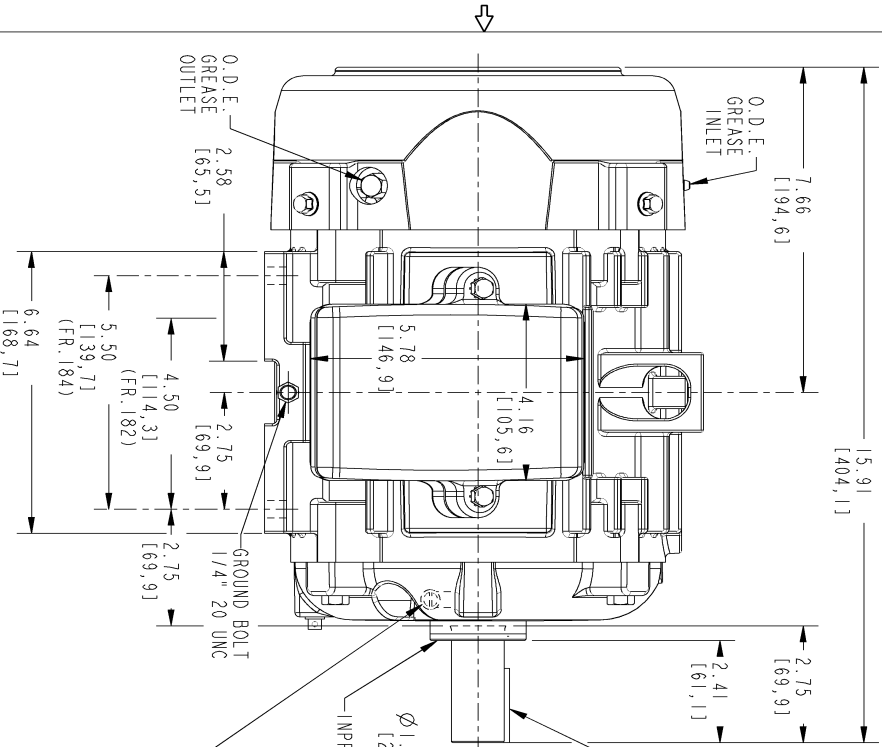
| | | | |
|---------------------------|-------|---------------------------|-------|
| Open Circuit A-C: | 0.082 | Short Circuit D-C: | 0.006 |
| Short Circuit A-C: | 0.012 | X/R Ratio: | 2.251 |
| Stator Slots: | 36 | Rotor Slots: | 48 |

Speed Torque Current Curve (First Connection, First Speed)



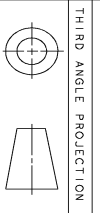
Marks:

NOTE 1: CONDUIT BOX MAY BE ASSEMBLED WITH ENTRANCE UP, DOWN OR TO EITHER SIDE.
 NOTE 2: F1 ASSEMBLY AS SHOWN. F2 ASSEMBLY CONDUIT BOX ON OPPOSITE SIDE FROM SHOWN LOCATION.
 NOTE 3: SHAFT RUNOUT WILL NOT EXCEED .001 T.I.R.
 NOTE 4: ALL DIMENSIONS ARE IN INCHES, BRACKETED DIMENSIONS ARE IN METRIC (MILLIMETERS).



| REVISIONS | | | |
|-----------|----------------|----------|-------------|
| REV. | DESCRIPTION | DATE | APPROVED |
| 1 | ISAAC #15-0731 | 07/17/15 | KARTHIK |
| 2 | ISAAC #16-0079 | 01/28/16 | SRAVANTHI D |

| | | | |
|------|--------------------|-----|-------|
| SIZE | DRAWING NO. | REV | SHEET |
| B | 4002B5818PAP5311 2 | 1 | 1 |



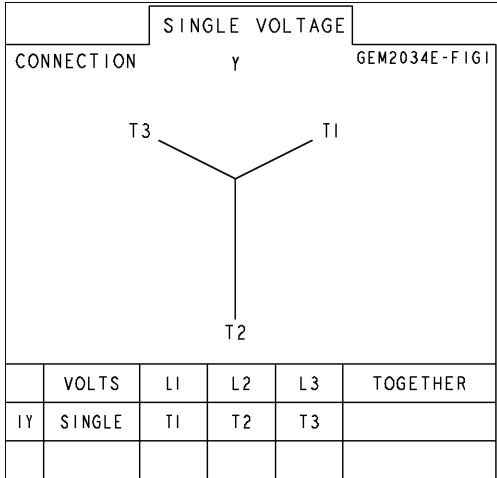
| | | | |
|------------------|---------|----------|--|
| SIGNATURES | | DATE | |
| MODEL | TEJASVI | 06/04/15 | |
| DETAIL | TEJASVI | 06/04/15 | |
| CHECKED | VENKAT | 06/04/15 | |
| ENGR | VENKAT | 06/04/15 | |
| QC | | | |
| QUALITY | TEJASVI | 06/04/15 | |
| ISSUED | | | |
| SHEET NO. 1 OF 1 | | | |

GE Motors GENERAL ELECTRIC COMPANY
INDUCTION MOTOR OUTLINE
 STANDARD CONSTRUCTION FOR IEEE-841 SPEC
 FR182/184 T TEFC
4002B5818PAP5311 2

SCALE: 0.400 REF. No.: 4002B5818PAP5301
 SHEET 1 OF 1

Marks:

Connection Diagram
GEM2034E-FIG1



| End shield Assembly | | |
|---------------------|---------------|----------------|
| Part Description | DE Side Part# | ODE Side Part# |
| End Shield | 4004D5281PB1 | 4004D5281SG1 |
| Bearing | 235A2602AA01 | 235A2602AA01 |
| Slinger/Inproseal | 4002B5914AF2 | 4002B5914AG2 |

| Fan & Fan Cover Assembly | |
|--------------------------|---------------|
| Part Description | Part# |
| Fan | 346L620AN-G01 |
| Fan Cover | 4003C5786PA1 |

| Conduit & Accessories Box Assembly | |
|------------------------------------|-----------------|
| Part Description | Part# |
| Conduit Box | 4002B5721PA-G01 |

| Mechanical Accessories | |
|------------------------|-------|
| Part Description | Part# |
| Brake | |
| Tachometer | |