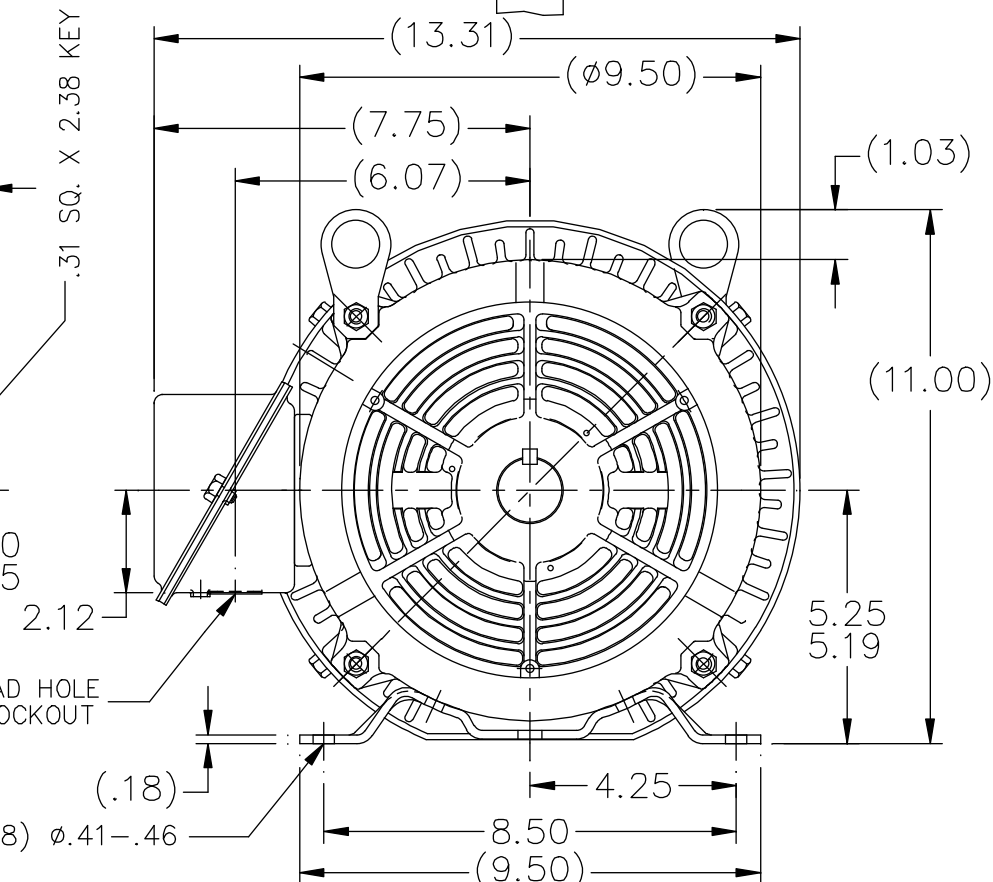
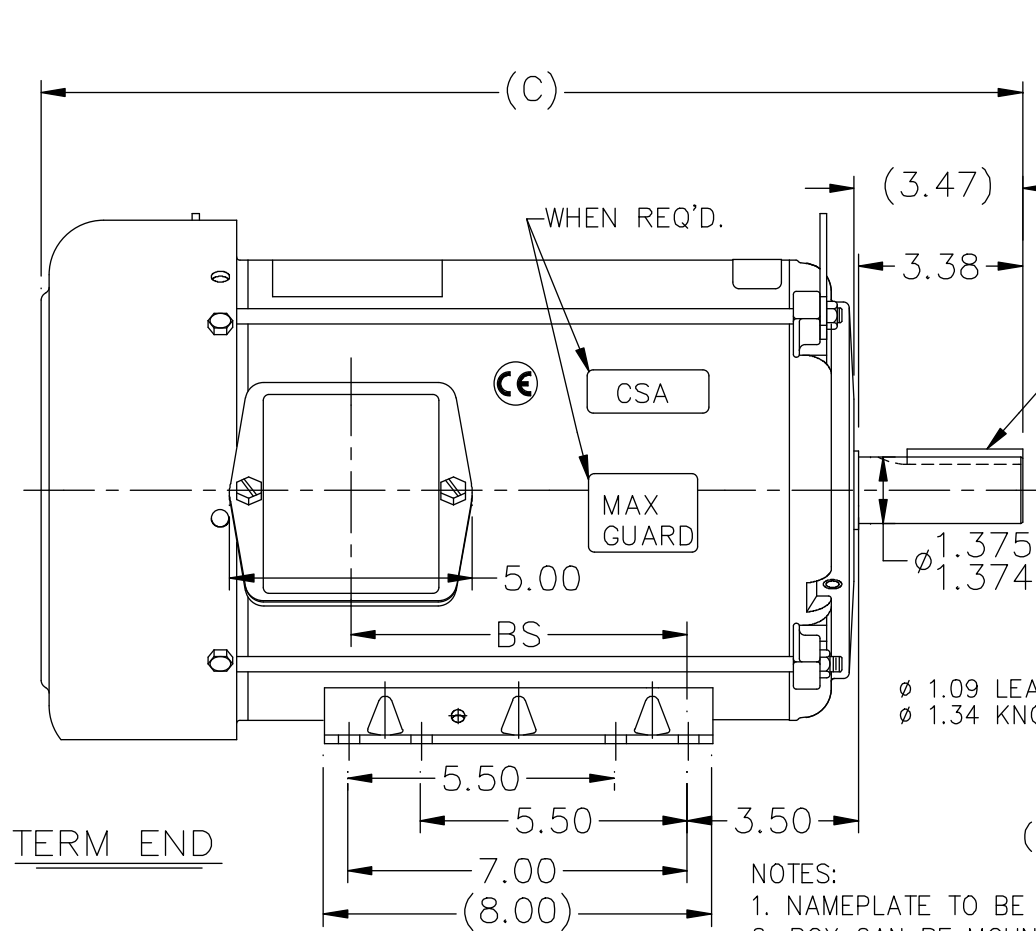


DASH	FR.	C	BS	MOUNTING
965	213T	18.73	5.43	
1115	213/15T	20.23	6.93	
1240	213/15T	21.48	8.18	F1 ONLY

SS89166



TERM END

- NOTES:
1. NAMEPLATE TO BE READ FROM C'BOX SIDE OF MOTOR.
  2. BOX CAN BE MOUNTED IN 90° STEPS.
  3. BOX CAN BE MOUNTED ON OPPOSITE SIDE BY REMOVING BRACKETS AND TURNING FRAME 180°. (EXCEPT AS NOTED)

				TOLERANCES UNLESS SPECIFIED		DRAWN R JW 02-09-2005	
				DEC.	INCHES	CHK ML 02-09-2005	
				.X	±.1	APPD LC 02-09-2005	
				.XX	±.03	SCALE 1=4	
				.XXX	±.005	REF MU64658	
				.XXXX	±.0005	FMF	
NO.	REVISION	BY & DATE	CHK	ANG	±7'30"	FINISH	PREV SS88286
			RFP	02-09-2005		CAD FILE SS89166	SIZE A
						DRAWING NO. PAGE OF	
						SS89166	
						REV.	

THIS DRAWING IN DESIGN AND DETAIL IS OUR PROPERTY AND MUST NOT BE USED EXCEPT IN CONNECTION WITH OUR WORK ALL RIGHTS OF DESIGN AND INVENTION ARE RESERVED THIS IS AN ELECTRONICALLY GENERATED DOCUMENT - DO NOT SCALE THIS PRINT