

Product Information Packet

November 8, 2016

Data shown is for the current revision model #. Ensure your nameplate model # matches.

Model Number:	5KS286SAA408D6
Catalog Number:	M9742
Instruction Manual:	GEI-56128
Connection Diagram:	GEM2034E-FIG7
Outline Drawing:	4002B5828PAP5201

Accessory Connection Diagrams			
Bearing Thermocouple:	None	Heater:	None
RTD:	None	Thermistor:	None
Thermostat:	None	Winding Thermocouple:	None
Bearing RTD:	None		

Table of Contents

Specification	01
Performance Characteristics	02
Outline Drawing	03
Connection Drawing(s)	04
Spare parts	05



Marks:

MODEL NUMBER:	5KS286SAA408D6	Estimated Weight:	510 Lbs
Outline Drawing:	4002B5828PAP5201	Time Rating:	CONT
Connection Diagram:	GEM2034E-FIG7	Enclosure:	TEFC
Instruction Book:	GEI-56128	Encl Construction:	X\$D
Design Code:	28BD4035A	Ambient Max(°C):	40
Type:	KS	Alt Ambient Max(°C):	65
Frame:	286T	Insulation Class:	H
Phases:	3	NEMA Design:	A
Poles:	8	Nominal Efficiency:	89.5 %
Output Power:	15HP 11.1KW	Guaranteed Efficiency:	88.5
RPM:	885	3/4 Load Efficiency:	90.5
Voltage:	460	KVA Code:	J
Hertz:	60	Max KVAR:	7.1
Amps - FL:	20.8	Power Factor:	75.5
Service Factor:	1.15	Bearing - DE:	6310ZC3
Alt Service Factor:	1.00	Bearing - ODE:	6310ZC3

Enclosure is Totally Enclosed Fan-Cooled

Stamped Nameplate Notes:

STAMP NP249A5564P051 AS BELOW:
 MODEL:5KS286SAA408D6 S/N: XXX
 CSA CERTIFIED CSA09.2216219 FOR EX NA IIC 200C GC
 CL 1 ZONE2 AEX NA IIC 200C;CL 1 DIV2 GRP ABCD 200C
 IN -40C <= AMB <= 40C, 1.0 SF ON SINE-WAVE PWR
 SURF TEMP 230C AT 1.15SF ON SINE-WAVE PWR
 OR 200C VT OR 215C CT OR 200C CHP PWM CONTROL
 ALTERNATE RATING FOR PWM CONTROL 1.0SF 40C AMB
 VT 0 - 60 HZ, CT 6-60 HZ, CHP 60-90 HZ.

Additional Information:

8P - T EXTN
 STANDARD FLOOR MOUNT
 C/BOX 137 CU IN-1.50 NPT
 F1 CONDUIT BOX MOUNTING
 OIL RESISTANT SLEEVING ON LEADS

Performance Characteristics

1st Winding 1st Connection

Design: 28BD4035A

Marks:

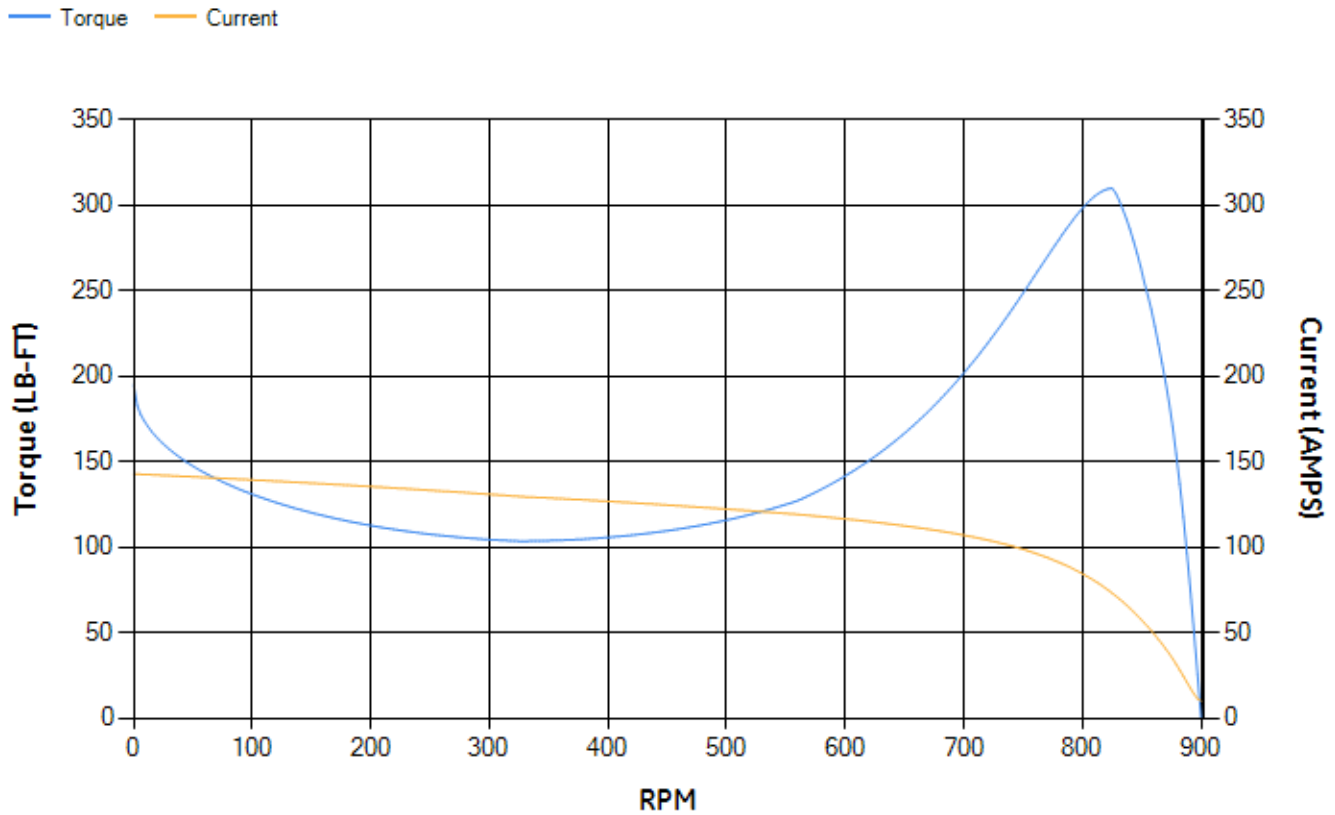
LOAD %	125.0	115.0	100.0	75.0	50.0	25.0	0.0
% EFF	87.52	88.32	89.54	90.5	90.57	87.2	0.00
% PF	78.22	77.36	75.35	69.26	57.51	36.3	4.01
AMPS	25.64	23.63	20.79	16.8	13.48	11.09	9.95

TORQ(FL)#FT	89.14	TORQ(LR)%FL	218.66	TORQ(BD)%FL	343.16
AMPS(LR)	142.68	PF AT START	0.36		

This motor is capable of two cold or one hot start with a maximum connected load inertia of 1047 Lb-Ft Sq (44.08 Kg-meter Sq)at 100% voltage, where the load torque varies with the square of the speed. Acceleration time with maximum inertia and the above load type is 25 seconds. Safe stall time at 100% voltage is 65 seconds cold, 37 seconds hot. Rotor inertia is 7.43 Lb-Ft Sq (0.31 Kg-meter Sq).

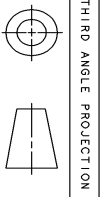
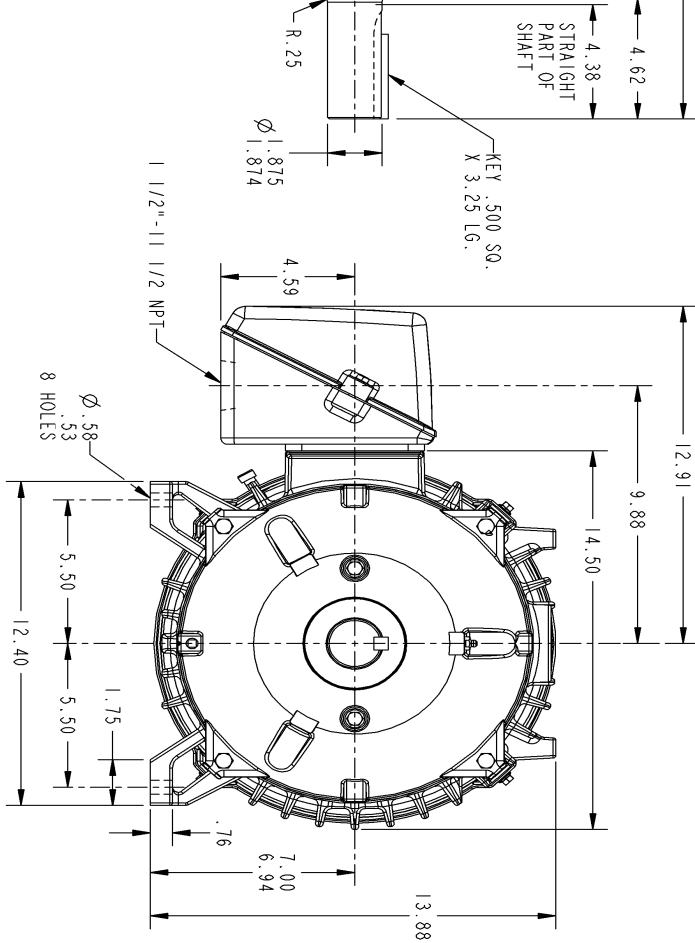
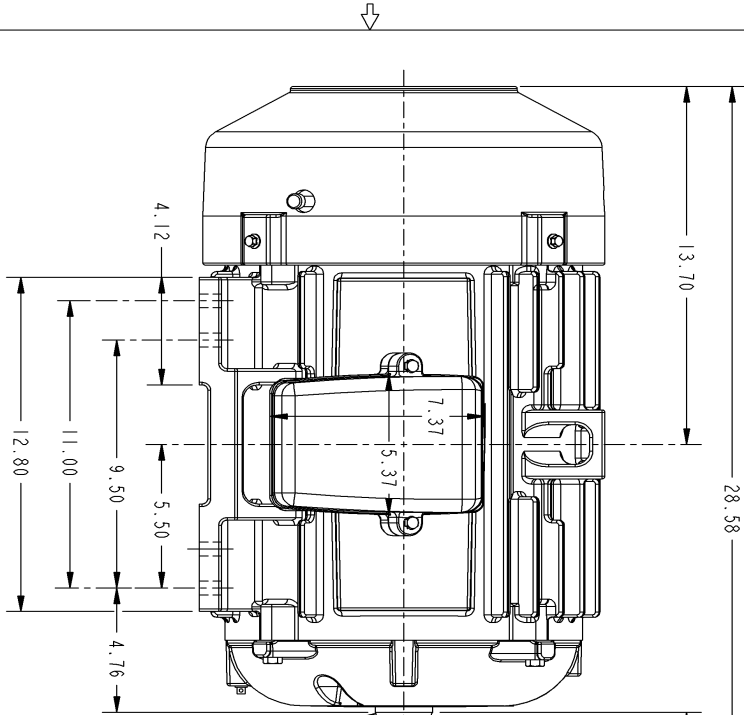
Open Circuit A-C:	0.293	Short Circuit D-C:	0.009
Short Circuit A-C:	0.02	X/R Ratio:	3.558
Stator Slots:	54	Rotor Slots:	70

Speed Torque Current Curve (First Connection, First Speed)



Marks:

NOTE 1: CONDUIT BOX MAY BE ASSEMBLED WITH ENTRANCE UP, DOWN OR TO EITHER SIDE.
 NOTE 2: F1 ASSEMBLY AS SHOWN. F2 ASSEMBLY CONDUIT BOX ON OPPOSITE SIDE FROM SHOWN LOCATION.



SIZE 0
 4002B5828PAP5201

SM 0
 REV

REV.	DESCRIPTION	DATE	APPROVED

SIGNATURES	DATE	REV.
DRWN GART WARDNER DEC 13/01		
CHECKED GART WARDNER FEB 28/02		
ISSUED GART WARDNER MAR 03/02		
APPLIED PRACTICES		

GE Industrial Systems GENERAL ELECTRIC COMPANY
 Fort Wayne, Indiana
INDUCTION MOTOR OUTLINE
 STANDARD CONSTRUCTION
 F.M.F. FR280T TFC XSD ULTRA
 SIZE DRAWING 4002B5828PAP5201
 SCALE: 0.250 REF. NO.: 4002B5828PAP5201 SHEET 1 OF 1

DISTRIBUTION: PMP-18K15

Marks:

Connection Diagram
GEM2034E-FIG7



End shield Assembly		
Part Description	DE Side Part#	ODE Side Part#
End Shield	4004D5284PB1	4004D5284SE1
Bearing	235A2608AA01	235A2608AA01
Slinger/Inproseal	149C4399G03	149C4399G03

Fan & Fan Cover Assembly	
Part Description	Part#
Fan	159C6900G01
Fan Cover	4003C5789PA1

Conduit & Accessories Box Assembly	
Part Description	Part#
Conduit Box	4002B5728PA-G01

Mechanical Accessories	
Part Description	Part#
Brake	
Tachometer	