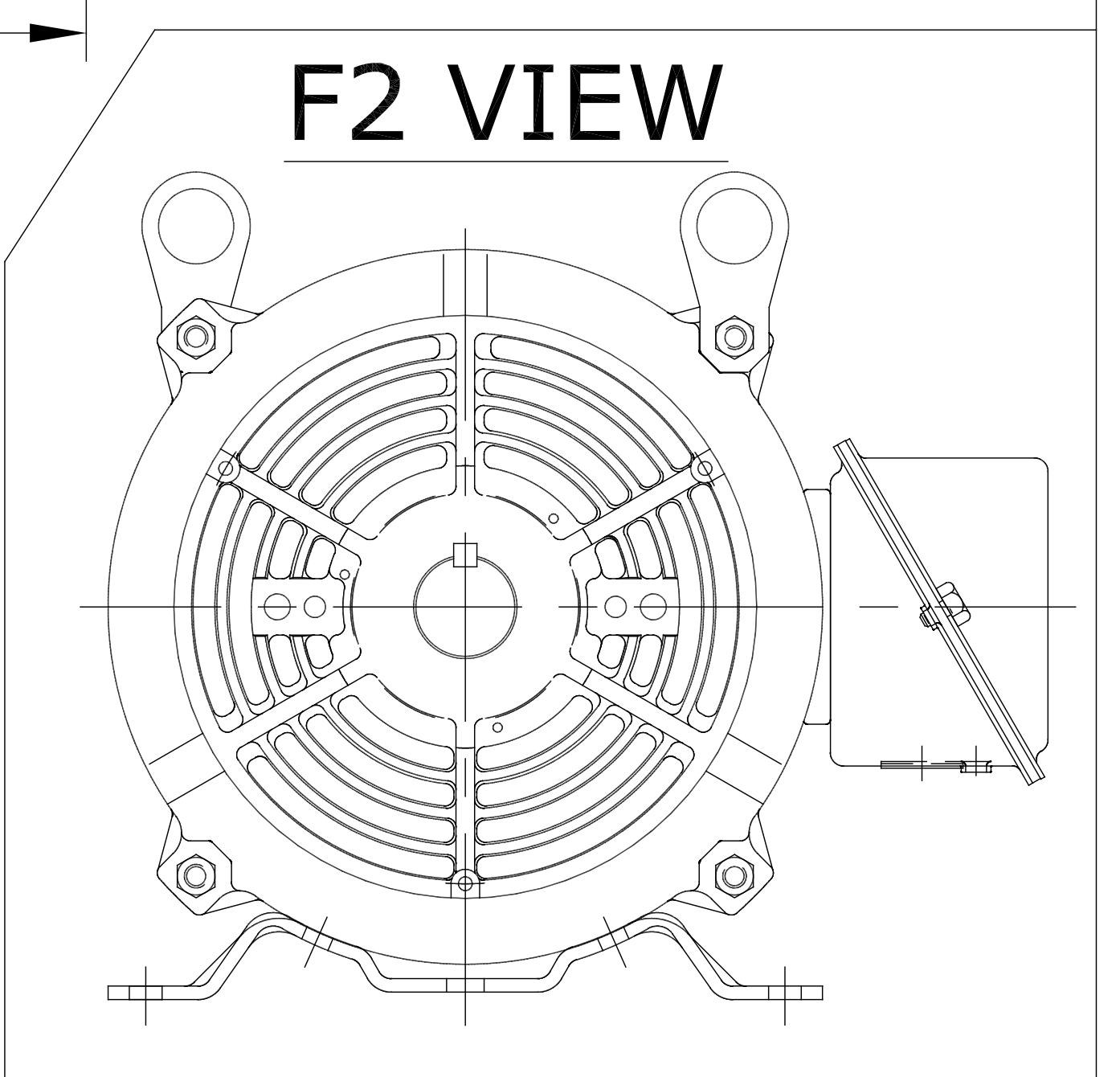



038120

- NOTES:
1. NAMEPLATE TO BE READ FROM C'BOX SIDE OF MOTOR.
 2. BOX CAN BE MOUNTED IN 90° STEPS.
 3. BOX CAN BE MOUNTED ON OPPOSITE SIDE BY REMOVING BRACKETS AND TURNING FRAME 180°. (EXCEPT AS NOTED.)



DASH	FR.	C	BS	MOUNTING
1545	215T	21.60	11.23	F1 OR F2 ONLY

12	TOLERANCES UNLESS SPECIFIED		 Regal Beloit America, Inc.	DRAWN SR 11/10/2016			
	DEC.	INCHES		CHK SR 11/10/2016			
	.X	±.1		APPD SR 11/10/2016			
	.XX	±.03		SCALE 1=4			
	.XXX	±.005		REF			
		.XXXX	±.0005	MAT'L.	FMF		
NO.	REVISION	BY & DATE	CHK	ANG	±7'30"	FINISH	PREV

THIS DRAWING IN DESIGN AND DETAIL IS OUR PROPERTY AND MUST NOT BE USED EXCEPT IN CONNECTION WITH OUR WORK ALL RIGHTS OF DESIGN AND INVENTION ARE RESERVED THIS IS AN ELECTRONICALLY GENERATED DOCUMENT - DO NOT SCALE THIS PRINT

RFP	CAD FILE 298-0360	SIZE A	DRAWING NO. 038120	PAGE 1 OF 1	REV. --
DIST LB					