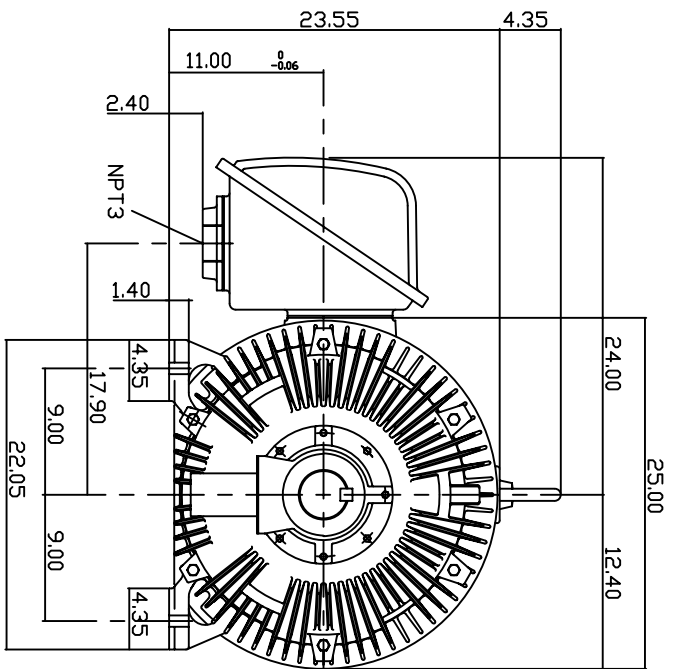
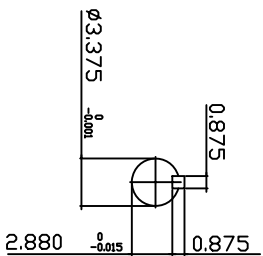
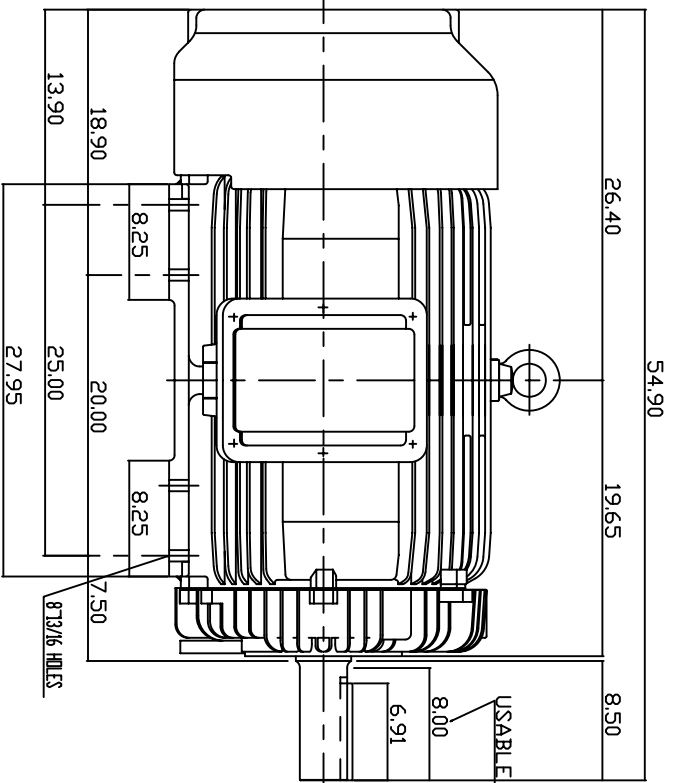


TYPE	OUTPUT		POLE	TIME RATING	VOLTAGE V	Hz	SYN SPEED R.P.M
	HP.	KW.					
AEH8N	300	223.8	1800	CONT.	460	60	1800

TOTALLY ENCLOSED FAN-COOLED TYPE, SQUIRREL-CAGE ROTOR



NOTE:

1. DIMENSIONS IN INCH
2. FRAME NO. 449T
3. F CLASS INSULATION, S.F.115
4. FOR BELTED SERVICE
5. ENCLOSURE: IP54
6. BEARING SIZE: DRIVE END: NU320  
NON-DRIVE END: 6316
7. APPROX. WEIGHT: 3450 LBS

TW-56C

DWN.	J. WANG	JAN -28 -2005
CHKD.	H. HUANG	JAN -28 -2005
APPD.	C. WANG	JAN -28 -2005

DATE 20050617  
CATALOG # EP3004R

OUTLINE DIMENSIONS  
3-PHASE INDUCTION MOTOR



DWG NO. 3A040Y647  
REV. 00