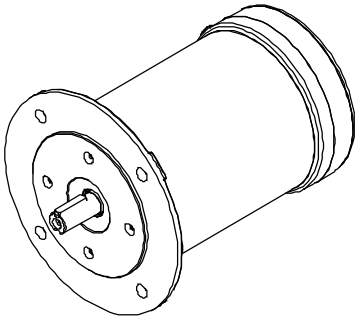


DASH NO.	"C"	"AD"
550	9.72	6.75
600	10.22	7.25
650	10.72	7.75
700	11.22	8.25
725	11.47	8.50
750	11.72	8.75



NO		REVISION	BY & DATE	CHK	LANG	±1/2°	FINISH			DRAWN PVR 10/09/13 CHK JD 10/09/13 APPR SCALE 1:4 REF 031996 FMF 080117V5326 PAGE 1 OF 1
TOLERANCES UNLESS SPECIFIED DEC INCHES .X ±.1 .XX ±.03 .XXX ±.005 .XXXX ±.0005				TITLE OUTLINE - PREMIUM DUCK IEC 80- B5 FRAME- ROUND		MAT'L PREV		SIZE B	DRAWING NO <b>031996ME</b>	REV
THIRD ANGLE PROJECTION				NETWORK FILE NAME 031996ME		RFP				