

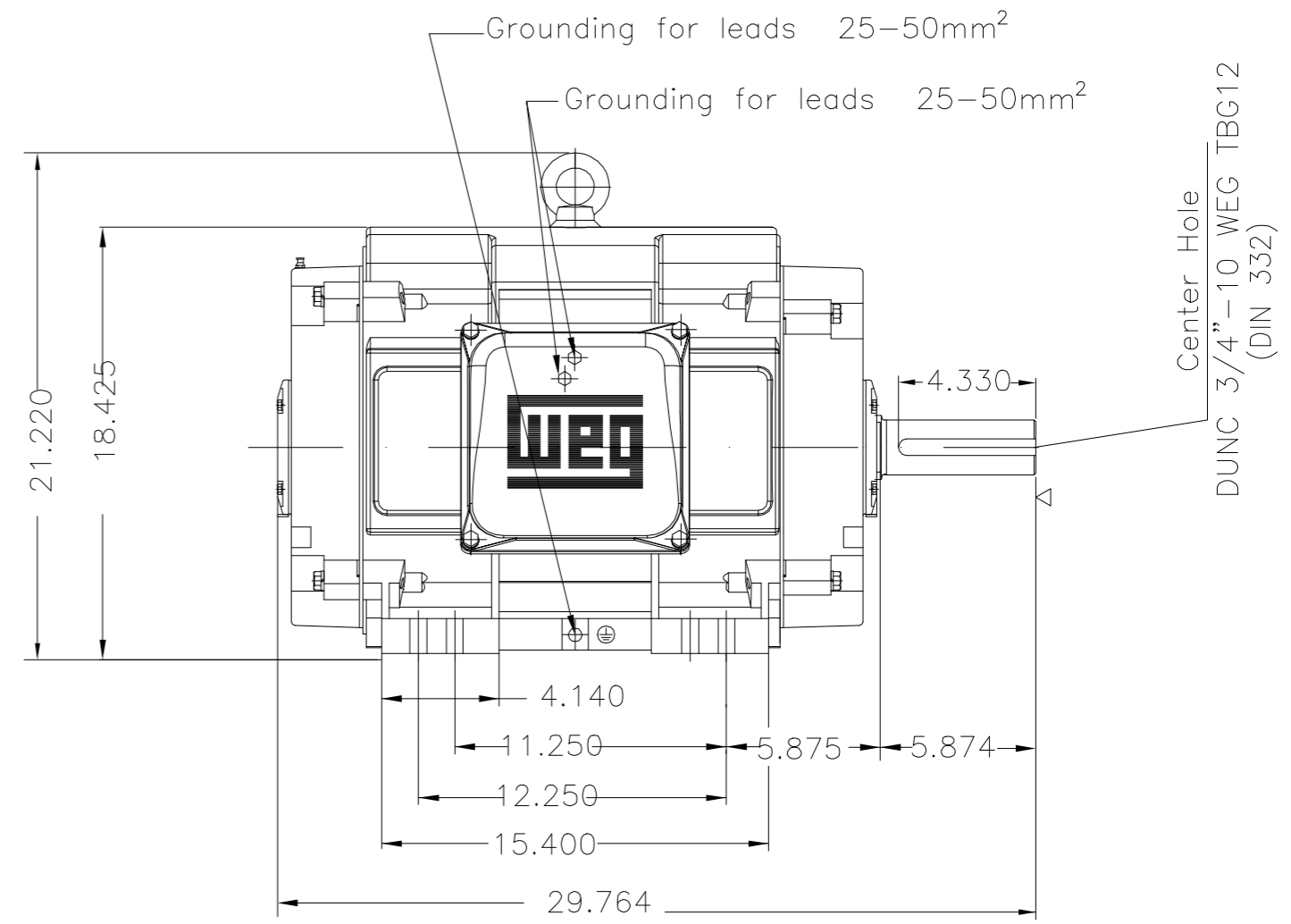
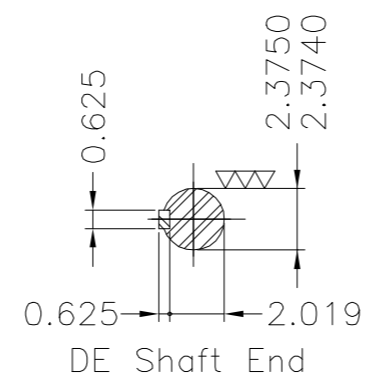
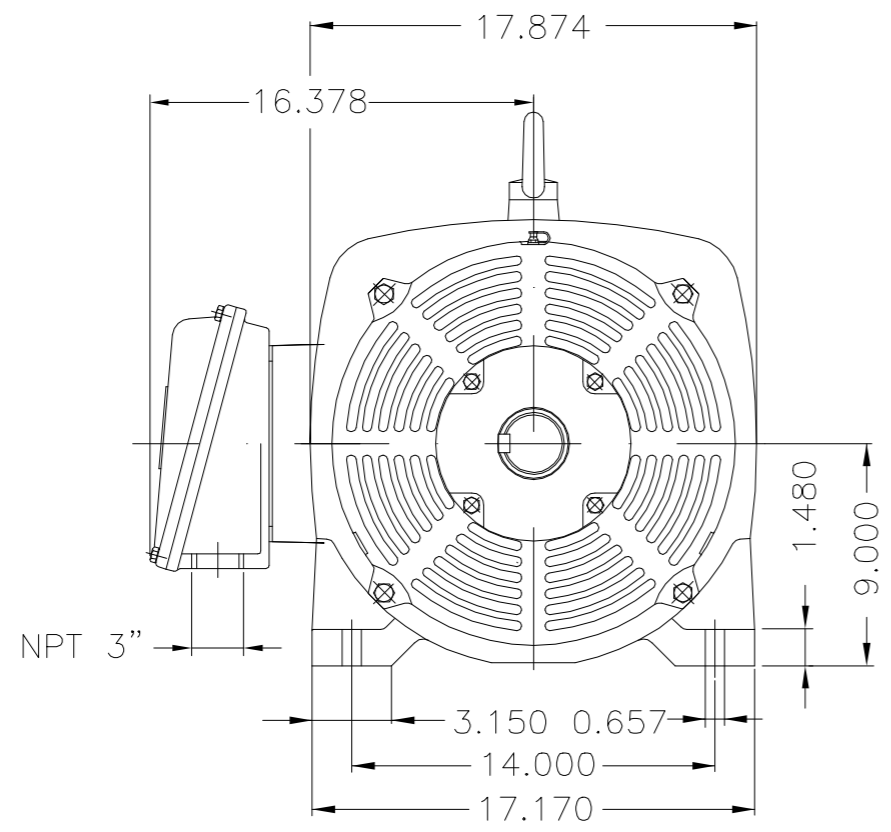
EIXO/SHAFT	
PADRÃO/STANDARD	X
OPCIONAL/OPTIONAL	
ESPECIAL/SPECIAL	

Dimensões em polegadas
Dimensions in inches

CERTIFIED WEG MOTORES
Certified document.
Not subject to changes.

THIS IS AN UPDATED REVISION, THE PREVIOUS ONE MUST BE DISREGARDED.

A
B
C
D
E



Kit porta escova de aterramento AEGIS SGR-79.9-3MFH / Brush holder kit AEGIS SGR-79.9-3MFH
Anel interno especial de fixação do rolamento dianteiro /
Special internal fastening bearing cap of DE bearing
Plano de pintura 203A / Painting plan 203A
Forma construtiva NEMA F-1 / Mounting NEMA F-1
Forma construtiva B3D / Mounting B3R(D)

WEG ELECTRIC CORPORATION - WEC

500000897148		ALT. PARA NORMAL	DWAGNER	PETTINE	31.05.2014	02
500000857249		ALT. CONF. CLAIM 413332709	SCARMAGNANI	DFRANCISCO	21.02.2014	01
ECM	LOC	SUMMARY OF MODIFICATIONS	EXECUTED	CHECKED	RELEASED	DATE VER
EXECUTED	SCARMAGNANI	THREE PHASE NEMA P. EFF MOTOR				10002721154
CHECKED		FRAME 364/5T IP23				000 02
RELEASED	DAYANAR					
REL DT	20.02.2014	WMO	JARAGUA DO SUL	ENGENHARIA DE PRODUTO	SHEET	1 / 1

60 HP	04 Poles	60Hz	413333125/0	MEC	B
75 HP	04 Poles	60Hz	413332709/0	MEC	A



UNCONTROLLED COPY

RELEASED

ZME A3