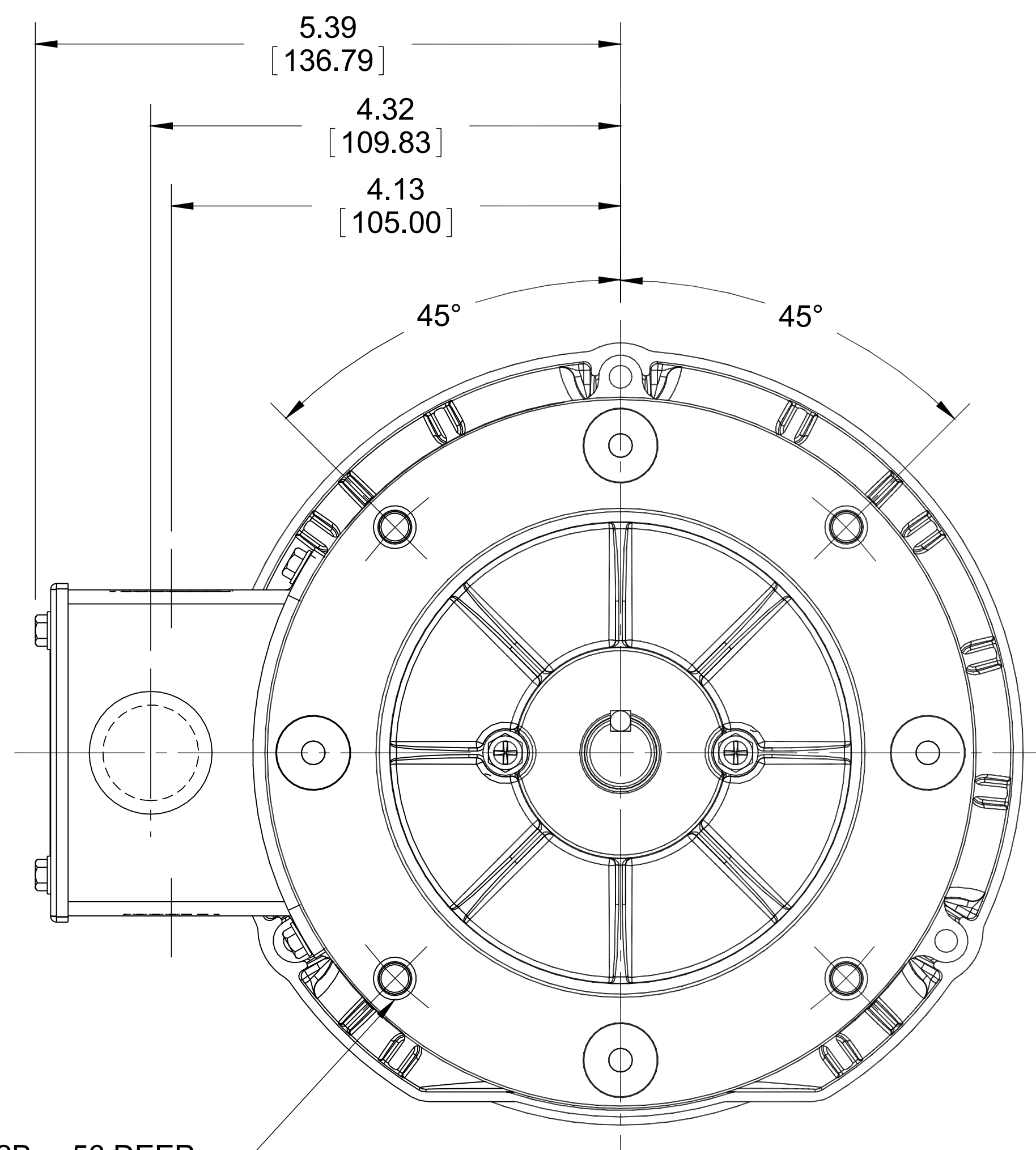
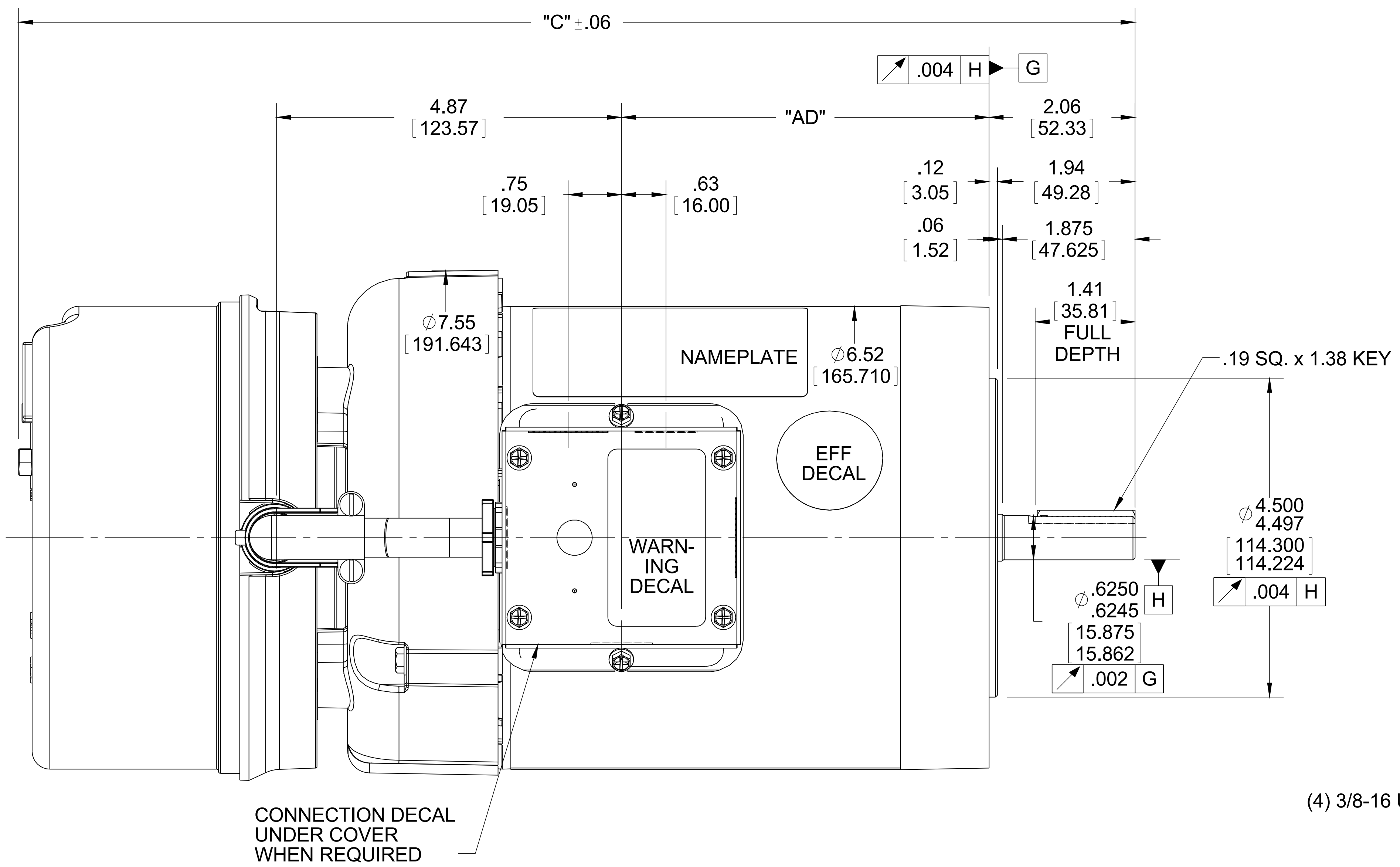


4

3

2

1



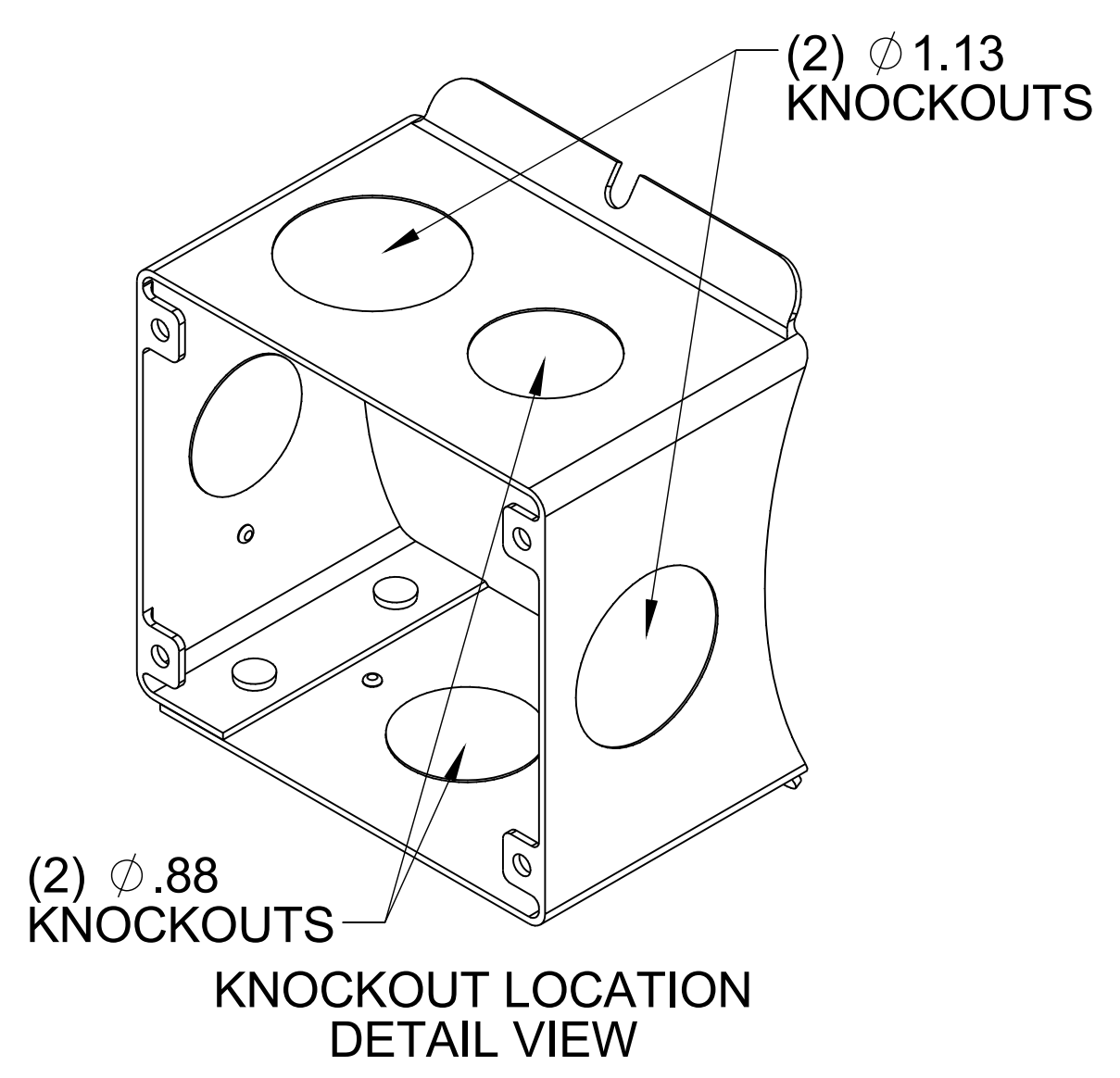
(4) 3/8-16 UNC-2B x .56 DEEP ON A Ø 5.875 B.C.

B

B

A

A



NOTE:
1) GASKETS THROUGHOUT

DASH NO.	"C"	"AD"
500	15.31	4.69
550	15.81	5.19
600	13.31	5.69
650	13.81	6.19
700	17.31	6.69
750	17.81	7.19

DRAWING REVISION C	REVISION BY CHRIS FISHER	DATE 11/9/2015	TOLERANCES UNLESS OTHERWISE SPECIFIED: DEC. INCH mm ANGLE .X ±0.1 [±2.5] ±0.5° .XX ±0.01 [±0.25] .XXX ±0.005 [±0.127] .XXXX ±0.0005 [±0.0127]	DRAWN BY JKJ 03/28/08	REGAL ™ Regal Beloit America, Inc.
ECO ECO-0088307	APPROVED BY	DATE		DATE	
ECO DESCRIPTION ADDED ITEM #750			REMOVE BURRS & BREAK SHARP EDGES: .003/.015 [0.076/.381] X 45° CORNER FILLETS: R.02 [0.51] MACHINED SURFACES: 125 INCH mm 3.2 mm SHOWN IN [BRACKETS]	APPROVED BY	DESCRIPTION OUTLINE TEFC - "C" FACE - BRAKEMOTOR
COPYRIGHT REGAL BELOIT AMERICA, INC. ALL RIGHTS RESERVED. PROPRIETARY AND CONFIDENTIAL INFORMATION - THIS DOCUMENT IS THE PROPERTY OF REGAL BELOIT AMERICA, INC. ("OWNER") AND CONTAINS OWNER'S PROPRIETARY INFORMATION. ANY PERSON, CORPORATION OR OTHER FIRM RECEIVING IT IS DEEMED, BY RECEIVING IT, TO AGREE THAT IT, AND/OR ANY PART OF IT, SHALL NOT BE DISCLOSED TO ANY PERSON, CORPORATION OR OTHER ENTITY, DUPLICATED, AND/OR USED, EXCEPT AS EXPRESSLY APPROVED IN WRITING IN ADVANCE BY OWNER. THIS DOCUMENT SHALL BE RETURNED TO OWNER UPON REQUEST. IT MAY BE SUBJECT TO CERTAIN RESTRICTIONS UNDER APPLICABLE EXPORT CONTROL LAWS AND REGULATIONS.			REFERENCE	MATERIAL	PROCESS/FINISH
			THIRD ANGLE PROJECTION	SIZE B	DRAWING NUMBER 028822
					SHEET 1 OF 1

4

3

2

1