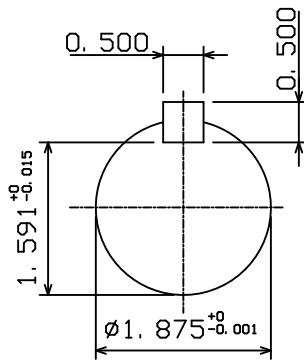
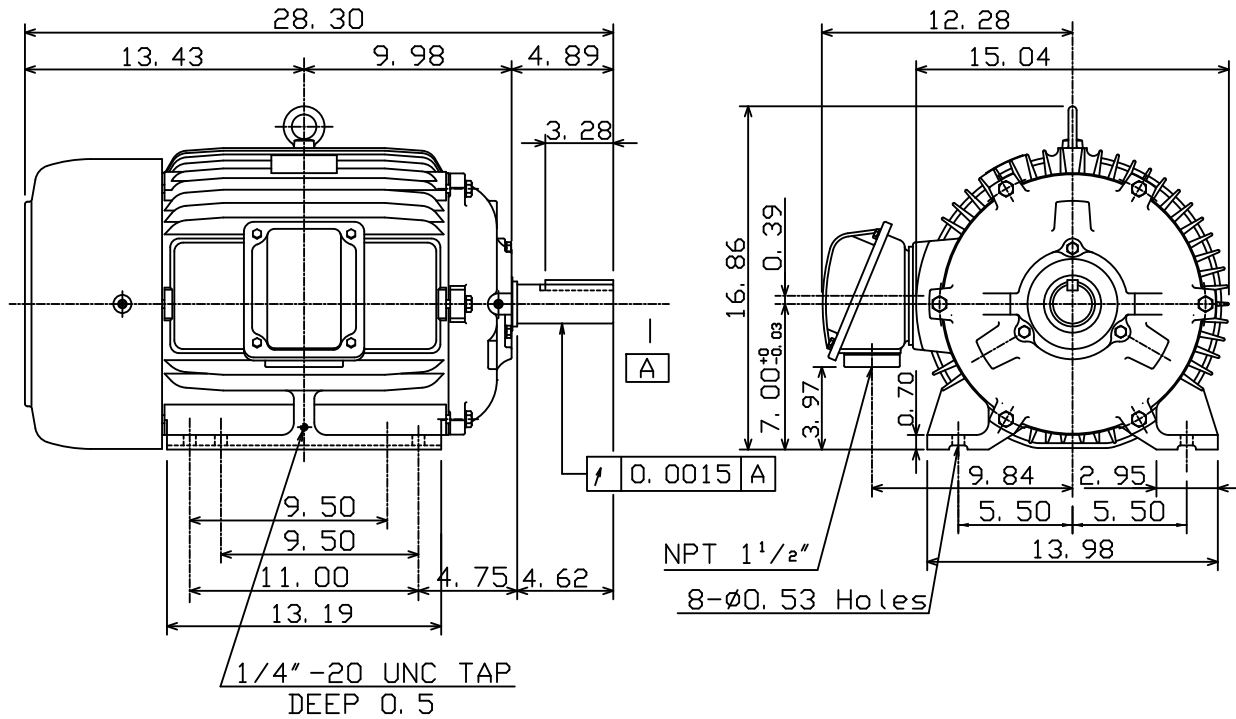


DATE JUNE 14, 2011	OUTLINE DIMENSIONS 3-PHASE INDUCTION MOTOR	MOTOR TYPE: AEHH8B
CAT. #: HB0158		FRAME NO. 286T

Pole	HP	kW	Hz	VOLT	Syn. Speed r/min(rpm)
8	15	11.2	60	460	900

Ins	Rating	Dimension in	Approx Weight	Bearings	
F	CONT.	inches	475 lbs.	DE: 6311ZC3	NDE: 6310ZC3

Totally Enclosed Fan Cooled Type. Squirrel-cage Rotor.



- Note:
1. Motor Vibration: 15 μ .
 2. Inpro/Seal in Both End Brackets

① 01. 20. 05	K. L. KUO
--------------	-----------

DWN. K. L. KUO 06-14-03	TEC   Westinghouse	DWG NO.
CHKD. C. H. KAO 06-17-03		31049M628291
APPD. M. C. TSAI 06-17-03		