

4

3

2

1

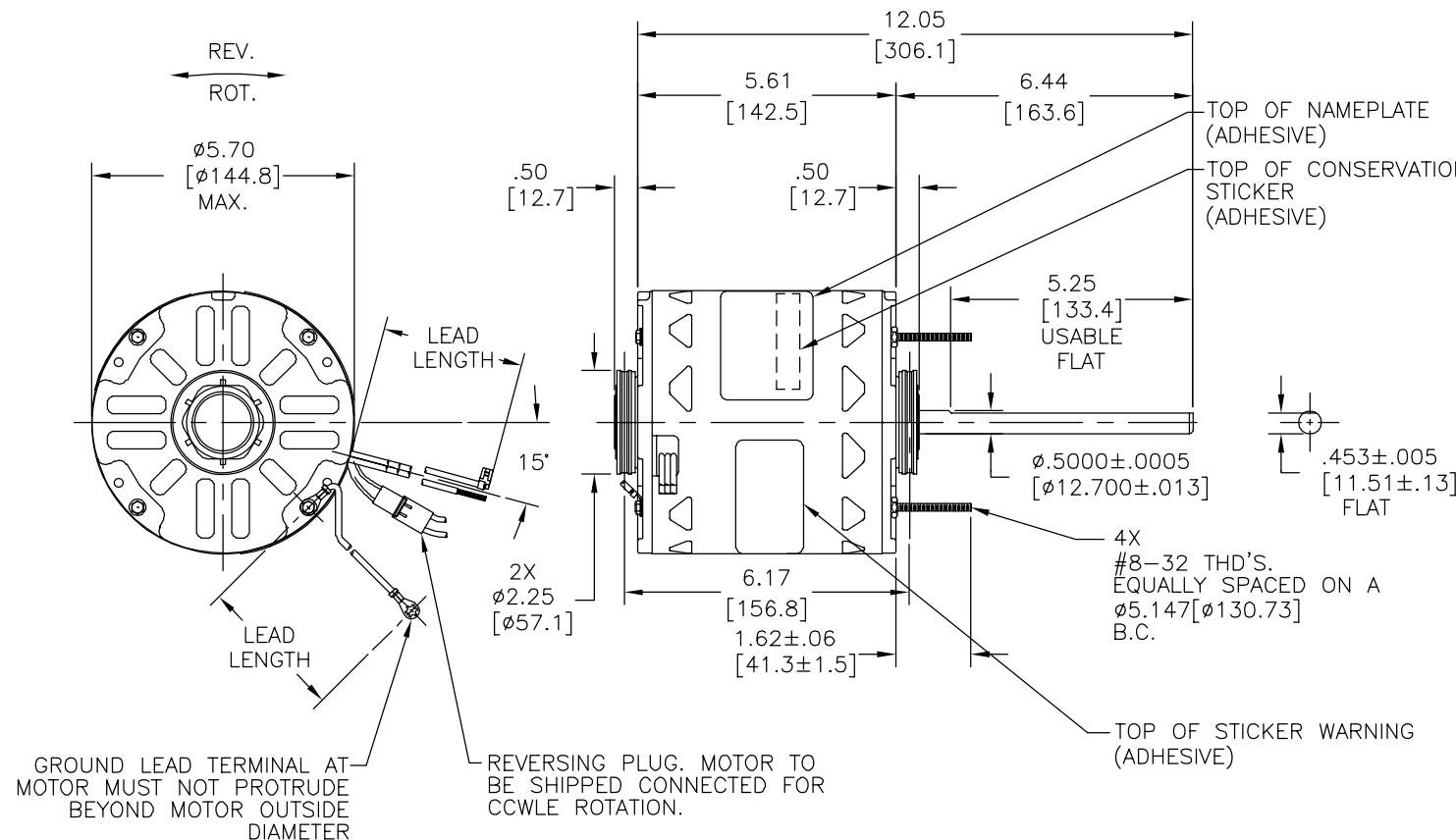
GENERAL INFORMATION:

SHAFT RUNOUT: .001[.03] T.I.R. PER INCH LENGTH OF EXTENSION
 END PLAY: .010[.25] TO .063[1.60]
 BEARINGS: SLEEVE
 MOUNTING POSITION: HORIZONTAL

ELECTRICAL DATA:

OVERLOAD PROTECTOR: AUTOMATIC RESET (T.I. 7AM 032)
 LEADS: NO. 18 GA., .06[1.5] THK., 125°C INSUL.
 REVERSING LEADS: NO. 18 GA., .03[.8] THK., 125°C INSUL.
 GROUND LEAD: NO. 18 GA., .03[.8] THK., GREEN INSUL.

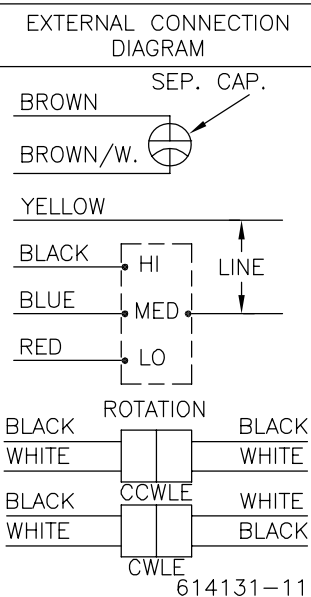
| REV | ECO | REV BY | DATE | APPD | DATE |
|-----|---------|-----------|------------|----------|------------|
| B | 0025546 | E.SINECIO | 04-26-2012 | R.RASCON | 04-26-2012 |



NAMEPLATE DATA:

MODEL NO: F48SQ4L6
 CUST. P/N: []
 HP: 3/4
 ROT.: REVERSIBLE
 RPM: 1625/3 SPD.
 TYPE: UF
 FRAME: 48Y
 VOLTS: 115
 PH: 1
 AMPS: 8.5 (11.5 MAX)
 HZ: 60
 INS.: A
 AMB: 40°C
 DUTY: AIR OVER
 CAP.: 15 MFD/370V
 ENCL: OPEN
 CSA LOGO
 UL LOGO
 THERMALLY PROTECTED

SEE NOTE 2



| | | |
|-------------|------------------------|--------------------------|
| GREEN(GRD) | 12.0/13.0 [305/330] | #10 EYELET |
| BLACK/WHITE | 3.0/5.0 [76/127] | REVERSING PLUG |
| BROWN | 26.0/28.0 [660/711] | .25[6.4] FLAG |
| BROWN/WHITE | 26.0/28.0 [660/711] | .25[6.4] FLAG |
| YELLOW | 26.0/28.0 [660/711] | .50[12.7] SKIN |
| BLACK | 26.0/28.0 [660/711] | .50[12.7] SKIN |
| BLUE | 26.0/28.0 [660/711] | .50[12.7] SKIN |
| RED | 26.0/28.0 [660/711] | .50[12.7] SKIN |
| COLOR | LENGTH | TERMINAL OR STRIP LENGTH |

- NOTES:
 1. SNAP RINGS 615035, 4 REQUIRED, TO BE PACKED WITH EACH MOTOR
 2. DISTRIBUTION: CUST. P/N: FDL1074
 GRAINGER: CUST. P/N: 4MA92

| | |
|----------------|------|
| MAIN FR. - OLE | OPEN |
| END FR. - OLE | OPEN |
| MAIN FR. - LE | OPEN |
| END FR. - LE | OPEN |

| | |
|----------|-----------------------|
| CUSTOMER | DISTRIBUTION SERVICES |
|----------|-----------------------|

| PERFORMANCE CURVE NO. | TORQUE @ 1625 RPM (25°C) | APPROVED SAMPLE | UL COMPONENT | | CSA | |
|-----------------------|--------------------------|-----------------|--------------|-------|---------|---------|
| C23339 | 45.0 OZ. FT. | EX11401 | FILE # | CNN # | FILE # | CLASS # |
| | | | E46412 | PRGY2 | LR43341 | 4211-01 |

GEOMETRIC CHARACTERISTICS & SYMBOLS
 ▽ FLATNESS
 - STRAIGHTNESS
 < ANGLARITY
 ⊥ PERPENDICULARITY (SQUARENESS)
 // PARALLELISM
 ○ ROUNDNESS (CIRCULARITY)
 ∅ CYLINDRICITY
 △ PROFILE OF ANY SURFACE
 ∩ PROFILE OF ANY LINE
 ↗ RUNOUT
 ⊕ TRUE POSITION
 ⊙ CONCENTRICITY
 = SYMMETRY
 ASME Y14.5M 1994

REGAL-BELOIT CORPORATION (RBC) PROVIDES TECHNICAL ASSISTANCE TO OUR CUSTOMERS IN SEVERAL AREAS. SINCE RBC DOES NOT RECEIVE ALL DATA CONCERNING THE USE AND APPLICATION OF THE MOTOR, THE SUITABILITY OF THE MOTOR FOR THE APPLICATION MUST BE DETERMINED BY THE CUSTOMER.

DIMENSIONS WITHOUT TOLERANCES ARE FOR REFERENCE ONLY.

DR BY: DZ 02-21-2011
 APPD: DZ 02-21-2011
 THIRD ANGLE PROJECTION
 EDS DATE 02-22-2008
 FORMAT REV G
 CONFIDENTIAL: THIS DRAWING AND ITS INFORMATION ARE THE EXCLUSIVE AND CONFIDENTIAL PROPERTY OF REGAL-BELOIT CORPORATION AND ARE NOT TO BE DISCLOSED, DUPLICATED, DISTRIBUTED OR OTHERWISE USED WITHOUT THE WRITTEN CONSENT OF REGAL-BELOIT CORPORATION. -ALL RIGHTS RESERVED.



| | |
|----------------------------|-----------------|
| DESCRIPTION | |
| MODEL-RFHP-48FR OUTLINE | |
| SIZE C | DWG NO F48SQ4L6 |
| SCALE NONE | SHEET 1 |

4

3

2

1

4

3

2

1

INFORMACION GENERAL:

OSCILACION DE FLECHA: .001 [.03] L.T.I. LONGITUD DE EXTENSION POR PULGADA

JUEGO AXIAL: .010[.25] A .063[1.60]

BALEROS: FUNDA

POSICION DE MONTAJE: HORIZONTAL

DATOS ELECTRICOS:

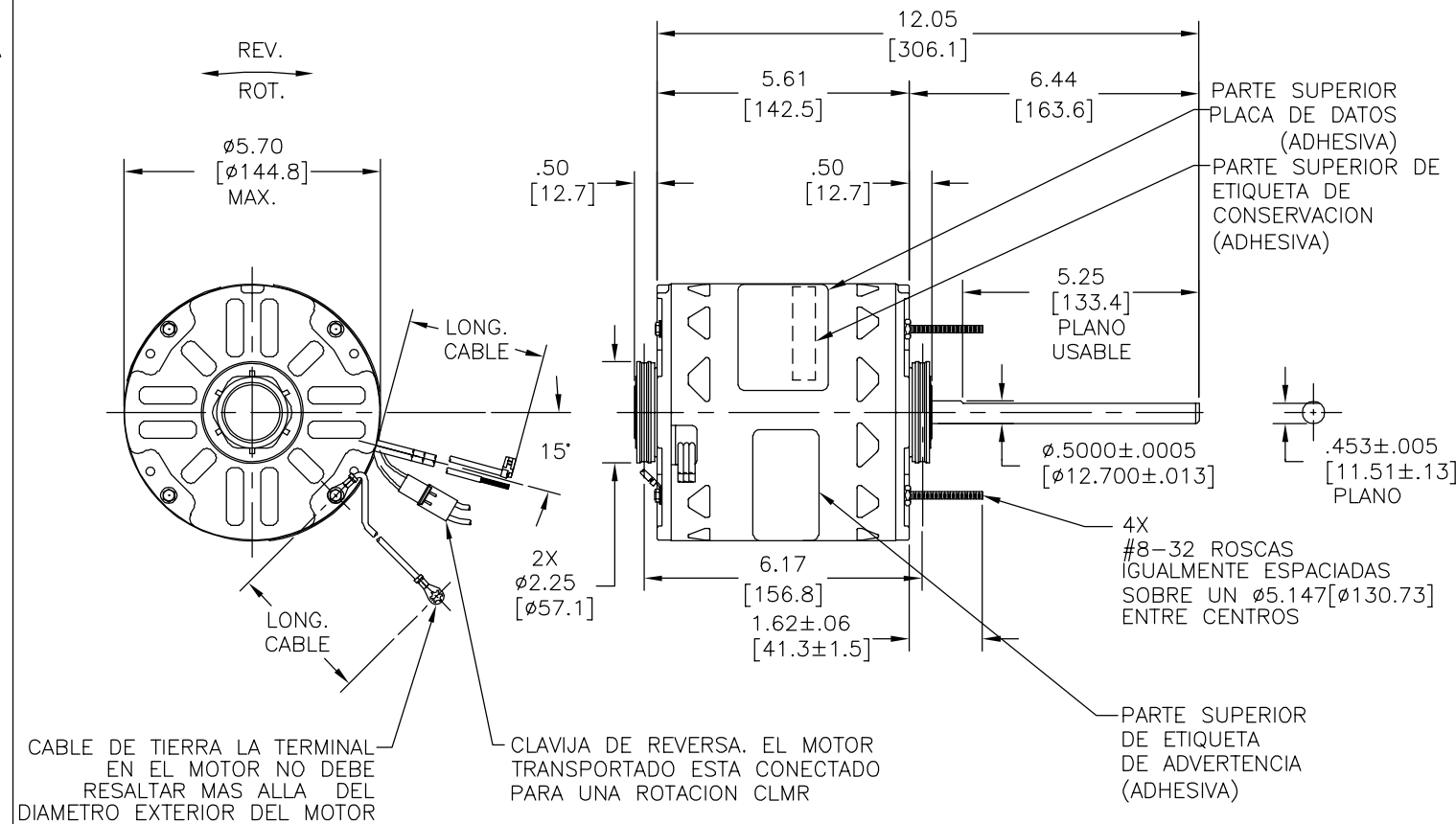
SOBRECARGA DEL PROTECTOR: REINICIO AUTOMATICO (T.I. 7AM 032)

CABLES: CAL. NO. 18, .06[1.5] ESPESOR 125°C AISLANTE

CABLES REVERSIBLES: CAL. NO. 18, .03[.8] ESPESOR 125°C AISLANTE

CABLE DE TIERRA: CAL. NO. 18, .03[.8] ESPESOR AISLANTE VERDE

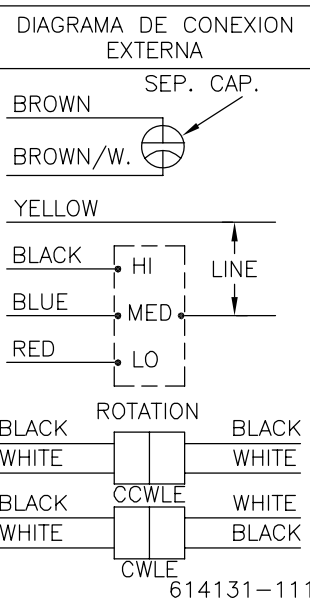
| | | | | | |
|-----------|---------|---------------|------------|---------------|------------|
| REVISION: | ECO | REVISADO POR: | FECHA: | APROBADO POR: | FECHA: |
| B | 0025546 | E.SINECIO | 04-26-2012 | R.RASCON | 04-26-2012 |



VER NOTA 2

INF. PLACA DE DATOS:

MODEL NO: F48SQ4L6
 CUST. P/N: []
 HP: 3/4
 ROT.: REVERSIBLE
 RPM: 1625/3 SPD.
 TYPE: UF
 FRAME: 48Y
 VOLTS: 115
 PH: 1
 AMPS: 8.5 (11.5 MAX)
 HZ: 60
 INS.: A
 AMB: 40°C
 DUTY: AIR OVER
 CAP.: 15 MFD/370V
 ENCL: OPEN
 CSA LOGO
 UL LOGO
 THERMALLY PROTECTED



| | | |
|--------------|---------------------|--------------------|
| VERDE TIERRA | 12.0/13.0 [305/330] | #10 OJAL |
| NEGRO/BLANCO | 3.0/5.0 [76/127] | CLAVIJA DE REVERSA |
| CAFE | 26.0/28.0 [660/711] | .25[6.4] BANDERA |
| CAFE/BLANCO | 26.0/28.0 [660/711] | .25[6.4] BANDERA |
| AMARILLO | 26.0/28.0 [660/711] | .50[12.7] FORRO |
| NEGRO | 26.0/28.0 [660/711] | .50[12.7] FORRO |
| AZUL | 26.0/28.0 [660/711] | .50[12.7] FORRO |
| ROJO | 26.0/28.0 [660/711] | .50[12.7] FORRO |

NOTAS:

- ANILLOS RAPIDOS DE RETENCION 615035, 4 REQUERIDOS, EMPACADOS CON CADA MOTOR.
- DISTRIBUCION: CLIENTE N/P: FDL1074 GRAINGER: CLIENTE. N/P: 4MA92

| | |
|------------------|---------|
| CUERPO PPAL.-OLE | ABIERTO |
| TAPA FINAL - OLE | ABIERTO |
| CUERPO PPAL.- LE | ABIERTO |
| TAPA FINAL - LE | ABIERTO |

| | |
|---------|-----------------------|
| CLIENTE | DISTRIBUTION SERVICES |
|---------|-----------------------|

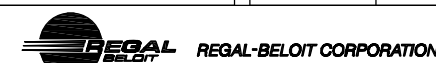
| | | | | |
|--------------------------|--------------------------|------------------|---------------|-----------------|
| CURVAS DE FUNCIONAMIENTO | TORSION @1625 RPM (25°C) | MUESTRA APROBADA | COMPONENTE UL | CSA |
| C23339 | 45.0 OZ. PIE | EX11401 | E46412 PRGY2 | LR43341 4211-01 |

INFORMACION DE CABLES

REGAL-BELOIT CORPORATION (RBC) PROVEE ASISTENCIA TECNICA A NUESTROS CLIENTES EN VARIAS AREAS, DESDE QUE RBC NO RECIBE TODOS LOS DATOS EN RELACION AL USO Y A LA APLICACION DEL MOTOR, LA APLICACION ADECUADA DEL MOTOR DEBE SER DETERMINADA POR EL CLIENTE.

DIMENSIONES SIN TOLERANCIA SON DE REFERENCIA SOLAMENTE

DIBUJADO POR: DZ 02-21-2011
 APROBADO POR: DZ 02-21-2011
 TERCER ANGULO DE PROYECCION
 CONFIDENCIAL: ESTE DIBUJO Y SU INFORMACION SON PROPIEDAD DE USO EXCLUSIVO Y CONFIDENCIAL DE REGAL-BELOIT CORPORATION. Y NO DEBERAN SER REVELADOS, DUPLICADOS, DISTRIBUIDOS O USARSE DE OTRA MANERA SIN EL CONSENTIMIENTO ESCRITO DE REGAL-BELOIT CORPORATION. -TODOS LOS DERECHOS RESERVADOS.



DESCRIPCION: MODEL-RFHP-48FR OUTLINE
 TAMAÑO: C NUMERO DE DIBUJO: F48SQ4L6
 ESCALA: NONE HOJA: 1

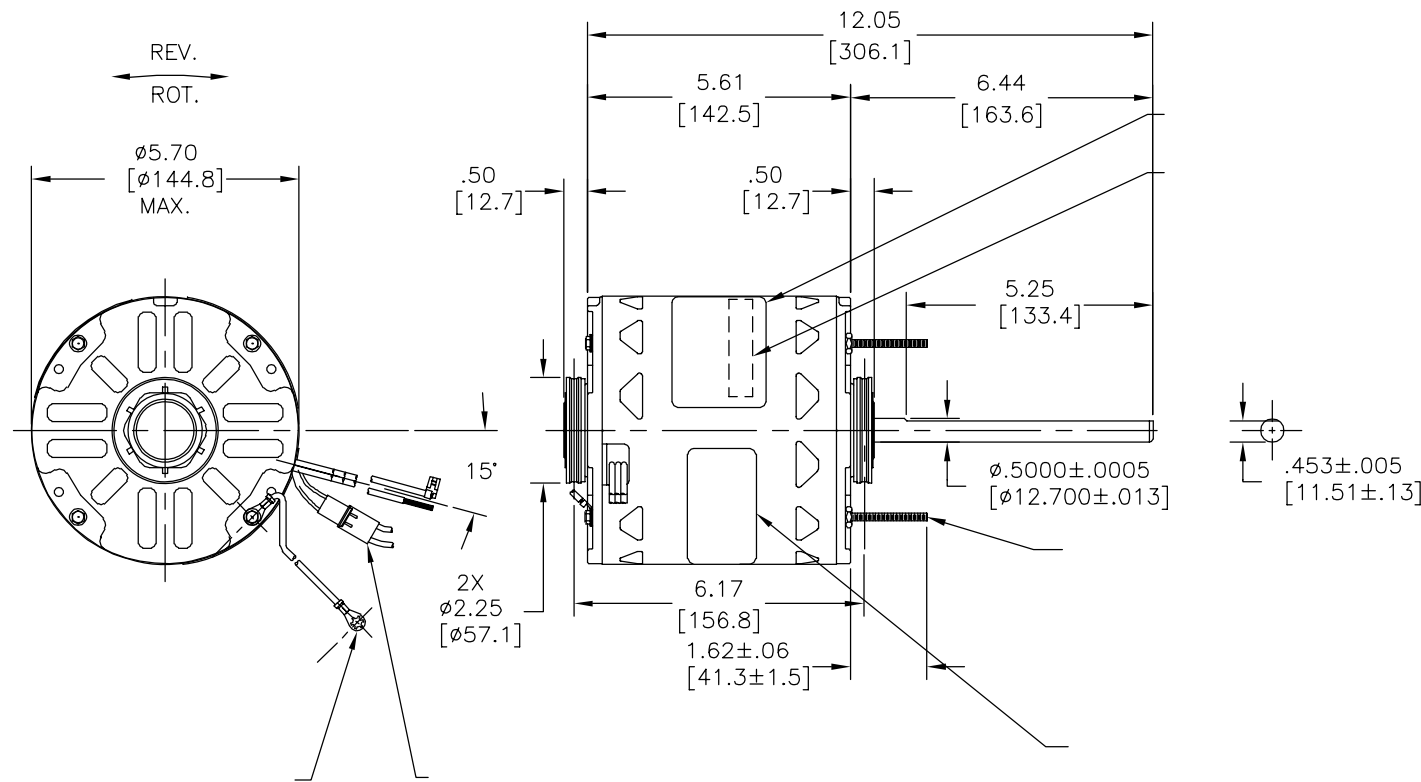
4

3

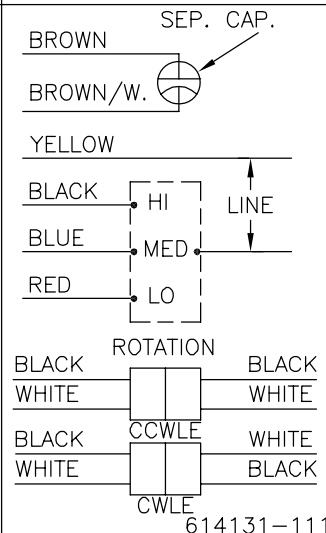
2

1

| | | | | | |
|----|---------|-----------|------------|----------|------------|
| 版本 | ECO | 编制 | 日期 | 批准 | 日期 |
| B | 0025546 | E.SINECIO | 04-26-2012 | R.RASCON | 04-26-2012 |



MODEL NO: F48SQ4L6
 CUST. P/N: []
 HP: 3/4
 ROT.: REVERSIBLE
 RPM: 1625/3 SPD.
 TYPE: UF
 FRAME: 48Y
 VOLTS: 115
 PH: 1
 AMPS: 8.5 (11.5 MAX)
 HZ: 60
 INS.: A
 AMB: 40°C
 DUTY: AIR OVER
 CAP.: 15 MFD/370V
 ENCL: OPEN
 CSA LOGO
 UL LOGO
 THERMALLY PROTECTED



| | | |
|--|-----------|--|
| | 12.0/13.0 | |
| | [305/330] | |
| | 3.0/5.0 | |
| | [76/127] | |
| | 26.0/28.0 | |
| | [660/711] | |
| | 26.0/28.0 | |
| | [660/711] | |
| | 26.0/28.0 | |
| | [660/711] | |
| | 26.0/28.0 | |
| | [660/711] | |
| | 26.0/28.0 | |
| | [660/711] | |
| | 26.0/28.0 | |
| | [660/711] | |

| | | | | | |
|--------|--|---------|--------|-------|----------------|
| | | | | | CSA |
| C23339 | | EX11401 | E46412 | PRGY2 | LR433414211-01 |

- 形位公差
- 平面度
- 直线度
- ∠ 倾斜度
- ⊥ 垂直度
- // 平行度
- 圆度
- ⊘ 圆柱度
- ⊙ 面轮廓度
- ⊖ 线轮廓度
- ⤴ 圆跳动
- ⊕ 位置度
- ⊙ 同轴度
- ≡ 对称度

ASME Y14.5M 1994

REGAL-BELOIT CORPORATION (RBC) 在个别领域为客户提供技术支持。鉴于RBC未收到任何涉及电机使用和应用环境的数据，电机的适用性由客户自己决定。

未注公差尺寸仅供参考。

绘图: DZ 02-21-2011
 批准: DZ 02-21-2011
 第三角投影
 图纸格式发布日期 02-22-2008
 图纸格式版本 G
 机密: 本图纸及相关信息所有权归REGAL-BELOIT CORPORATION。未经REGAL-BELOIT CORPORATION书面授权, 不得泄露、复制、传播或作其他用途。—版权所有

REGAL-BELOIT CORPORATION

名称: MODEL-RFHP-48FR OUTLINE
 图号: F48SQ4L6
 比例: NONE
 页号: 1

D
C
B
A

D
C
B
A

4
4
4
4

3
3
3
3

2
2
2
2

1
1
1
1