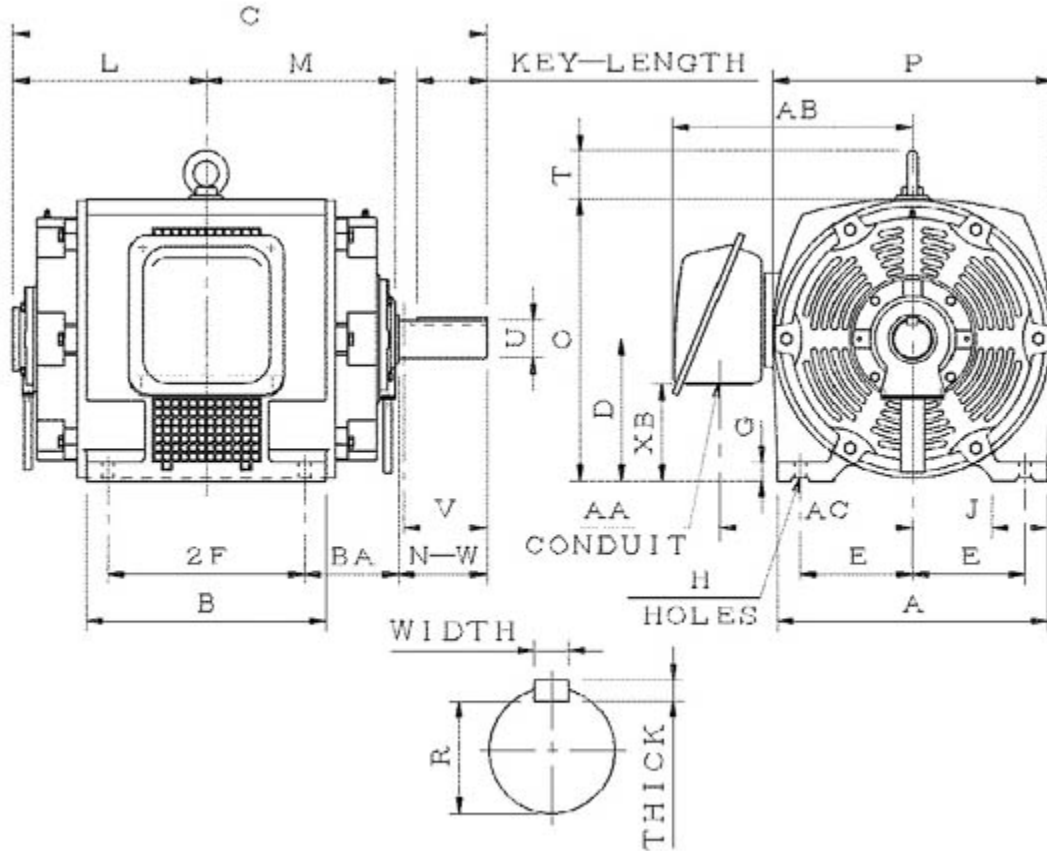


**Dimensional Drawing**

Catalogue	Model	HP	Pole	kW	Rating	Voltage	Hz	RPM
SDP0752	ASHH	75	2	56	Continuous	230 / 460 V	60	3600



ASHH-SMP-4

Frame Size	Mounting					A	B	C	CD	D	
	E	2F	2F2	H	BA						
364TS	7	11.25		0.66	5.88	16.93	14	26.84		9	
G	J	K	L	M	O	P	T	Key			Keyseat
1.3	3.55		11.58	11.29	17.95	17.5	2.8	Width	Thick	Length	R
								0.5	0.5	2.03	1.591
Terminal Housing				Aux Box		C/D Flange					
AA	AB	AC	XB	AE	AX	BB	AH	AK	BD	AJ	BF
3.62	14.9	12.09	6.17								
Shaft Extension			Bearings		Approx. Weight Lbs	SPL dBA/3ft	Ins. Class	S.F.	Drive Method	Dimensions	
N-W	U	V	DE	NDE							
3.75	1.875	3.65	6313C3	6213C3	666	83	F	1.15	Direct Coupling	Inches	

### Technical Data Sheet

Motor Type: ASHH

Catalogue No: SDP0752

#### Nameplate Information

HP	Pole	RPM	Frame	Voltage	Hz	Phase
75	2	3555	364TS	230 / 460	60	3
Enclosure	Ins. Class	Service Factor	Time Rating	NEMA Design	Rated Amb.	Rated Altitude
ODP	F	1.15	Continuous	B	-40 to 40 °C	<3300 ft

#### Typical Performance

Efficiency (%)				Power Factor (%)		
Full Load		3/4 Load	1/2 Load	Full Load	3/4 Load	1/2 Load
Nom.	Min.					
94.1	93.0	94.5	93.6	90.5	89.0	83.0
Torque				Current (A)		
Full Load (lb-ft)	Locked Rotor (% FLT)	Pull Up (% FLT)	Break Down (% FLT)	No Load	Full Load	Locked Rotor
110.80	160	150	250	40.8 / 20.4	165.0 / 82.5	1085 / 543
NEMA KVA Code	Inertia (WR <sup>2</sup> )			Safe Stall Time (s)		Noise Level Sound Press. dB(A)
	Rotor (lb-ft <sup>2</sup> )	NEMA Load (lb-ft <sup>2</sup> )	Max. Allowable (lb-ft <sup>2</sup> )	Cold	Hot	
G	5.870	71	100	17	12	83

#### VFD Duty Information

Speed Range			VFD		S.F.
Constant Torque	Variable Torque	Constant Power	Carrier	Type	
6-60Hz	3-60Hz	60-120Hz	≤ 5 kHz	VPWM or CPWM	1.0 Only

#### Additional Information

Bearings		Approx. Weight
DE	NDE	lbs
6313C3	6213C3	666

#### Hazardous Locations Information

N/A	
Temp Code (Sinewave / VFD)	/