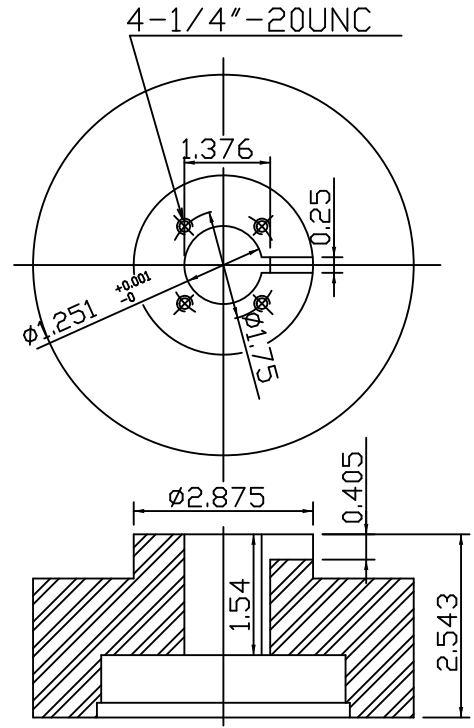
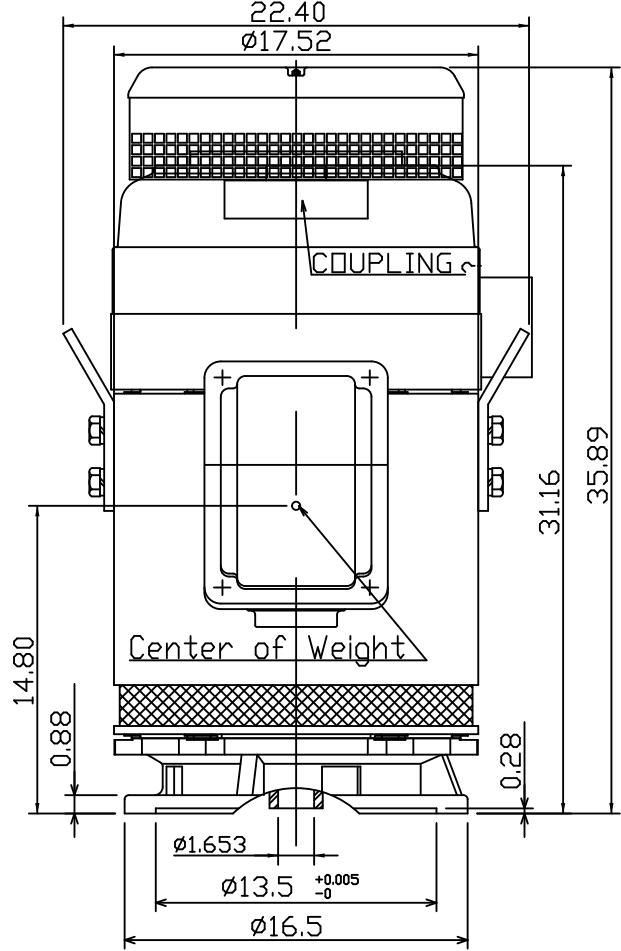


DATE Jan. 14, 2012	OUTLINE DIMENSIONS 3-PHASE INDUCTION MOTOR	MOTOR TYPE: AMRCNH
CAT. #: VHP0604		FRAME NO. 364TP

Pole	HP	kW	Hz	VOLT	Syn.Speed r/min(rpm)
4	60	45	60	230/460	1800

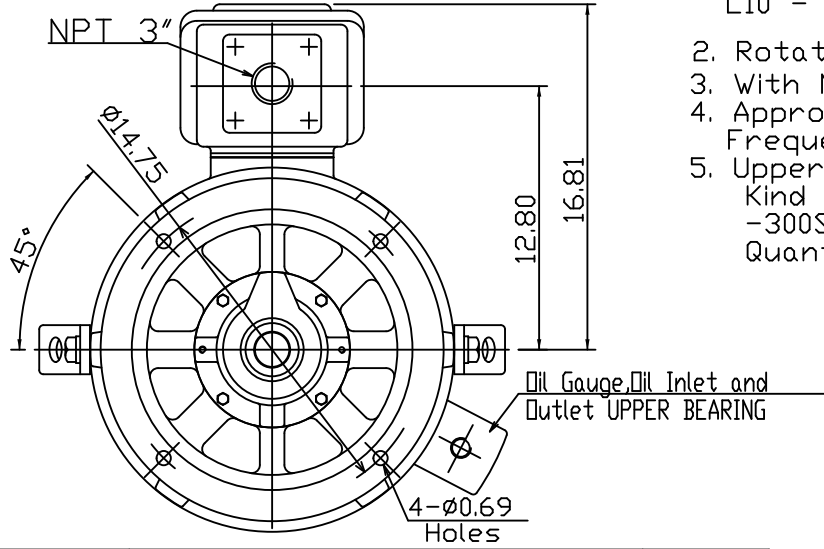
Ins	Rating	Dimension in	Approx Weight	Bearings	
F	CONT.	inch	856 lbs	DE: 6313C3	NDE: 7220B

NEMA Weather Protected TYPE I (WP I) Squirrel-cage Rotor.



Coupling Dimension

- Note:
1. Downthrust: 6000lbs.
L10 - 8800 hours
 2. Rotation: CCW
 3. With N.R.R.
 4. Approx Reel
Frequencies: 68.7 Hz
 5. Upper Bearing Oil lube:
Kind of Oil: Turbine Oil
-300SSU/100°F ISO VG68
Quantity: 0.53 Gallons



12.23.08		
----------	--	--

DWN. ??????	12 12 08	TEC Westinghouse	DWG NO.
CHKD. ??????	12 23 08		31057H810121A
APPD. ??????	12 23 08		