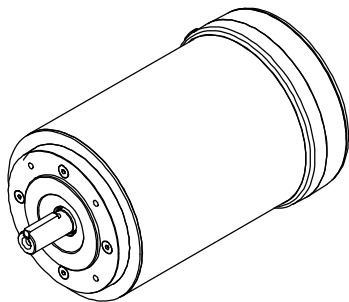


DASH NO.	"C"	"AD"
525	9.47	6.51
550	9.72	6.76
575	9.97	7.01
600	10.22	7.26
625	10.47	7.51
650	10.72	7.76
675	10.97	8.01
700	11.22	8.26
725	11.47	8.51
750	11.72	8.76
775	11.97	9.01
800	12.22	9.26



NO		REVISION	BY & DATE	CHK	ANG	±1/2°	FINISH	DRAWING NO		REV
				RFP			PREV	B		
								031994ME		
								031994ME		

TOLERANCES UNLESS SPECIFIED		DRAWN	
DEC	INCHES	PVR	10/08/13
X	±.1	CHK	JD 10/08/13
XX	±.03	APPR	
XXX	±.005	SCALE	1:4
XXXX	±.0005	REF	031994
		FMF	080T17V5328
		PAGE	1 OF 1

marathon electric		TITLE	
		OUTLINE - PREMIUM DUCK	
		IEC 80- B14 FRAME	
		M6x1 - 6H TAP - .46 DEEP	
		4 REQUIRED ON A Ø3.346 B.C.	
		M6-1-6H x √.63 MIN.	