

Product Information Packet

November 7, 2016

Data shown is for the current revision model #. Ensure your nameplate model # matches.

Model Number:	5KS256ATE205AF2
Catalog Number:	E7025
Instruction Manual:	GEI-M1023
Connection Diagram:	GEM2034E-FIG10
Outline Drawing:	358B6216AB

Accessory Connection Diagrams			
Bearing Thermocouple:	None	Heater:	None
RTD:	None	Thermistor:	None
Thermostat:	None	Winding Thermocouple:	None
Bearing RTD:	None		

Table of Contents	
Specification	01
Performance Characteristics	02
Outline Drawing	03
Connection Drawing(s)	04

Marks:

MODEL NUMBER:	5KS256ATE205AF2	Estimated Weight:	300 Lbs
Outline Drawing:	358B6216AB	Time Rating:	CONT
Connection Diagram:	GEM2034E-FIG10	Enclosure:	DP
Instruction Book:	GEI-M1023	Encl Construction:	OPEN
Design Code:	25AD1006A	Ambient Max(°C):	40
Type:	KS	Alt Ambient Max(°C):	--
Frame:	256T	Insulation Class:	F
Phases:	3	NEMA Design:	A
Poles:	4	Nominal Efficiency:	93 %
Output Power:	20HP 14.8KW	Guaranteed Efficiency:	91.7
RPM:	1765	3/4 Load Efficiency:	93.7
Voltage:	230/460	KVA Code:	G
Hertz:	60	Max KVAR:	6
Amps - FL:	48.2/24.1	Power Factor:	83.5
Service Factor:	1.15	Bearing - DE:	6310ZZ
Alt Service Factor:	--	Bearing - ODE:	6208ZZ

Enclosure is Dripproof

Stamped Nameplate Notes:**Additional Information:**

4 POLE DP
 LRA: 313.8/156.9
 NO. OF MOTOR LEADS: 12
 CONDUIT BOX VOLUME (IN³): 110.9
 CONDUIT BOX MTL: STAMPED STEEL
 GREASE TYPE: SHELL ALVANIA R3 LITHIUM GREASE
 USABLE AT 200V @ 20HP, 54.1 AMPS @ 1.0 SF
 50 HZ DATA: 20 HP, 200/400V, 55.4/27.7 AMPS @ 1.0SF, 1455 RPM
 SOUND POWER: 72.3
 DMK, 06/04, DATA UPDATE 11/2004
 INVERTER DUTY PER NEMA MG1 PART 31
 FOR VARIABLE TORQUE LOADS

Performance Characteristics

1st Winding 1st Connection

Design: 25AD1006A

Marks:

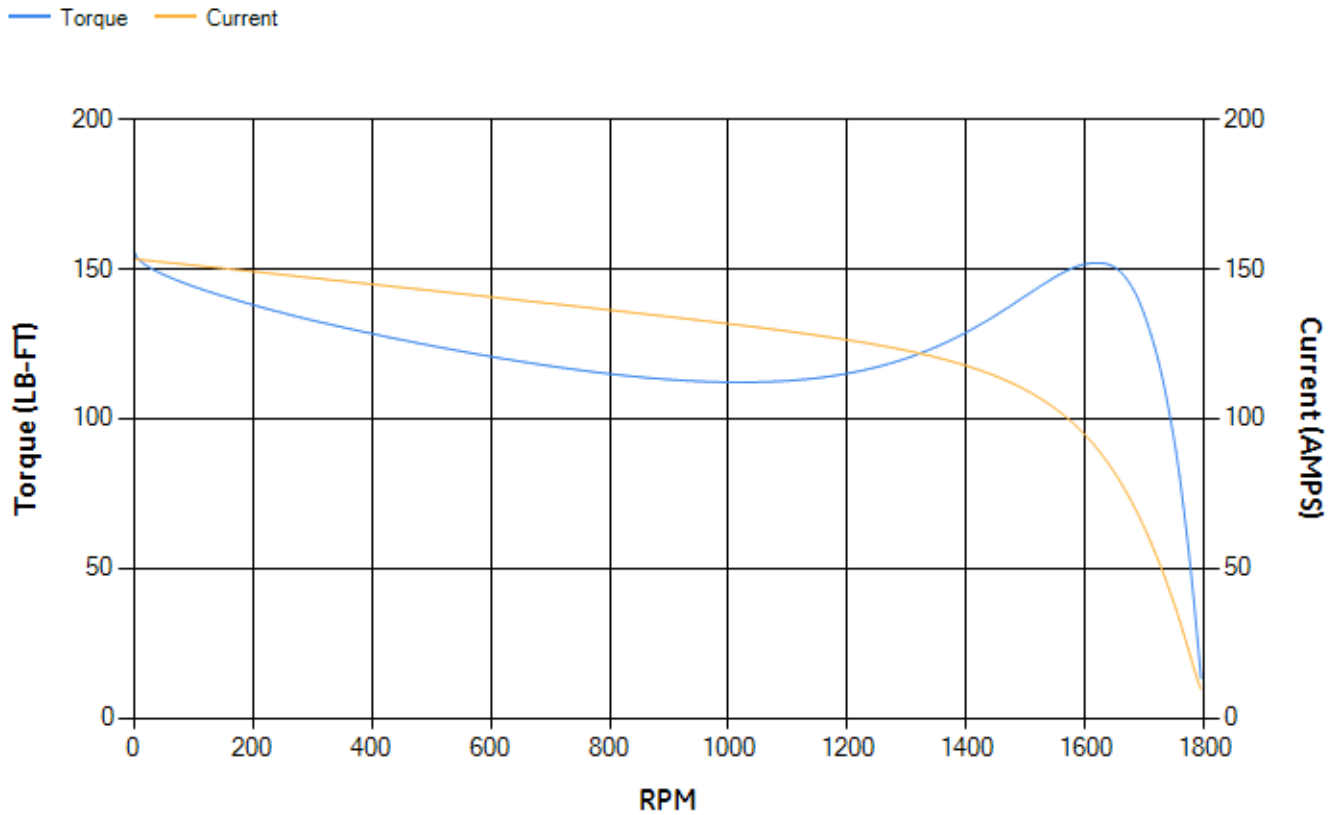
LOAD %	125.0	115.0	100.0	75.0	50.0	25.0	0.0
% EFF	92.12	92.56	93.3	93.65	93.43	90.61	0.00
% PF	85.11	84.99	84.33	81.27	73.24	52.35	5.2
AMPS	29.84	27.36	23.79	18.45	13.68	9.86	7.95

TORQ(FL)#FT	59.42	TORQ(LR)%FL	262.77	TORQ(BD)%FL	254.23
AMPS(LR)	153.33	PF AT START	0.43		

This motor is capable of two cold or one hot start with a maximum connected load inertia of 685 Lb-Ft Sq (28.84 Kg-meter Sq)at 100% voltage, where the load torque varies with the square of the speed. Acceleration time with maximum inertia and the above load type is 37 seconds. Safe stall time at 100% voltage is 63 seconds cold, 56 seconds hot. Rotor inertia is 2.27 Lb-Ft Sq (0.1 Kg-meter Sq).

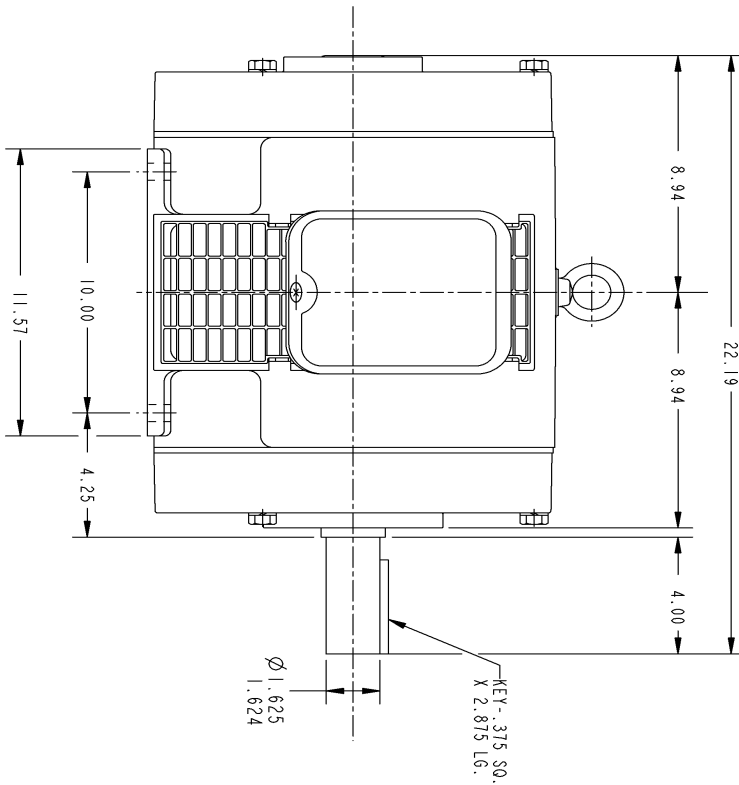
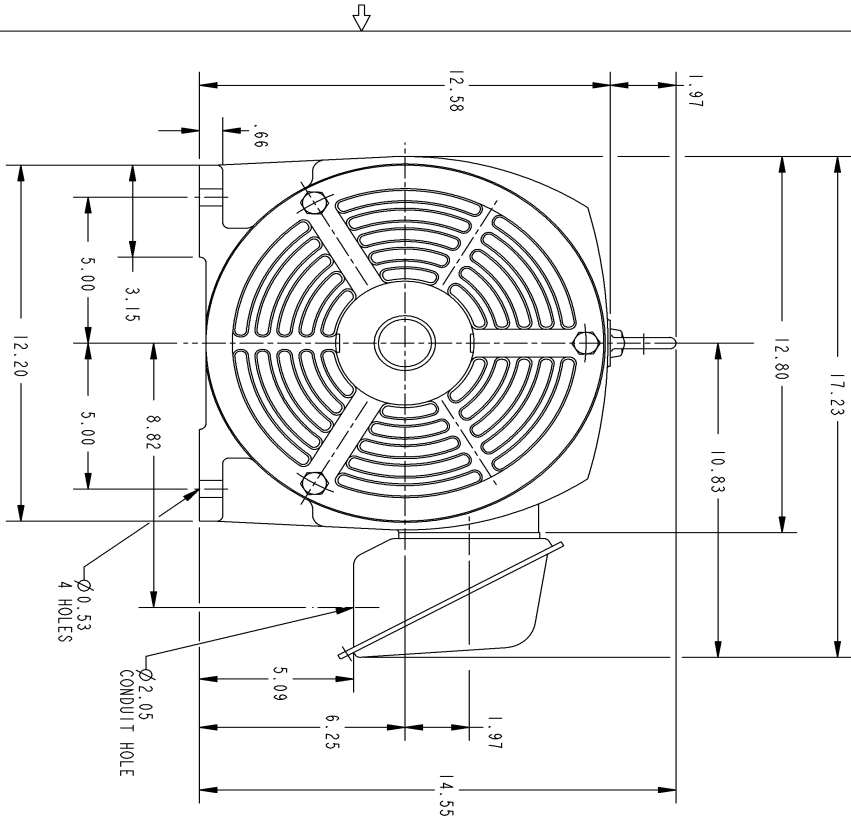
Open Circuit A-C:	0.432	Short Circuit D-C:	0.018
Short Circuit A-C:	0.019	X/R Ratio:	6.918
Stator Slots:	48	Rotor Slots:	40

Speed Torque Current Curve (First Connection, First Speed)



NAME:501452442 OBJECT:358B6216AB DATE:23-May-07 23:53:38

Marks:



THIS DRAWING IS THE PROPERTY OF GEORGE FISHER COMPANY (GFC) AND WILL BE RETURNED TO GFC UPON REQUEST. THIS DRAWING IS LOANED TO THE USER UNDER THE CONDITION THAT THE USER SHALL BE RESPONSIBLE FOR THE PROTECTION AND SECURITY OF THIS DRAWING. THIS DRAWING SHALL BE RETURNED TO GFC UPON REQUEST AND NOT BE REPRODUCED OR COPIED IN ANY MANNER WITHOUT THE WRITTEN PERMISSION OF GFC. GFC ACCEPTS NO LIABILITY FOR ANY DAMAGE OR LOSS OF PROFITS, INCLUDING CONSEQUENTIAL DAMAGES, ARISING FROM THE USE OF THIS DRAWING.

SIZE: DRAWING NO: B 358B6216AB

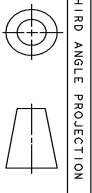
GE PROPRIETARY INFORMATION

REVISIONS

REV.	DESCRIPTION	DATE	APPROVED
1	ISAAC 07-0770	05/02/07	R. KOHNE

NOTES :

1. CONDUIT BOX MAY BE PLACED WITH THE ENTRANCE DOWN, UP OR ON EITHER SIDE.
2. F-1 ASM AS SHOWN.
3. F-2 ASM - HAS CONDUIT BOX ON OPPOSITE SIDE.



UNLESS OTHERWISE SPECIFIED:		SIGNATURES		DATE	
DIMENSIONS ARE IN INCHES		DRWN	P. RAJU	03/27/03	
TOLERANCE ON:		CHECKED	PRADHANAN	03/27/03	
2 PL DECIMALS ± .		ENGR			
3 PL DECIMALS ± .		ISSUED	PRADHANAN	03/27/03	
ANGLES ± 1°		APPLIED PRACTICES			
MATERIAL:		SIZE/DRAWING	B	358B6216AB	REV. 1
		SCALE: DRAWING SCALE			

GE Industrial Systems
GENERAL ELECTRIC COMPANY
Fort Wayne, Indiana

OUTLINE
256T - OPEN DRIP PROOF

DISTRIBUTION:

SHEET 1 OF 1

Marks:

Connection Diagram
GEM2034E-FIG10

