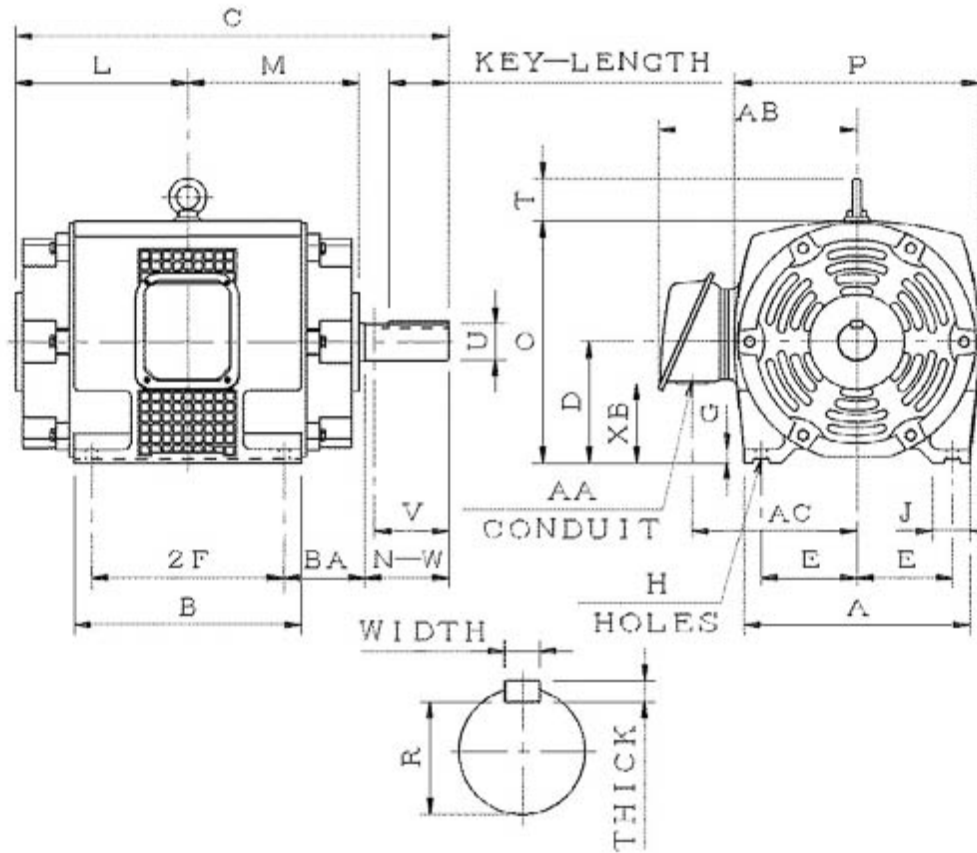


**Dimensional Drawing**

|           |       |     |      |     |            |             |    |      |
|-----------|-------|-----|------|-----|------------|-------------|----|------|
| Catalogue | Model | HP  | Pole | kW  | Rating     | Voltage     | Hz | RPM  |
| SDP7/56   | ASHH  | 7.5 | 6    | 5.6 | Continuous | 230 / 460 V | 60 | 1200 |



ASHH-SMP-3

| Frame Size       | Mounting |      |          |         |                    | A           | B          | C     | CD                           | D          |         |
|------------------|----------|------|----------|---------|--------------------|-------------|------------|-------|------------------------------|------------|---------|
|                  | E        | 2F   | 2F2      | H       | BA                 |             |            |       |                              |            |         |
| 254T             | 5        | 8.25 |          | 0.53    | 4.25               | 11.8        | 9.85       | 20.46 |                              | 6.25       |         |
| G                | J        | K    | L        | M       | O                  | P           | T          | Key   |                              |            | Keyseat |
| 0.65             | 1.95     |      | 8.8      | 8.05    | 12.7               | 12.7        | 2          | Width | Thick                        | Length     | R       |
|                  |          |      |          |         |                    |             |            | 0.375 | 0.375                        | 2.91       | 1.416   |
| Terminal Housing |          |      |          | Aux Box |                    | C/D Flange  |            |       |                              |            |         |
| AA               | AB       | AC   | XB       | AE      | AX                 | BB          | AH         | AK    | BD                           | Aj         | BF      |
| 1.38             | 10.28    | 8.58 | 4.2      |         |                    |             |            |       |                              |            |         |
| Shaft Extension  |          |      | Bearings |         | Approx. Weight Lbs | SPL dBA/3ft | Ins. Class | S.F.  | Drive Method                 | Dimensions |         |
| N-W              | U        | V    | DE       | NDE     |                    |             |            |       |                              |            |         |
| 4                | 1.625    | 3.9  | 6310ZZ   | 6309ZZ  | 247                | 55          | F          | 1.15  | Direct Coupling / Belt Drive | Inches     |         |

### Technical Data Sheet

Motor Type: ASHH

Catalogue No: SDP7/56

#### Nameplate Information

|           |            |                |             |             |              |                |
|-----------|------------|----------------|-------------|-------------|--------------|----------------|
| HP        | Pole       | RPM            | Frame       | Voltage     | Hz           | Phase          |
| 7.5       | 6          | 1170           | 254T        | 230 / 460   | 60           | 3              |
| Enclosure | Ins. Class | Service Factor | Time Rating | NEMA Design | Rated Amb.   | Rated Altitude |
| ODP       | F          | 1.15           | Continuous  | B           | -40 to 40 °C | <3300 ft       |

#### Typical Performance

| Efficiency (%)    |                             |                                 |                                      | Power Factor (%)    |            |                                |
|-------------------|-----------------------------|---------------------------------|--------------------------------------|---------------------|------------|--------------------------------|
| Full Load         |                             | 3/4 Load                        | 1/2 Load                             | Full Load           | 3/4 Load   | 1/2 Load                       |
| Nom.              | Min.                        |                                 |                                      |                     |            |                                |
| 90.2              | 88.5                        | 91.0                            | 89.5                                 | 79.0                | 73.5       | 63.0                           |
| Torque            |                             |                                 |                                      | Current (A)         |            |                                |
| Full Load (lb-ft) | Locked Rotor (% FLT)        | Pull Up (% FLT)                 | Break Down (% FLT)                   | No Load             | Full Load  | Locked Rotor                   |
| 33.66             | 265                         | 240                             | 270                                  | 8.8 / 4.4           | 19.7 / 9.9 | 127 / 64                       |
| NEMA KVA Code     | Inertia (WR <sup>2</sup> )  |                                 |                                      | Safe Stall Time (s) |            | Noise Level Sound Press. dB(A) |
|                   | Rotor (lb-ft <sup>2</sup> ) | NEMA Load (lb-ft <sup>2</sup> ) | Max. Allowable (lb-ft <sup>2</sup> ) | Cold                | Hot        |                                |
| H                 | 0.000                       | 104                             | 267                                  | 33                  | 23         | 55                             |

#### VFD Duty Information

| Speed Range     |                 |                | VFD     |              | S.F.     |
|-----------------|-----------------|----------------|---------|--------------|----------|
| Constant Torque | Variable Torque | Constant Power | Carrier | Type         |          |
| 6-60Hz          | 3-60Hz          | 60-120Hz       | ≤ 5 kHz | VPWM or CPWM | 1.0 Only |

#### Additional Information

| Bearings |        | Approx. Weight |
|----------|--------|----------------|
| DE       | NDE    | lbs            |
| 6310ZZ   | 6309ZZ | 247            |

#### Hazardous Locations Information

|                            |   |
|----------------------------|---|
| N/A                        |   |
| Temp Code (Sinewave / VFD) | / |