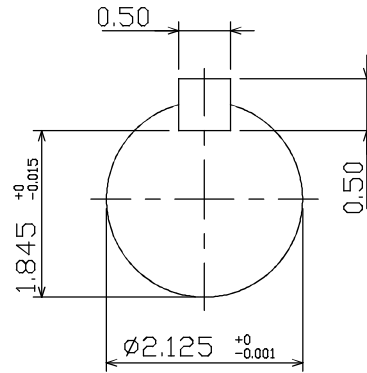
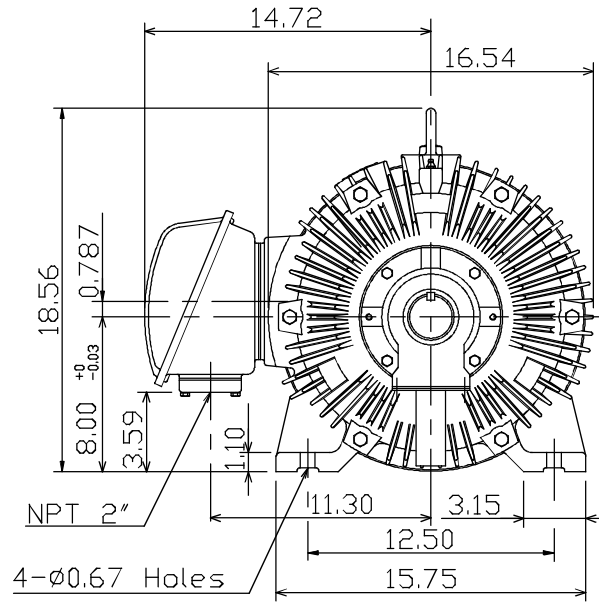
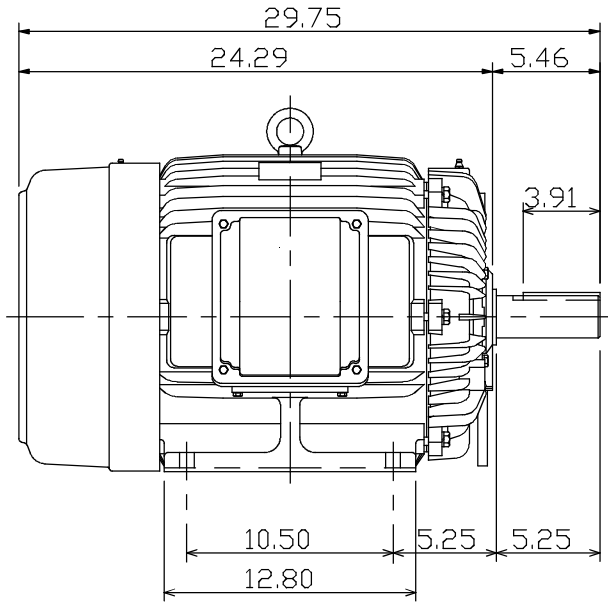


CATALOG NO. CD0256	OUTLINE DIMENSIONS 3-PHASE INDUCTION MOTOR	MOTOR TYPE: AEEAGD
DATE JULY-12-15		FRAME NO. 324T

Pole	HP	kW	Hz	VOLT	r/min(rpm)
6	25	19	60	230/460	1200

Ins	Rating	Dimension in	Approx Weight	Bearings	
F	CONT.	inches	557 lbs.	DE: 6312	NDE: 6212

Totally Enclosed Fan-Cooled Type, Squirrel-Cage Rotor.



NOTE:

- ENCLOSURE: IP55
- SHAFT MATERIAL: SCM440 Q&T (AISI 4140 EQUIV)
- WITH THERMISTOR: PTC 140°C × 3PCS  
WIRED IN MAIN TERMINAL BOX

TW-36C

	DWG. C. RAM	07 12 15
--	-------------	----------

DWG.	J.S.LIN	06.15.13
CHKD.	K.L.KUD	06.15.13
APPD.	C.H.SHYU	06.15.13



DWG NO.  
31057H257550