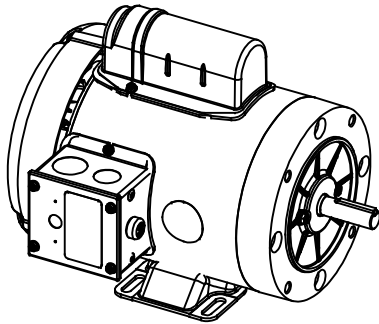
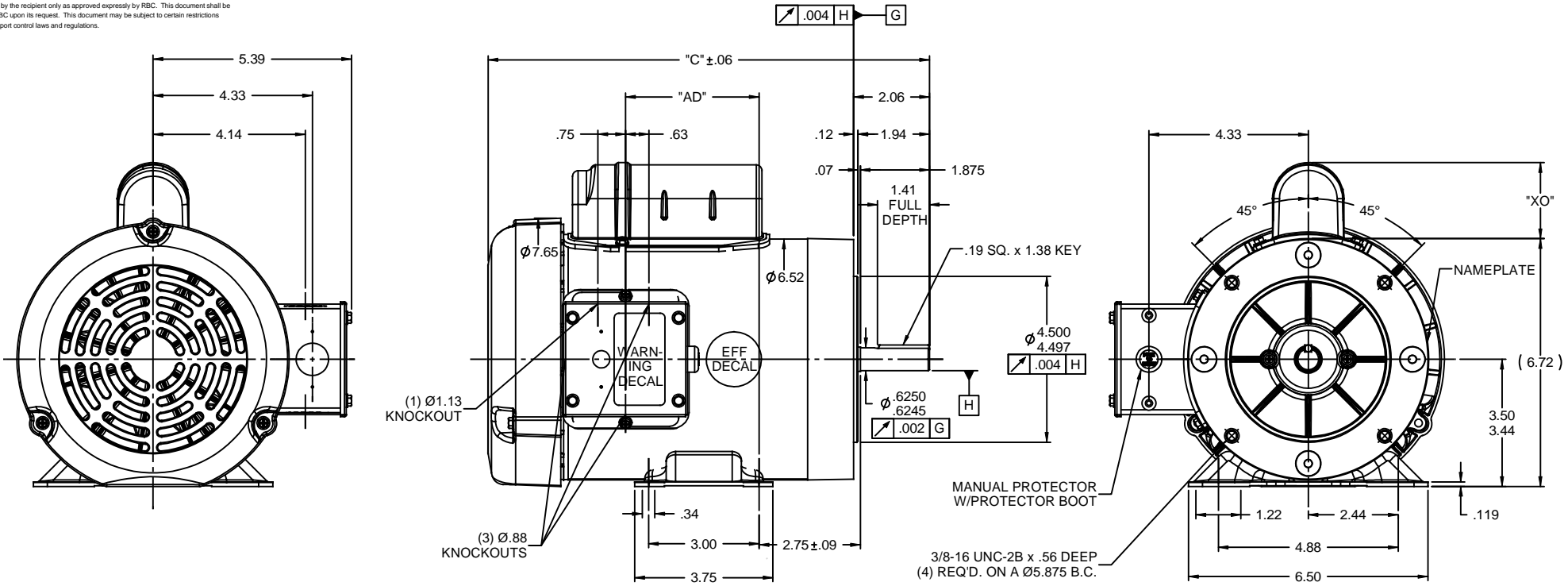


RBC PROPRIETARY AND CONFIDENTIAL INFORMATION
 This document is the property of REGAL BELOIT CORPORATION ("RBC") including its subsidiaries and divisions and contains proprietary information of RBC. This document is loaned on the express condition that neither it nor the information contained therein shall be disclosed to others without the express written consent of RBC, and that the information shall be used by the recipient only as approved expressly by RBC. This document shall be returned to RBC upon its request. This document may be subject to certain restrictions under U.S. export control laws and regulations.



DASH NO.	"C"	"AD"	CAP DASH	"XO"
550	10.98	2.62	A	1.54
600	11.48	3.12	B	2.01
650	11.98	3.62	C	2.25
700	12.48	4.12		
750	12.98	4.62		
800	13.48	5.12		

NOTES:
 1) GASKETS THROUGHOUT

TOLERANCES UNLESS SPECIFIED		DEC INCHES		LEESON	ELECTRIC MOTORS GEARMOTORS AND DRIVES	DRAWN GRB_07/15/2008
XX	±.03	X	±.1			
02	ADDED ITEM #550(116485.00)	GRB 12/1/2008	DJ	XXX	±.005	TITLE OUTLINE - 56C FRAME
01	ADDED ITEM #600(116922.00)	GRB 11/21/2008	DJ	XXXX	±.0005	TEFC - "C" FACE
NO	REVISION	BY & DATE	CHK	ANG	±1/2°	MATL
	THIRD ANGLE PROJECTION		RFP	07/15/2008	FINISH	SCALE 3:8
			PREV			REF 028831
			NETWORK FILE NAME			FMF 110909.00
			SIZE	DRAWING NO	REV	PAGE 1 OF 1
			B	028851	02	