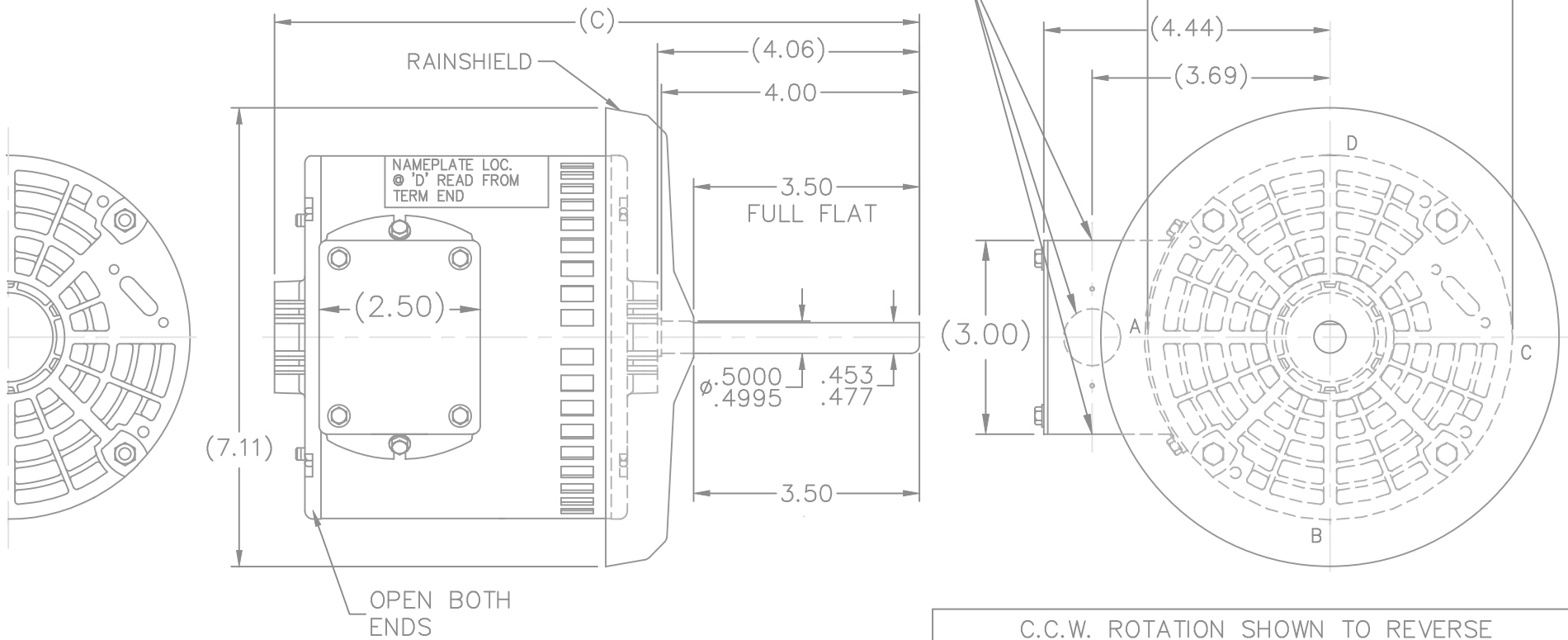


TERM. END

∅.88 KNOCKOUTS
3 PLACES



DASH	FRAME	C
475	48Y	10.19
500	48Y	10.44
638	48Y	11.82
825	48Y	13.69

C.C.W. ROTATION SHOWN TO REVERSE INTERCHANGE BLUE & BLACK LEADS

LOW VOLT		HIGH VOLT	
PURPLE	—○—	LINE 1	—○—
WHITE	—○—	LINE 2	—○—
YELLOW	—○—		—○—
BLACK	—○—		—○—
ORANGE	—○—	INSULATE	—○—
RED	—○—		—○—
BLUE	—○—	INSULATE	—○—
			—○—

			TOLERANCES UNLESS SPECIFIED	
NO.	REVISION	BY & DATE	CHK	ANG
4	UPDATED DRAWING	TJW 04/20/2007	.X	±.1
3	CHANGED TO LEESON CONDUIT BOX PER CN39440-2	TJW 9/20/2007	ML	.XX ±.03
2	REDRAWN IN AUTOCAD	TAT 08-03-2004	ML	.XXX ±.005
1	NEW DRAWING	DD 03-26-1993		.XXXX ±.0005



DRAWN DD 03-22-1993	
CHK ML 03-23-1993	APPD RJS 03-23-1993
SCALE 13=32	
REF	
FMF	
PREV	

THIS DRAWING IN DESIGN AND DETAIL IS OUR PROPERTY AND MUST NOT BE USED EXCEPT IN CONNECTION WITH OUR WORK ALL RIGHTS OF DESIGN AND INVENTION ARE RESERVED THIS IS AN ELECTRONICALLY GENERATED DOCUMENT - DO NOT SCALE THIS PRINT		RFP	CAD FILE ss75675	SIZE A	DRAWING NO. SS75675	PAGE OF	REV. 4
		DIST WP					