

# Product Information Packet

November 7, 2016

Data shown is for the current revision model #. Ensure your nameplate model # matches.

<b>Model Number:</b>	<b>5KS256ATE204A</b>
<b>Catalog Number:</b>	<b>E7649</b>
<b>Instruction Manual:</b>	GEI-M1023
<b>Connection Diagram:</b>	GEM2034E-FIG7
<b>Outline Drawing:</b>	358B6216AB

## Accessory Connection Diagrams

<b>Bearing Thermocouple:</b>	None	<b>Heater:</b>	None
<b>RTD:</b>	None	<b>Thermistor:</b>	None
<b>Thermostat:</b>	None	<b>Winding Thermocouple:</b>	None
<b>Bearing RTD:</b>	None		

## Table of Contents

Specification	01
Performance Characteristics	02
Outline Drawing	03
Connection Drawing(s)	04



**Marks:**

<b>MODEL NUMBER:</b>	<b>5KS256ATE204A</b>	<b>Estimated Weight:</b>	450 Lbs
<b>Outline Drawing:</b>	358B6216AB	<b>Time Rating:</b>	CONT
<b>Connection Diagram:</b>	GEM2034E-FIG7	<b>Enclosure:</b>	DP
<b>Instruction Book:</b>	GEI-M1023	<b>Encl Construction:</b>	OPEN
<b>Design Code:</b>	25AD1006B	<b>Ambient Max(°C):</b>	40
<b>Type:</b>	KS	<b>Alt Ambient Max(°C):</b>	--
<b>Frame:</b>	256T	<b>Insulation Class:</b>	F
<b>Phases:</b>	3	<b>NEMA Design:</b>	A
<b>Poles:</b>	4	<b>Nominal Efficiency:</b>	93.0 %
<b>Output Power:</b>	20HP 14.8KW	<b>Guaranteed Efficiency:</b>	91.7
<b>RPM:</b>	1765	<b>3/4 Load Efficiency:</b>	93.7
<b>Voltage:</b>	575	<b>KVA Code:</b>	G
<b>Hertz:</b>	60	<b>Max KVAR:</b>	5.9
<b>Amps - FL:</b>	19.1	<b>Power Factor:</b>	83.5
<b>Service Factor:</b>	1.15	<b>Bearing - DE:</b>	6310ZZ
<b>Alt Service Factor:</b>	--	<b>Bearing - ODE:</b>	6208ZZ

Enclosure is Dripproof

---

**Stamped Nameplate Notes:****Additional Information:**

4 POLE DRIP PROOF  
 CONDUIT BOX MATERIAL: STAMPED STEEL  
 CONDUIT BOX VOL: 110.9  
 NO. OF MOTOR LEADS: 3  
 NOT USEABLE AT 200 VOLTS  
 GREASE TYPE: SHELL ALVANIA R3 LITHIUM  
 SOUND POWER DATA: 72.3  
 INVERTER DUTY PER NEMA MG1 PART 31  
 FOR VARIABLE TORQUE LOADS

**Performance Characteristics**

1st Winding 1st Connection

**Design: 25AD1006B**

Marks:

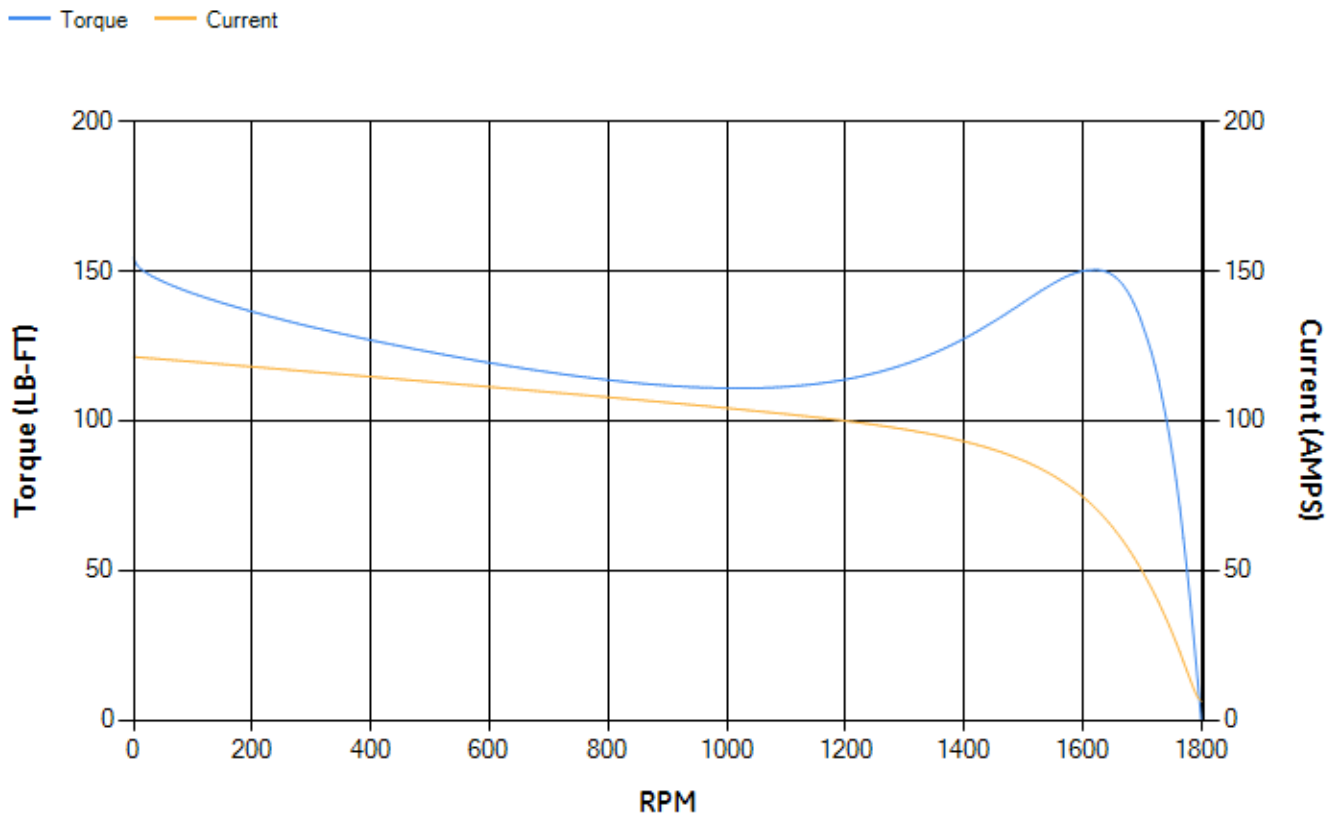
LOAD %	125.0	115.0	100.0	75.0	50.0	25.0	0.0
% EFF	92.08	92.52	93.28	93.65	93.46	90.68	0.00
% PF	85.13	85.05	84.44	81.48	73.59	52.82	5.22
AMPS	23.88	21.88	19.01	14.72	10.89	7.82	6.27

TORQ(FL)#FT	59.43	TORQ(LR)%FL	259.62	TORQ(BD)%FL	251.31
AMPS(LR)	121.32	PF AT START	0.43		

This motor is capable of two cold or one hot start with a maximum connected load inertia of 681 Lb-Ft Sq (28.67 Kg-meter Sq) at 100% voltage, where the load torque varies with the square of the speed. Acceleration time with maximum inertia and the above load type is 38 seconds. Safe stall time at 100% voltage is 64 seconds cold, 56 seconds hot. Rotor inertia is 2.27 Lb-Ft Sq (0.1 Kg-meter Sq).

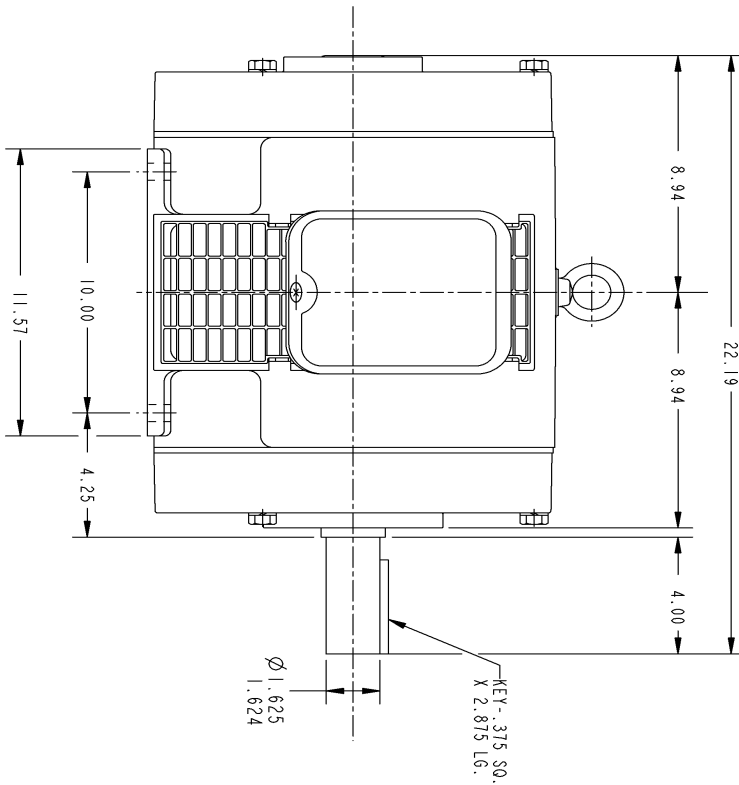
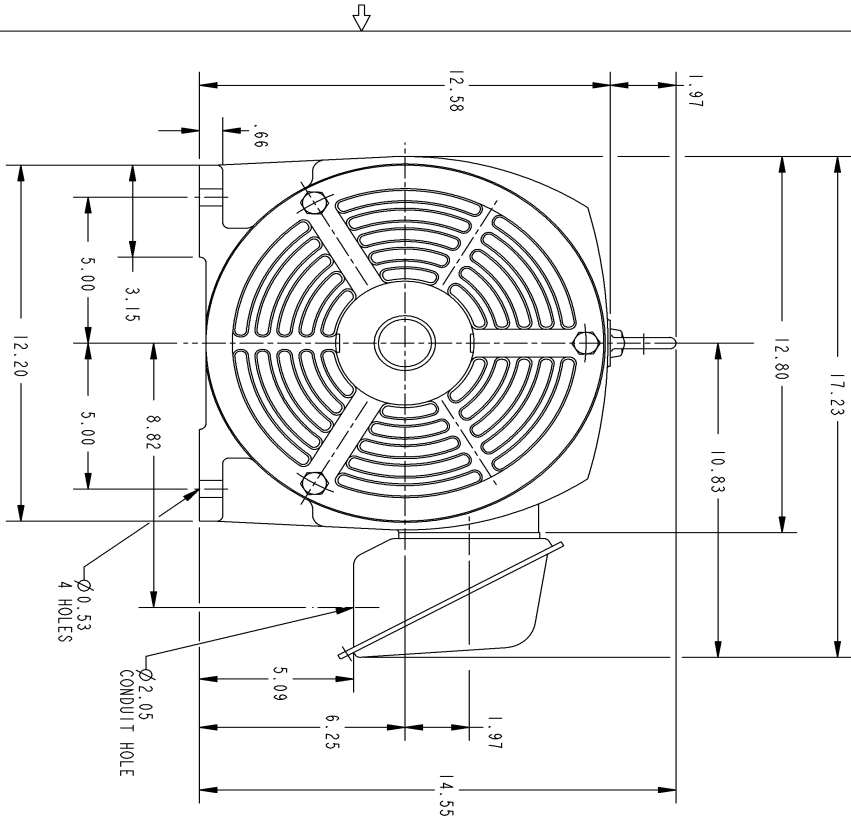
Open Circuit A-C:	0.433	Short Circuit D-C:	0.018
Short Circuit A-C:	0.019	X/R Ratio:	6.968
Stator Slots:	48	Rotor Slots:	40

**Speed Torque Current Curve (First Connection, First Speed)**



NAME:501452442 OBJECT:358B6216AB DATE:23-May-07 23:53:38

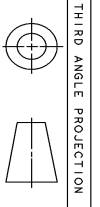
Marks:



SIZE DRAWING FOR  
**358B6216AB**  
 GE PROPRIETARY INNOVATION

REV.	DESCRIPTION	DATE	APPROVED
1	ISAAC 07-0770	05/02/07	R. KOHNE

- NOTES :
1. CONDUIT BOX MAY BE PLACED WITH THE ENTRANCE DOWN, UP OR ON EITHER SIDE.
  2. F-1 ASM AS SHOWN.
  3. F-2 ASM - HAS CONDUIT BOX ON OPPOSITE SIDE.



UNLESS OTHERWISE SPECIFIED:		SIGNATURES		DATE	
DIMENSIONS ARE IN INCHES		P. RAJU		03/27/03	
TOLERANCE ON:		CHECKED		03/27/03	
2 PL DECIMALS ± .		ENGR			
3 PL DECIMALS ± .		ISSUED		03/27/03	
ANGLES ± 1°		APPLIED PRACTICES			
MATERIAL:		SIZE DRAWING		REV.	
		B		1	
		SCALE: DRAWING SCALE		SHEET 1 OF 1	

**GE Industrial Systems**  
 GENERAL ELECTRIC COMPANY  
 Fort Wayne, Indiana

**OUTLINE**  
 256T - OPEN DRIP PROOF

**358B6216AB**

DISTRIBUTION:

Marks:

**Connection Diagram**  
**GEM2034E-FIG7**

