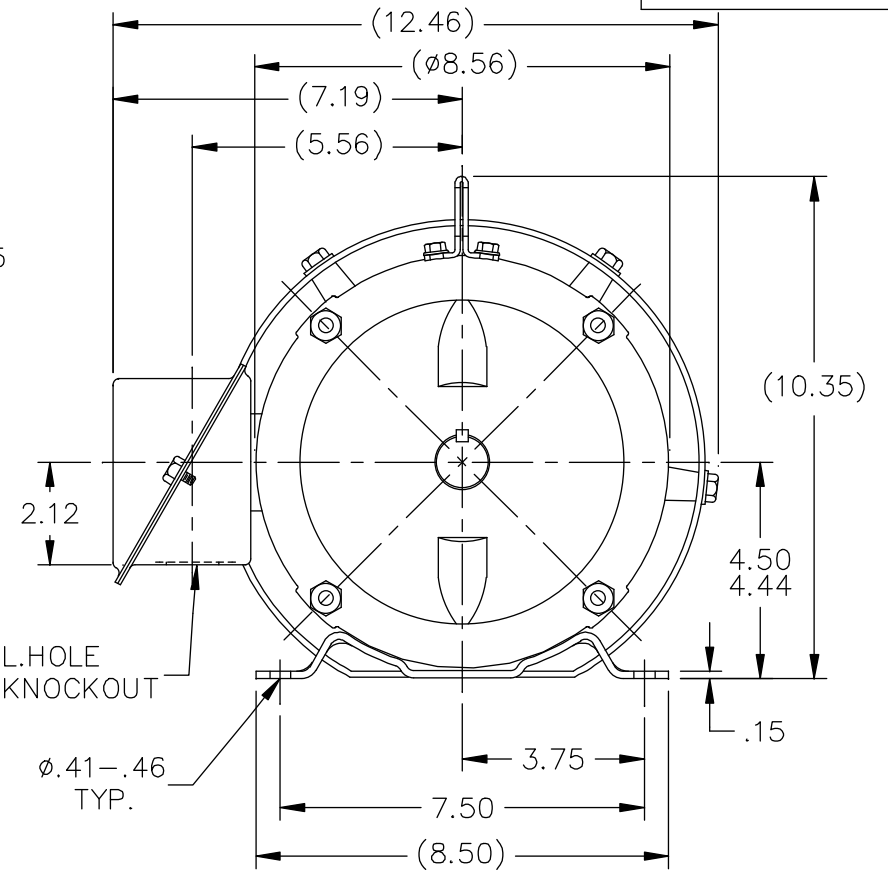
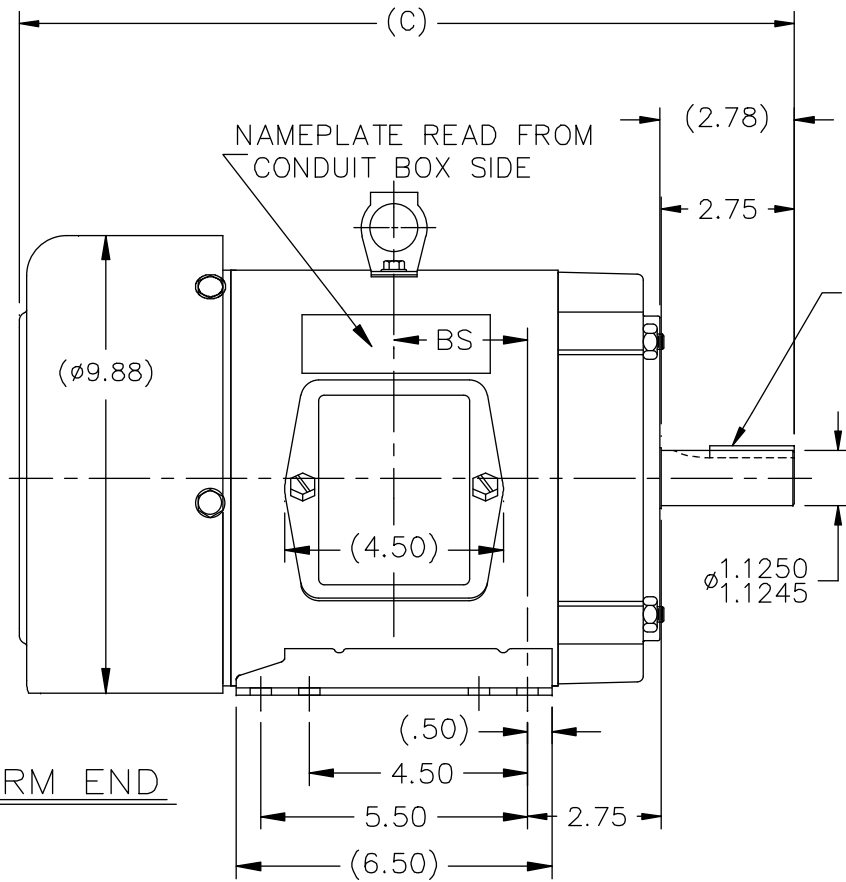


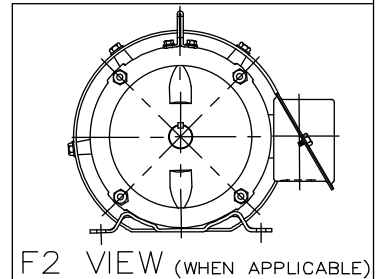
SS65651



TERM END

DASH	FR.	C	BS	MOUNTING
575	182T	14.97	2.25	F1 OR F2
625	182/4T	15.47	2.50	F1 OR F2
675	182/4T	15.97	2.75	F1 OR F2
725	182/4T	16.47	3.00	F1 ONLY
775	182/4T	16.97	3.25	F1 ONLY
825	182/4T	17.47	3.50	F1 ONLY

- NOTES
1. CONDUIT BOX CAN BE ROTATED IN 90° STEPS.
 2. CONDUIT BOX CAN BE MOUNTED ON OPPOSITE SIDE BY REMOVING BRACKETS AND TURNING FRAME 180°.



NO.	REVISION	BY & DATE	CHK	ANG	±7'30"
11	REMOVED "TS" FROM TITLE BLOCK	TAT 06-15-2006	ML		
10	ADDED NEW LIFT LUG CN 32420	ERH 09-24-2003	ML	DEC.	INCHES
9	ADDED LIFT LUG CN 34025	DRS 06-21-2001		.X	±.1
8	REVISED MOUNTING CN 27400-320	BJW 11-12-1999		.XX	±.03
7	ADDED MOUNTING TO DASH TABLE	MRB 10-17-1998		.XXX	±.005
6	RE-ISSUE ADDED (7.19) DIMENSION.	MH 01-29-1998		.XXXX	±.0005

TOLERANCES UNLESS SPECIFIED	DEC.	INCHES
	.X	±.1
	.XX	±.03
	.XXX	±.005
	.XXXX	±.0005
	ANG	±7'30"



TITLE OUTLINE
180T FR. - BB - TEFC
MAT'L.
FINISH

DRAWN DJK 04-16-1993
CHK ML 07-20-1993
APPD GK 07-20-1993
SCALE 1=4
REF
FMF
PREV

THIS DRAWING IN DESIGN AND DETAIL IS OUR PROPERTY AND MUST NOT BE USED EXCEPT IN CONNECTION WITH OUR WORK ALL RIGHTS OF DESIGN AND INVENTION ARE RESERVED THIS IS AN ELECTRONICALLY GENERATED DOCUMENT - DO NOT SCALE THIS PRINT

RFP
DIST LB

CAD FILE ss65651
SIZE A

DRAWING NO. SS65651 PAGE OF 11 REV. 11