

DATE
JUNE 14, 2010
CAT. #: HB0204

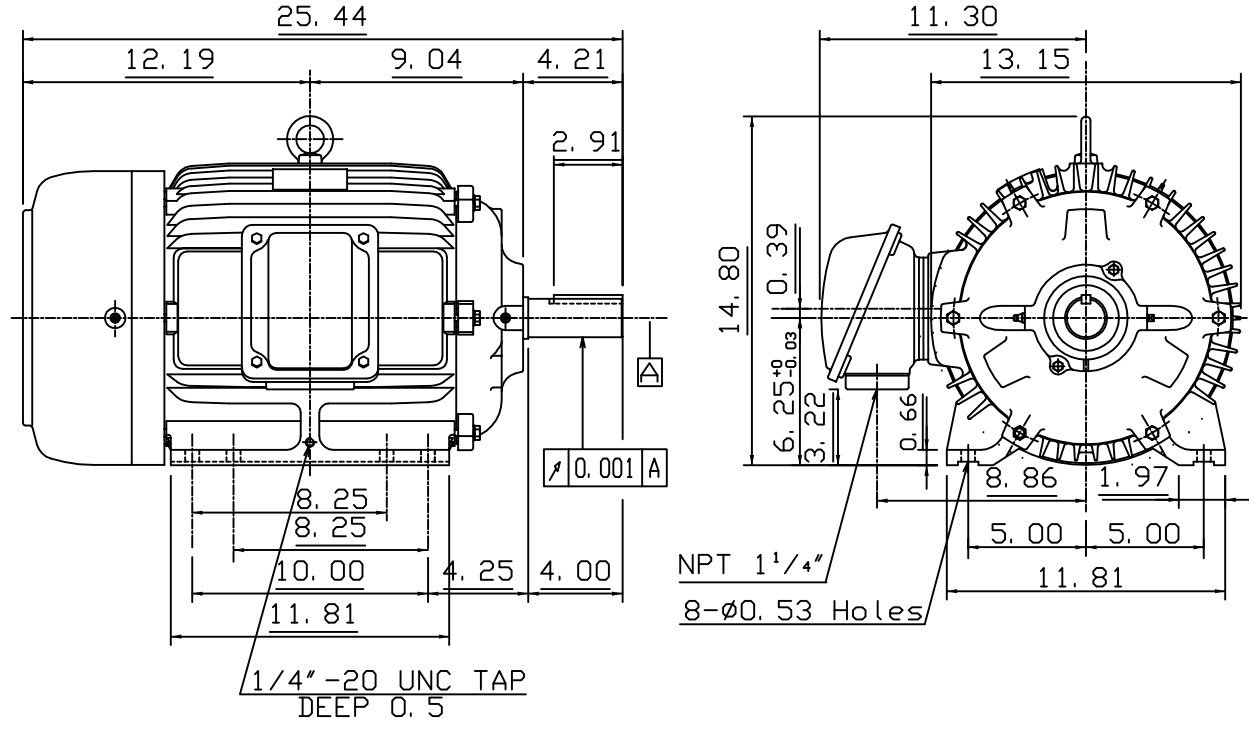
OUTLINE DIMENSIONS
3-PHASE INDUCTION MOTOR

MOTOR TYPE:
AEHH8B
FRAME NO. 256T

| Pole | HP | kW | Hz | VOLT | Syn. Speed r/min(rpm) |
|------|----|----|----|------|--------------------------|
| 4 | 20 | 15 | 60 | 460 | 1800 |

| Ins | Rating | Dimension in | Approx Weight | Bearings |
|-----|--------|--------------|---------------|-----------------------------|
| F | CONT. | inches | 337 lbs. | DE: 6309ZC35CNDE: 6307ZC35C |

Totally Enclosed Fan-Cooled Type. Squirrel-cage Rotor.



- Note:
1. Motor Vibration: 15 μ .
 2. Inpro/Seal in Both End Brackets

01. 20. 05 K. L. KUO

| | | |
|-------|------------|----------|
| DWN. | K. L. KUO | 06-14-03 |
| CHKD. | C. H. KAO | 06-17-03 |
| APPD. | M. C. TSAI | 06-17-03 |



DWG NO.
31049M626311