

Product Information Packet

November 8, 2016

Data shown is for the current revision model #. Ensure your nameplate model # matches.

Model Number:	5KS324STE114A
Catalog Number:	M7511
Instruction Manual:	GEI-M1031
Connection Diagram:	GEM2034E-FIG7
Outline Drawing:	358B6274AB

Accessory Connection Diagrams			
Bearing Thermocouple:	None	Heater:	None
RTD:	None	Thermistor:	None
Thermostat:	None	Winding Thermocouple:	None
Bearing RTD:	None		

Table of Contents	
Specification	01
Performance Characteristics	02
Outline Drawing	03
Connection Drawing(s)	04

Marks:

MODEL NUMBER:	5KS324STE114A	Estimated Weight:	614 Lbs
Outline Drawing:	358B6274AB	Time Rating:	CONT
Connection Diagram:	GEM2034E-FIG7	Enclosure:	TEFC
Instruction Book:	GEI-M1031	Encl Construction:	SD
Design Code:	32AD0012B	Ambient Max(°C):	40
Type:	KS	Alt Ambient Max(°C):	--
Frame:	324TS	Insulation Class:	F
Phases:	3	NEMA Design:	B
Poles:	2	Nominal Efficiency:	92.4 %
Output Power:	40HP 29.6KW	Guaranteed Efficiency:	91.0
RPM:	3540	3/4 Load Efficiency:	92.7
Voltage:	575	KVA Code:	G
Hertz:	60	Max KVAR:	6.1
Amps - FL:	35.6	Power Factor:	91.0
Service Factor:	1.15	Bearing - DE:	6312C3
Alt Service Factor:	--	Bearing - ODE:	6213C3

Enclosure is Totally Enclosed Fan-Cooled

Stamped Nameplate Notes:**Additional Information:**

2 POLE, TEFC, LRA: 222.6 AMPS.
 SOUND POWER : 100.0 DBA
 GREASE: EXXON POLYREX EM
 NO. OF MOTOR LEADS: 3
 CONDUIT BOX VOLUME (CU IN): 272.9
 CONDUIT BOX MATERIAL: CAST IRON
 SUITABLE FOR USE IN CLASS I DIVISION 2 LOCATIONS
 CLASS I DIVISION 2 GROUPS A,B,C,D T3C
 CLASS I ZONE 2 IIC T3C

Performance Characteristics

1st Winding 1st Connection

Design: 32AD0012B

Marks:

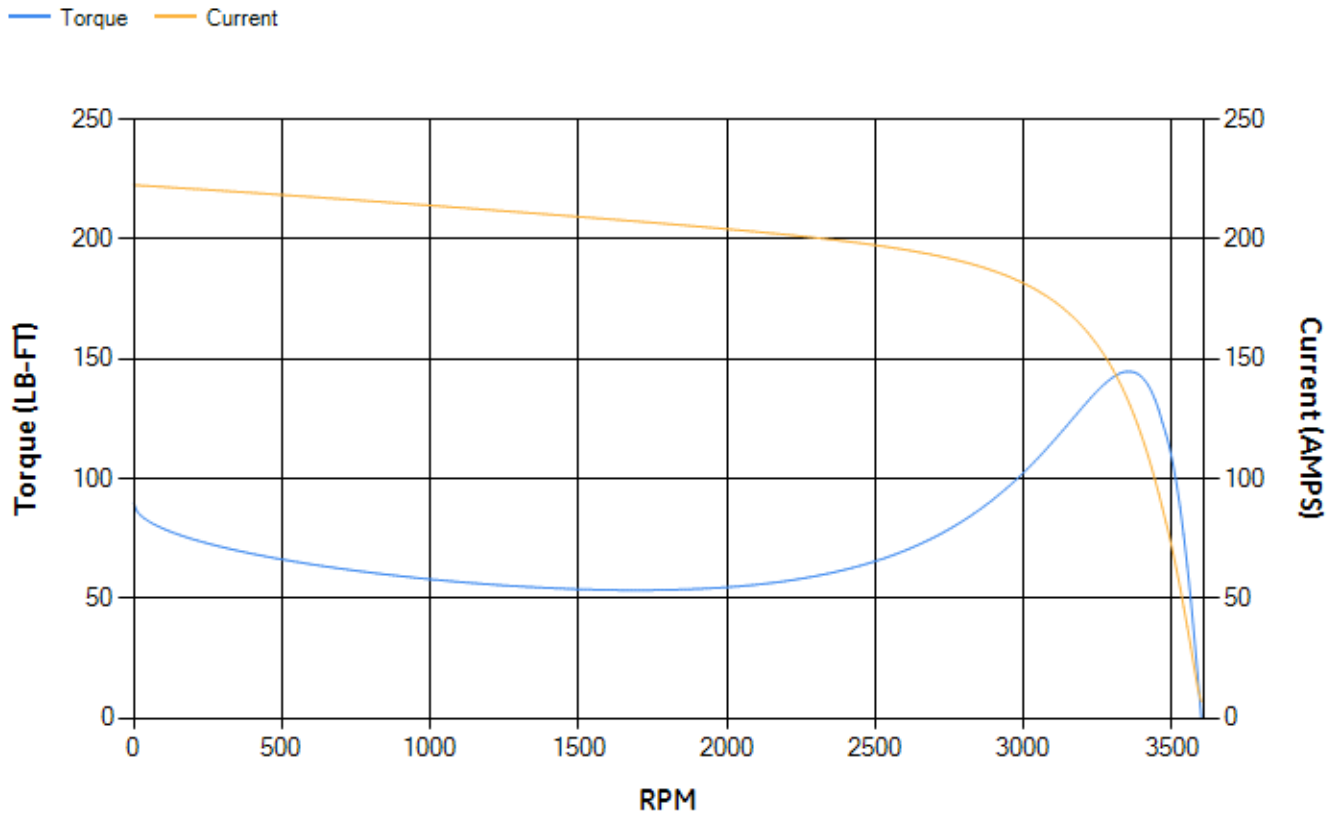
LOAD %	125.0	115.0	100.0	75.0	50.0	25.0	0.0
% EFF	91.24	91.68	92.4	92.66	92.18	88.52	0.00
% PF	90.66	91.02	91.3	90.76	87.66	74.92	12.56
AMPS	45.26	41.27	35.5	26.71	18.53	11.29	6.76

TORQ(FL)#FT	59.32	TORQ(LR)%FL	151.34	TORQ(BD)%FL	242.21
AMPS(LR)	222.59	PF AT START	0.26		

This motor is capable of two cold or one hot start with a maximum connected load inertia of 137 Lb-Ft Sq (5.77 Kg-meter Sq) at 100% voltage, where the load torque varies with the square of the speed. Acceleration time with maximum inertia and the above load type is 31 seconds. Safe stall time at 100% voltage is 59 seconds cold, 37 seconds hot. Rotor inertia is 4.57 Lb-Ft Sq (0.19 Kg-meter Sq).

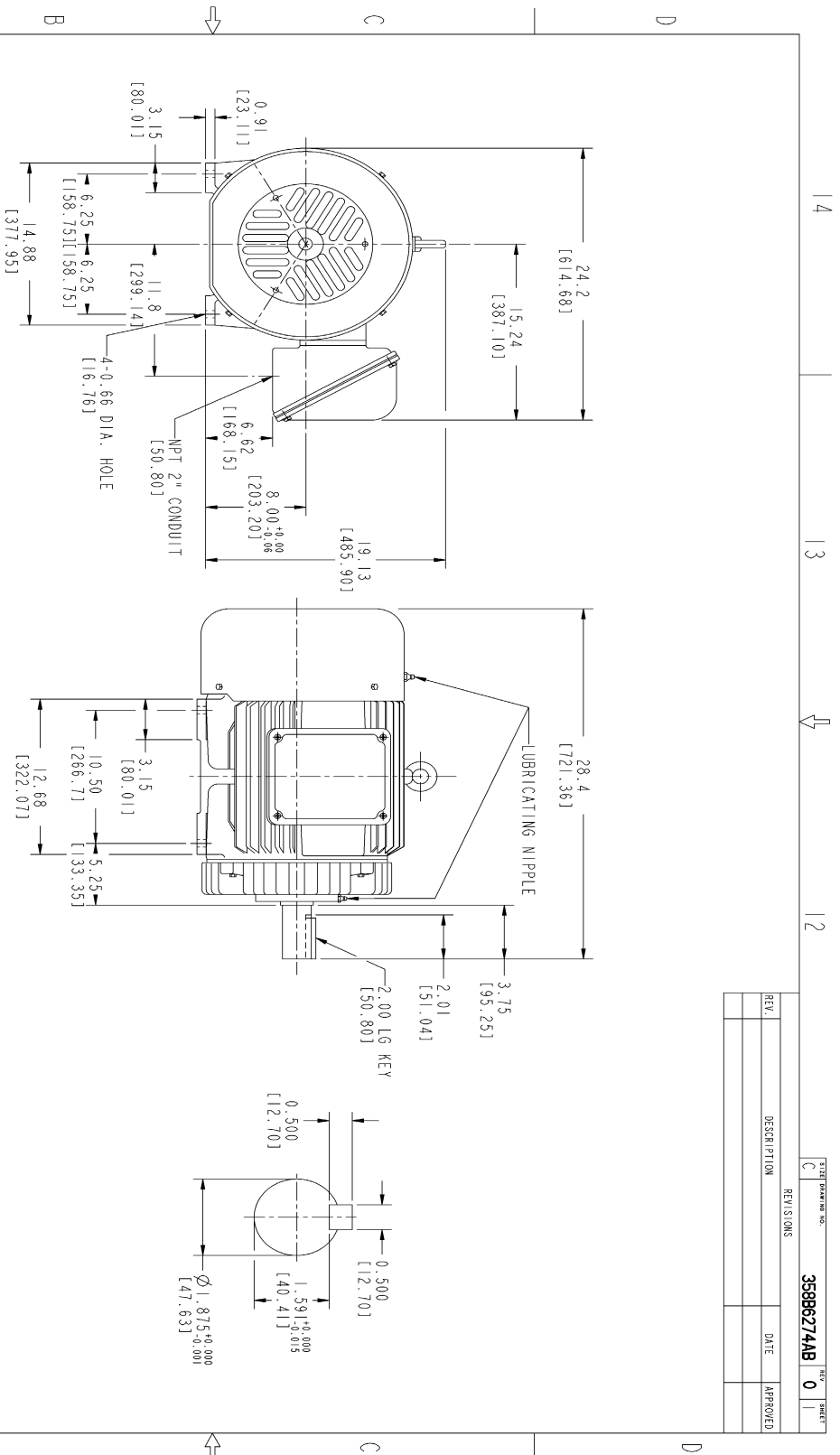
Open Circuit A-C:	0.868	Short Circuit D-C:	0.022
Short Circuit A-C:	0.025	X/R Ratio:	8.341
Stator Slots:	36	Rotor Slots:	28

Speed Torque Current Curve (First Connection, First Speed)



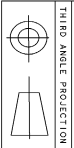
NAME:501291659 OBJECT:358B6274AB DATE:05-Dec-07 10:37:39

Marks:



NOTES:

1. DIMENSIONS ARE IN INCHES.
2. F-1 ASM AS SHOWN.
3. F-2 ASM - HAS CONDUIT BOX ON OPPOSITE SIDE.
4. BRACKETED DIMENSIONS ARE METRIC (MILLIMETERS)
5. ICA11, IP54, IMB34 APPLY



Part must conform to SI 900000 Sect. 4, Toxicity Procedure

FOR ADDITIONAL INFO REFER TO:	SIGNATURES	DATE
APPLICABLE SPECIFICATIONS		
DESIGN OR OTHER SPECIFIED DIMENSIONS ARE IN INCHES		
TOLERANCES UNLESS OTHERWISE SPECIFIED		
1 F.L. DECIMALS ±		
2 F.L. DECIMALS ±		
3 F.L. DECIMALS ±		
ANGLES ±		
FRACTIONS ±		
FINISH		

GENERAL ELECTRIC COMPANY	DATE
MOELL	11/14/07
SOMMER	11/14/07
SANJAY	11/14/07
R. KOHNE	11/14/07
ISSUED	11/14/07

OUTLINE
 FTD - 324TS TERC CE MARK
 2729 CU IN CONDUIT BOX
 358B6274AB
 SHEET 1 OF 1

REV.	DESCRIPTION	DATE	APPROVED

TITLE DRAWING NO. **358B6274AB** REV. **0** SHEET **1**
 C REVISIONS

Marks:

Connection Diagram
GEM2034E-FIG7

