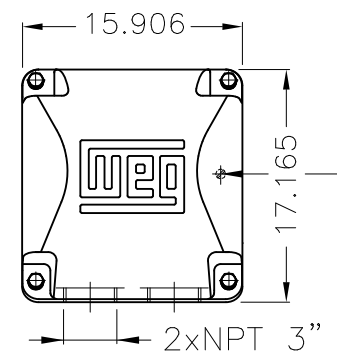
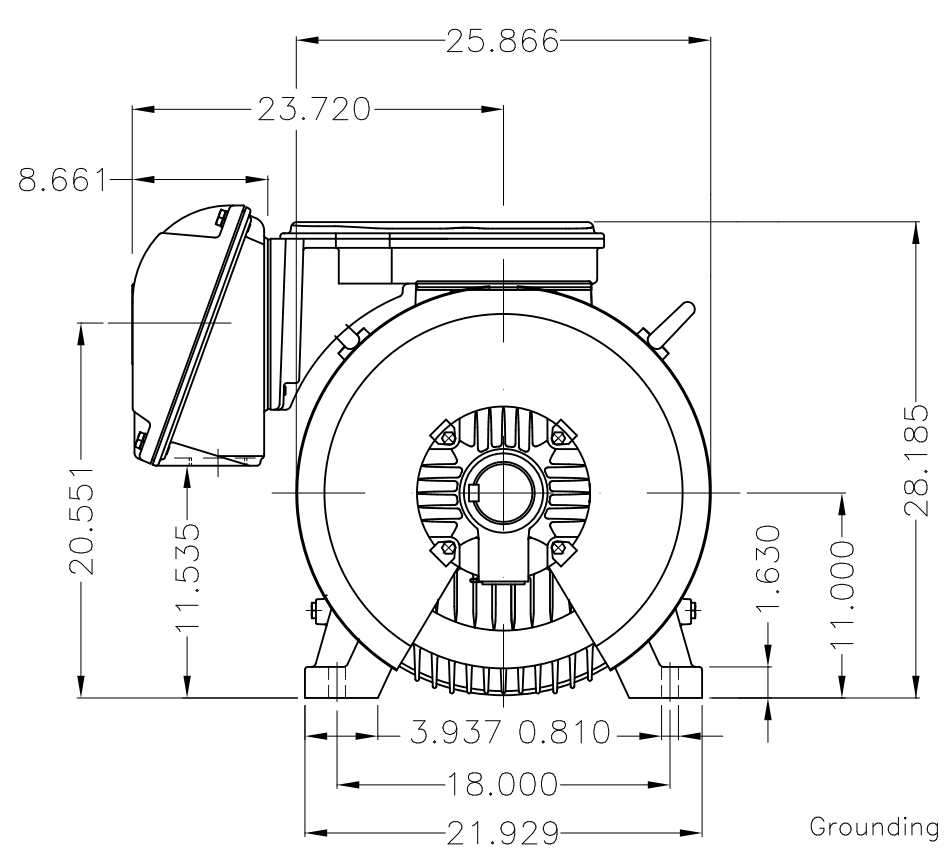


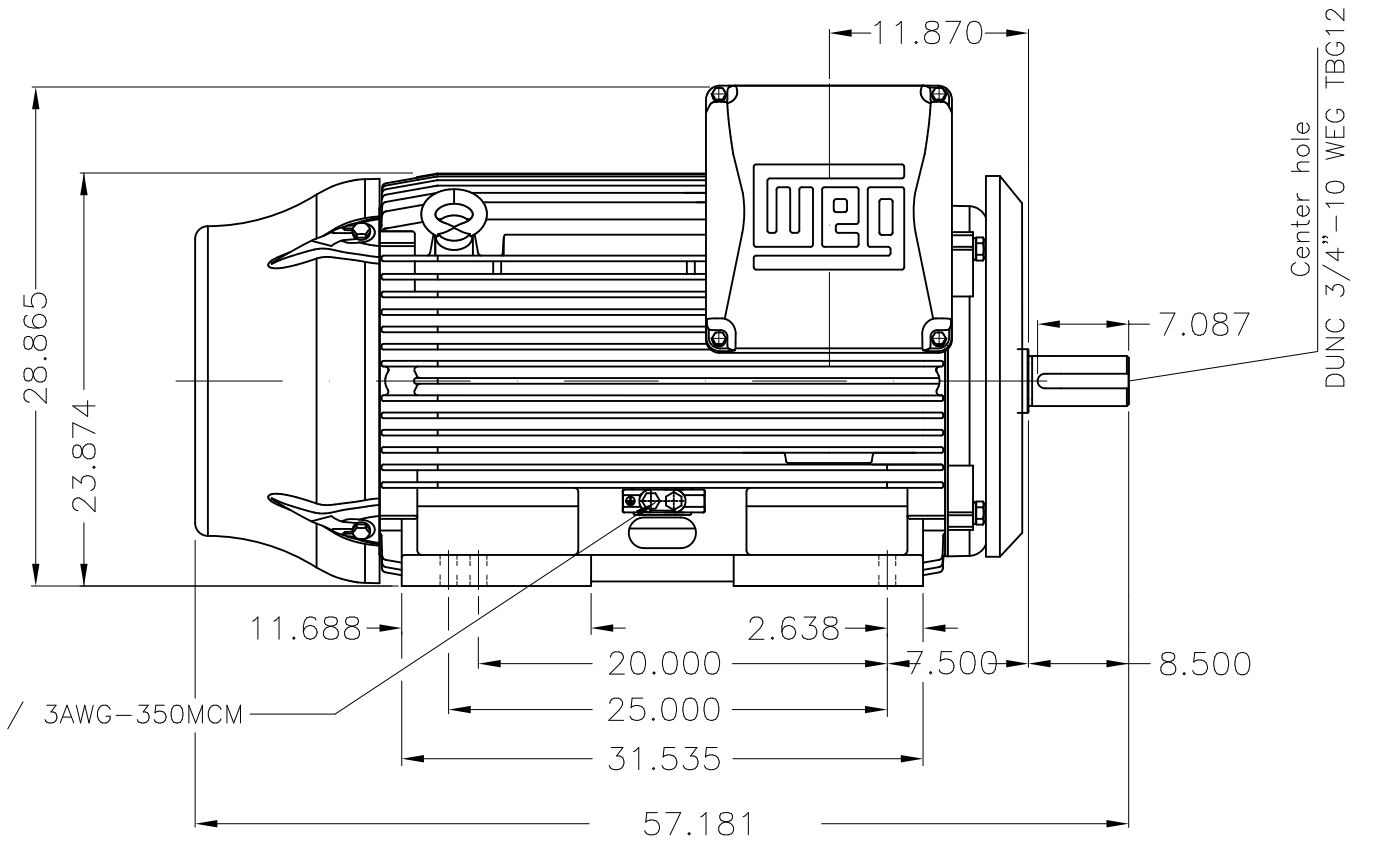
Dimensões em polegada
Dimensions in inches

THIS IS AN UPDATED REVISION, THE
PREVIOUS ONE MUST BE DISREGARDED.



Main terminal box

Grounding for leads 35-70 mm² / 1-2/0 AWG



Center hole
DUNC 3/4"-10 WEG TBG12

Grounding for leads 25-185 mm² / 3AWG-350MCM



DE Shaft End

- DE roller bearing
- Shaft locking device
- Standard balancing with half key
- NDE endshield with electrically insulated bearing hub
- Drive-End Air Deflector
- Color RAL 6002
- Painting plan 203A
- Mounting B3R(D)

ECM	LOC	SUMMARY OF MODIFICATIONS	EXECUTED	CHECKED	RELEASED	DATE	VER
EXECUTED	USERADMIN	THREE PHASE W22 MOTOR - NEMA PREMIUM EFF					
CHECKED		FRAME L447/9T IP55 TEFC					
RELEASED		WEG code: 11408913					
REL DT	24.07.2017	WMO Jaragua do Sul	Product Engineering	SHEET	1 / 1		

500 HP 04 Poles 60Hz

