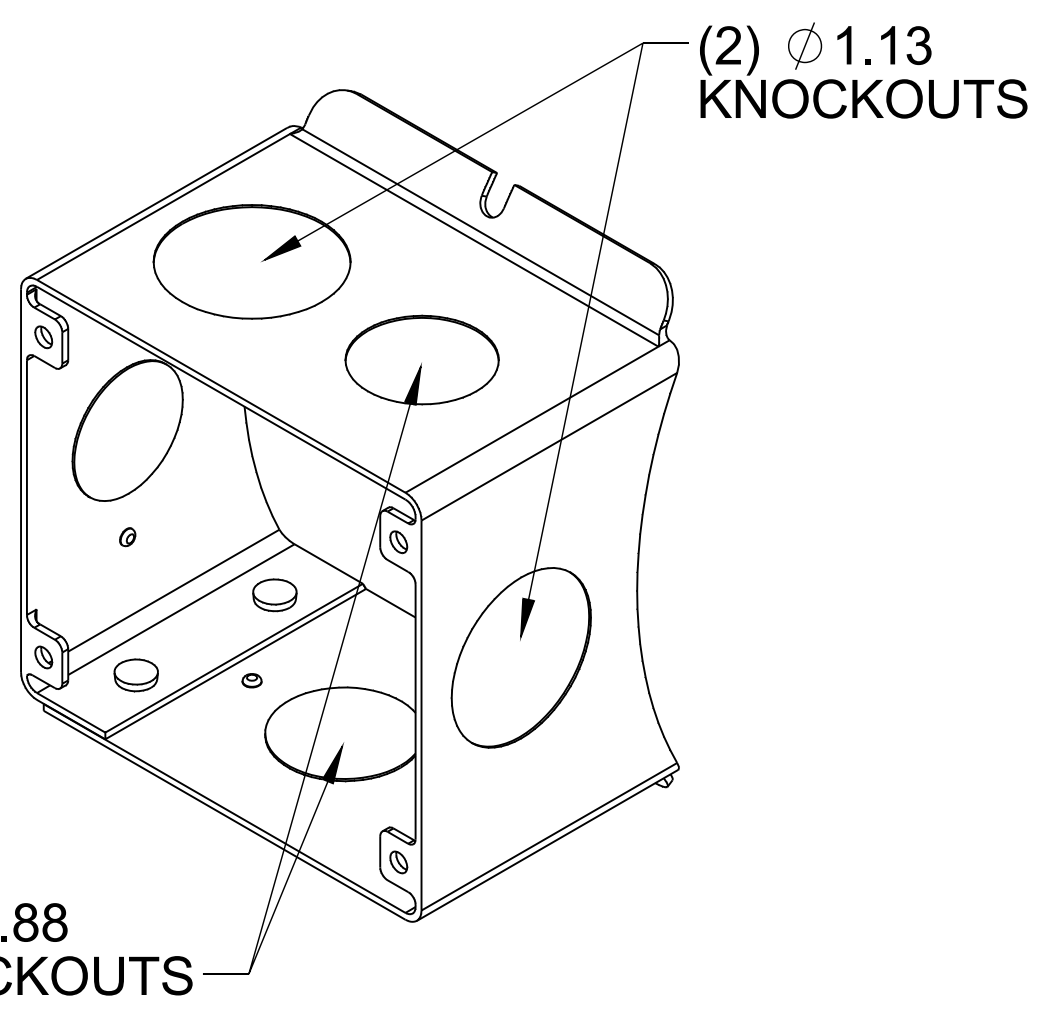


(4) 3/8-16 UNC-2B x .56 DEEP ON A Ø5.875 B.C.

DASH NO.	"C"	"AD"
650	17.16	6.57
700	17.66	7.07
750	18.16	7.57
800	18.66	8.07

NOTE:
1) GASKETS THROUGHOUT



KNOCKOUT LOCATION
DETAIL VIEW

DRAWING REVISION D	REVISION BY LK	DATE 12/11/2015
ECO ECO-0090302	APPROVED BY GRB	DATE 12/11/2015
ECO DESCRIPTION UPDATED OUTLINE		
<small>COPYRIGHT REGAL BELOIT AMERICA, INC. ALL RIGHTS RESERVED. PROPRIETARY AND CONFIDENTIAL INFORMATION - THIS DOCUMENT IS THE PROPERTY OF REGAL BELOIT AMERICA, INC. ("OWNER") AND CONTAINS OWNER'S PROPRIETARY INFORMATION. ANY PERSON, CORPORATION OR OTHER FIRM RECEIVING IT IS DEEMED, BY RECEIVING IT, TO AGREE THAT IT, AND/OR ANY PART OF IT, SHALL NOT BE DISCLOSED TO ANY PERSON, CORPORATION OR OTHER ENTITY, DUPLICATED, AND/OR USED, EXCEPT AS EXPRESSLY APPROVED IN WRITING IN ADVANCE BY OWNER. THIS DOCUMENT SHALL BE RETURNED TO OWNER UPON REQUEST. IT MAY BE SUBJECT TO CERTAIN RESTRICTIONS UNDER APPLICABLE EXPORT CONTROL LAWS AND REGULATIONS.</small>		

TOLERANCES UNLESS OTHERWISE SPECIFIED:
 DEC. INCH mm ANGLE
 .X ±0.1 [±2.5] ±0.5°
 .XX ±0.01 [±0.25]
 .XXX ±0.005 [±0.127]
 .XXXX ±0.0005 [±0.0127]
 REMOVE BURRS & BREAK SHARP EDGES: .003/.015 [0.076/.381] X 45°
 CORNER FILLETS: R.02 [.51]
 MACHINED SURFACES: 125 3.2 INCH mm
 mm SHOWN IN [BRACKETS]

DRAWN BY
GRB
DATE
07/10/08
APPROVED BY
DJ
DATE
07/10/08
REFERENCE
028790
THIRD ANGLE PROJECTION

REGAL™ Regal Beloit America, Inc.

DESCRIPTION
OUTLINE
TEFC - "C" FACE - BRAKEMOTOR

MATERIAL PROCESS/FINISH

SIZE **B** DRAWING NUMBER **028825** SHEET 1 OF 1