

DATE
JUNE 21, 2005
CATALOG NO.
EP0606

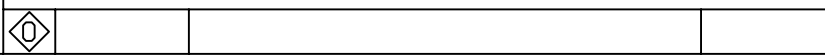
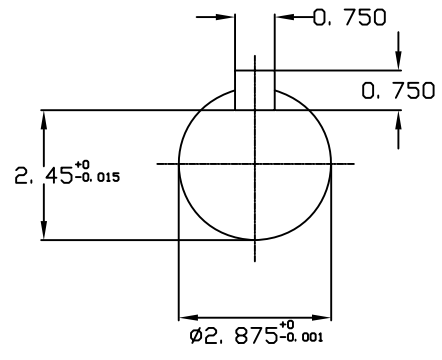
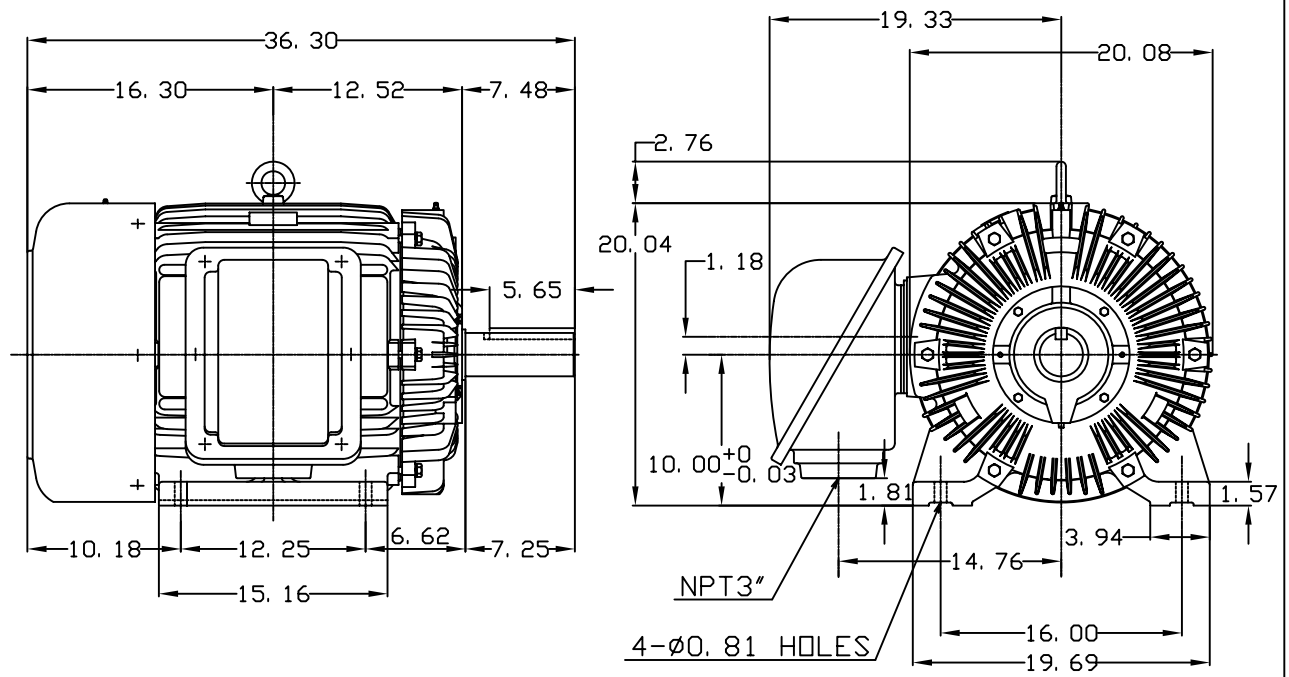
OUTLINE DIMENSIONS
3-PHASE INDUCTION MOTOR

MOTOR TYPE:
AEHH8N
FRAME NO. 404T

| Pole | HP | KW | Hz | VOLT | Syn. Speed RPM |
|------|----|----|----|---------|-------------------|
| 6 | 60 | 45 | 60 | 230/460 | 1200 |

| Ins | Rating | Dimension in | Approx Weight | Bearings | |
|-----|--------|--------------|---------------|----------|-----------|
| F | CONT. | inches | 1166 lbs. | DE: 6317 | NDE: 6313 |

Totally Enclosed Fan Cooled Type, Squirrel-cage Rotor.



| | | |
|-------|-------------|----------|
| DWN. | J. H. LIANG | 11-30-98 |
| CHKD. | C. H. KAD | 12-26-98 |
| APPD. | Y. B. HUANG | 12-26-98 |



DWG NO.
31057H371000