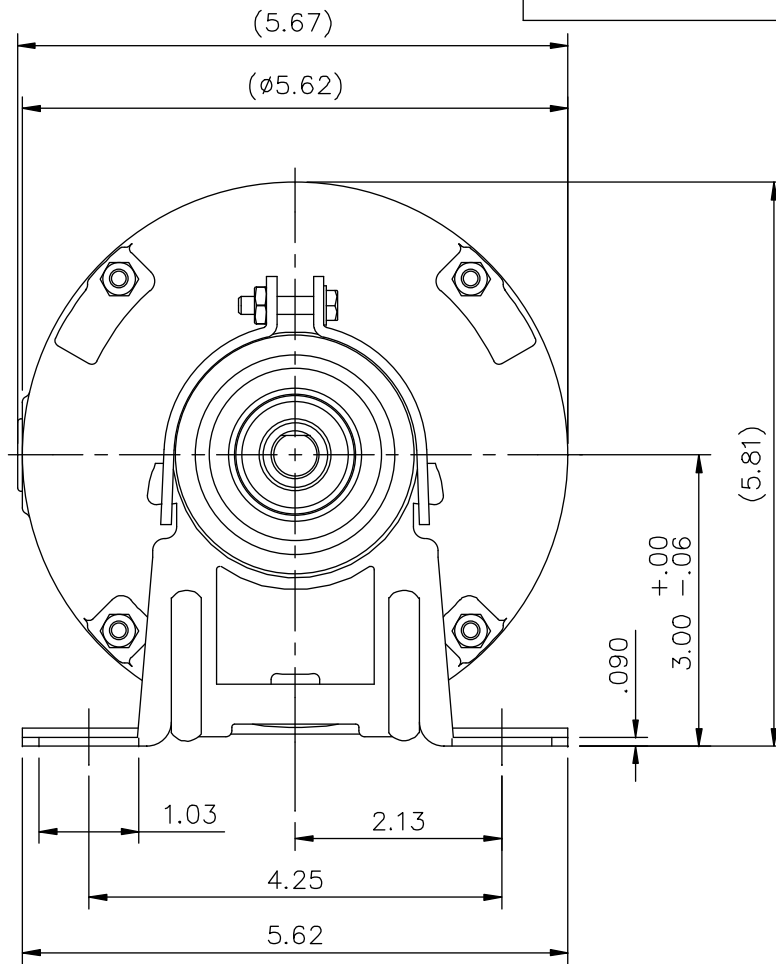
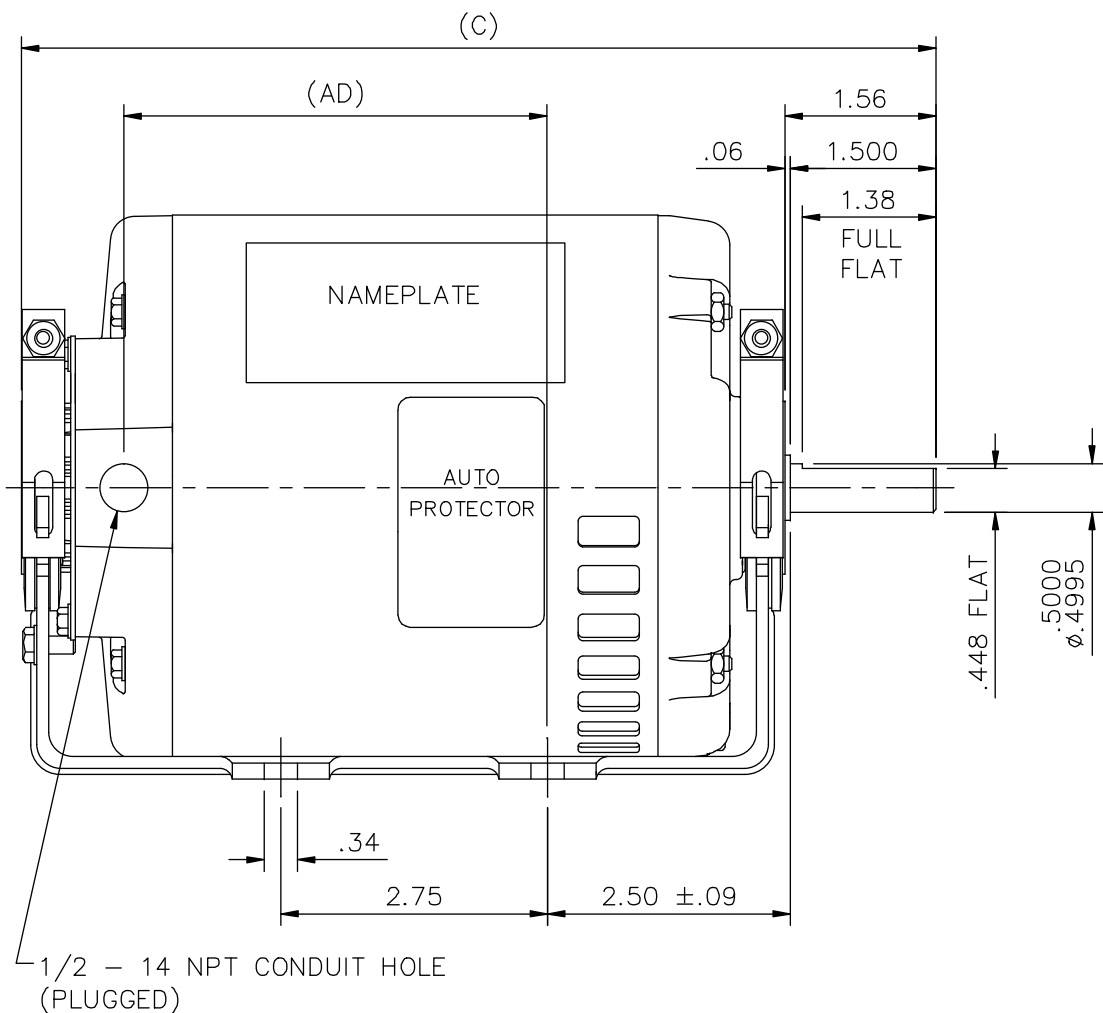



SS404043



DASH	C	AD
500	9.43	4.36
550	9.93	4.86
575	10.18	5.11
600	10.43	5.36

				TOLERANCES UNLESS SPECIFIED		 ELECTRIC MOTORS GEARMOTORS AND DRIVES	DRAWN KR 08/01/2013			
				DEC.	INCHES		CHK SM 08/01/2013			
				.X	±.1		APPD			
				.XX	±.03		SCALE 1:1			
				.XXX	±.005		REF OL101865			
				.XXXX	±.0005	TITLE	OUTLINE - 48 FRAME RESILIENT MOUNT - DRIP PROOF			
						MAT'L.	1 PHASE			
NO.	REVISION	BY & DATE	CHK	ANG	±1/2'	FINISH		PREV		
THIS DRAWING IN DESIGN AND DETAIL IS OUR PROPERTY AND MUST NOT BE USED EXCEPT IN CONNECTION WITH OUR WORK ALL RIGHTS OF DESIGN AND INVENTION ARE RESERVED THIS IS AN ELECTRONICALLY GENERATED DOCUMENT - DO NOT SCALE THIS PRINT				RFP		CAD FILE	SS404043	SIZE	DRAWING NO.	REV.
				DIST				A	SS404043	