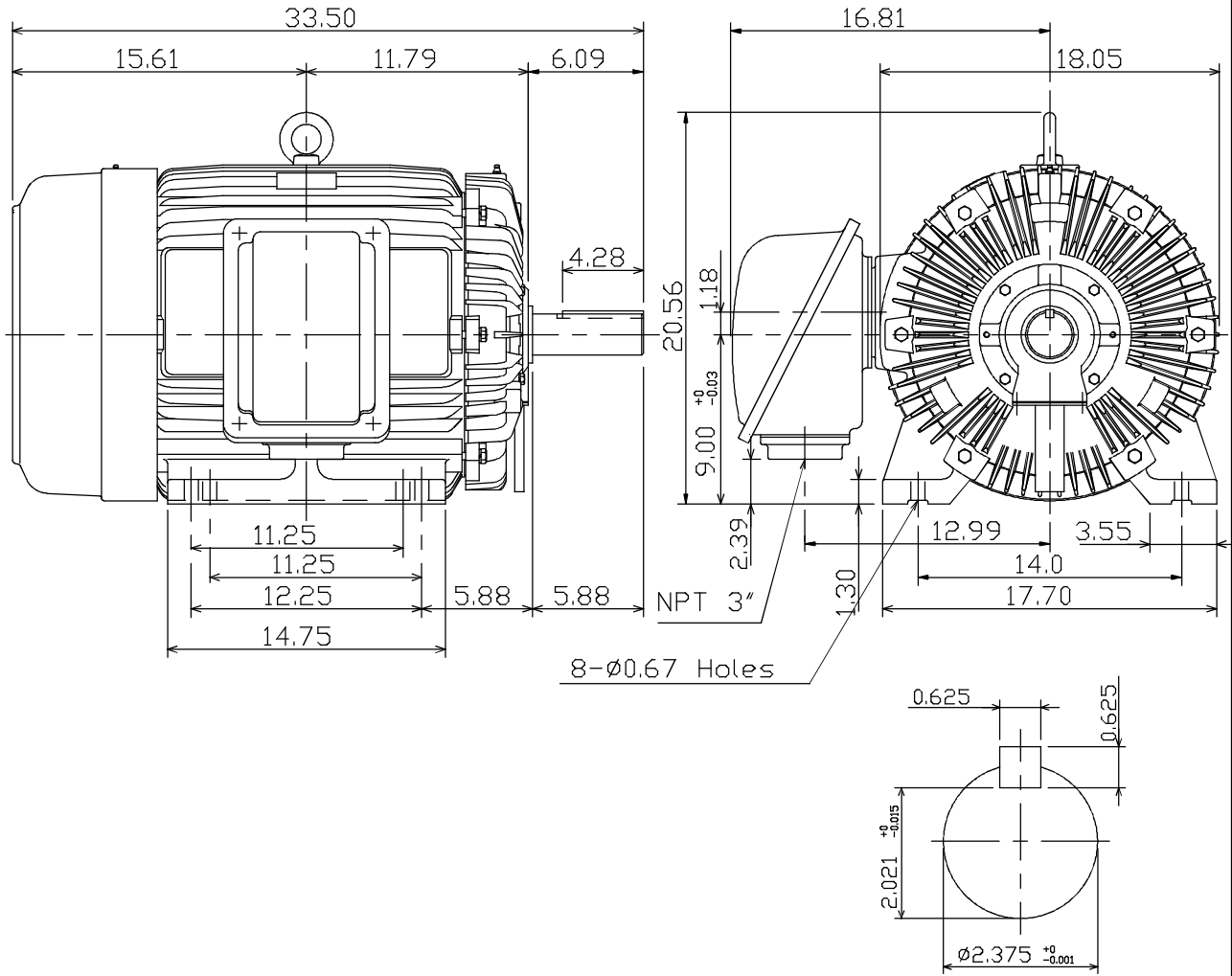


CATALOG NO. CD0506	OUTLINE DIMENSIONS 3-PHASE INDUCTION MOTOR	MOTOR TYPE: AEEAGD
DATE JULY-20-15		FRAME NO. 365T

Pole	HP	kW	Hz	VOLT	r/min(rpm)
6	50	37	60	230/460	1200

Ins	Rating	Dimension in	Approx Weight	Bearings	
F	CONT.	inches	807 lbs.	DE: 6313	NDE: 6213

Totally Enclosed Fan-Cooled Type, Squirrel-Cage Rotor.



- NOTE:
- ENCLOSURE: IP55
  - SHAFT MATERIAL: SCM440 Q&T (AISI 4140 EQUIV)
  - WITH THERMISTOR: PTC 140°C x 3PCS  
WIRED IN MAIN TERMINAL BOX

TW-46C

DWG.	C. RAM	07 20 15
------	--------	----------

DWG.	J.S.LIN	06 .15 13	TEC Westinghouse	DWG NO.	31049J361610
CHKD.	K.L.KUD	06 .15 13			
APPD.	C.H.SHYU	06 .15 13			