

DATE
February 24, 2007
CATALOG NO.
DHP1502

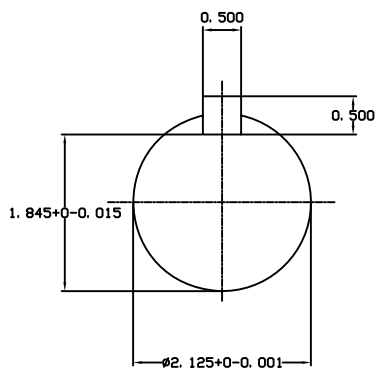
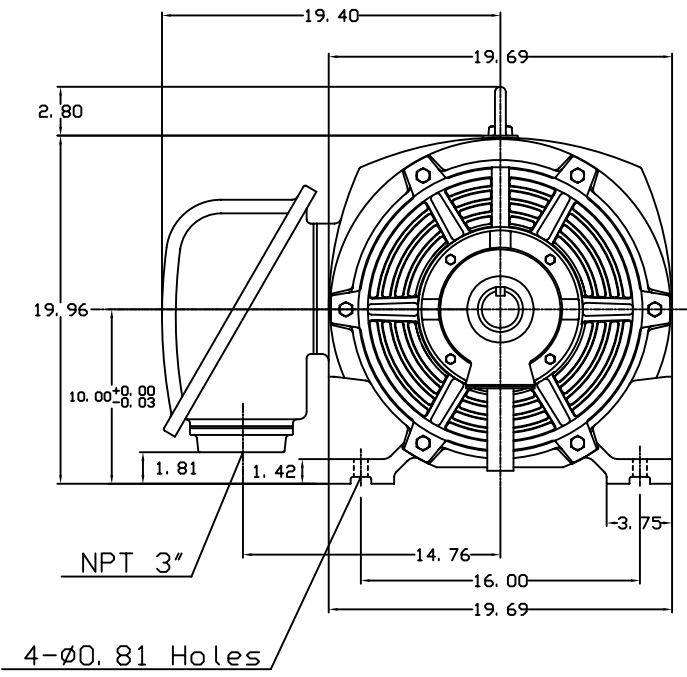
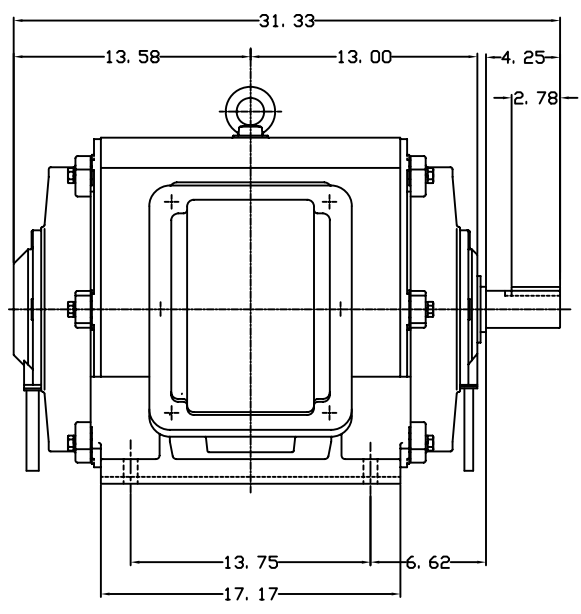
OUTLINE DIMENSIONS
3-PHASE INDUCTION MOTOR

MOTOR TYPE:
ASHH
FRAME NO. 405TS

Pole	HP	KW	Hz	VOLT	Syn. Speed RPM
2	150	112	60	230/460	3600

Ins	Rating	Dimension in	Approx Weight	Bearings
F	CONT.	inch	981 lbs.	DE: 6313C3 NDE: 6313C3

Open Protected Drip-Proof Type. Squirrel-cage Rotor.



--	--	--	--	--	--	--	--

DWN.	J. H. LIANG	12-22-98
CHKD.	C. H. KAO	06-10-99
APPD.	Y. B. HUANG	06-10-99



DWG NO.
31057H399000