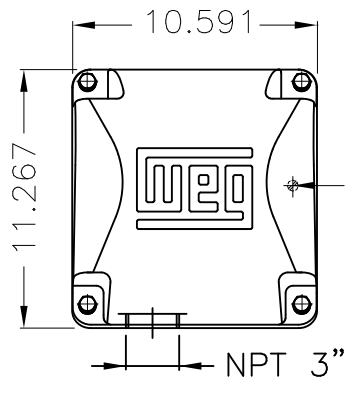


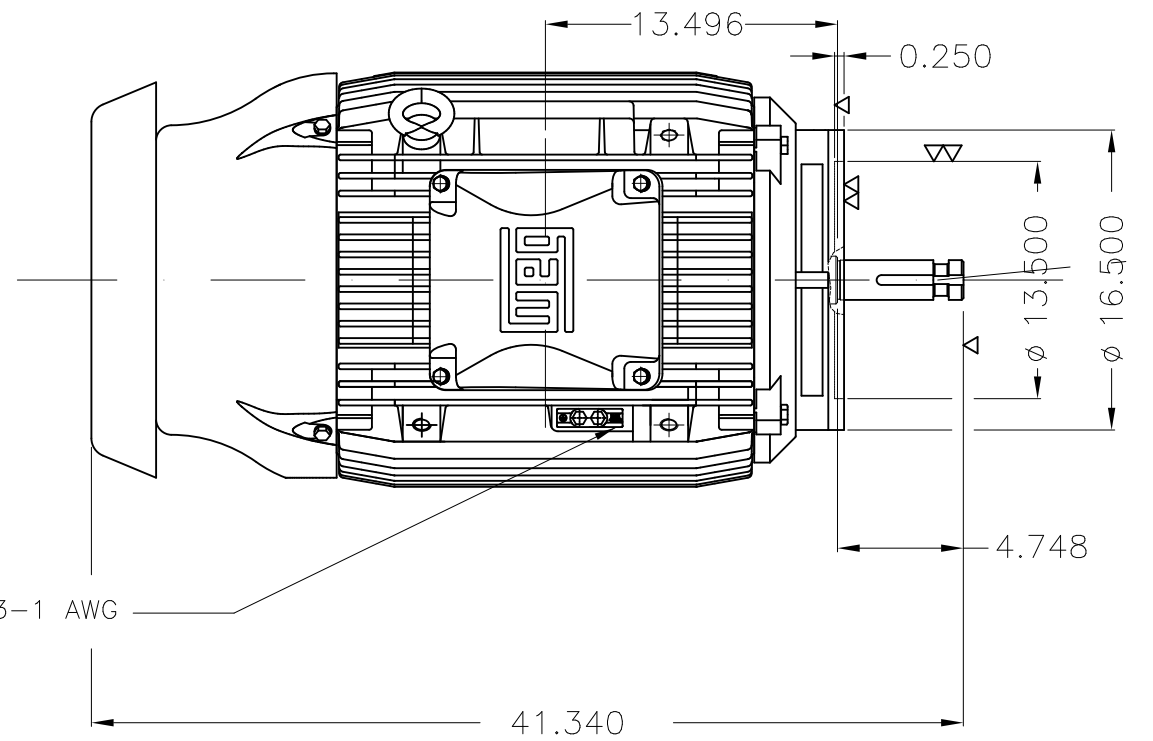
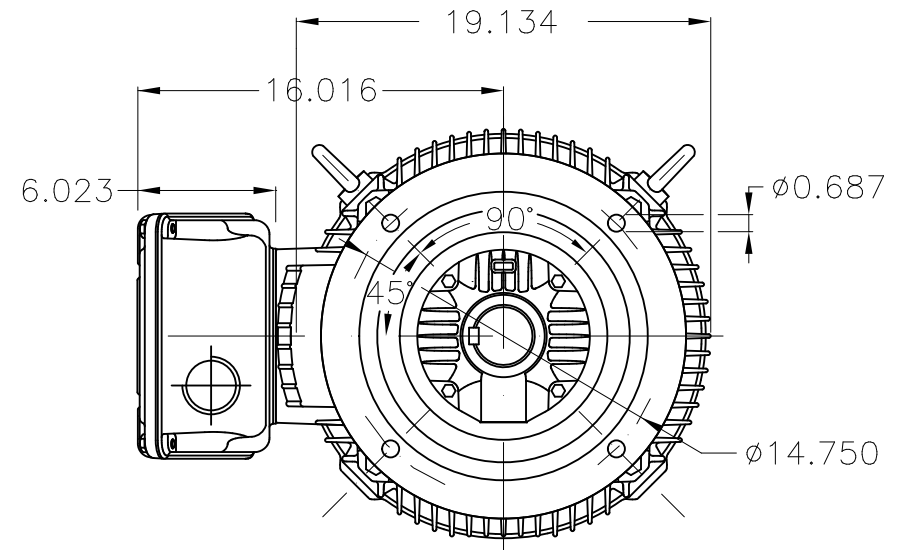
Dimensões em polegada  
Dimensions in inches

THIS IS AN UPDATED REVISION, THE  
PREVIOUS ONE MUST BE DISREGARDED.



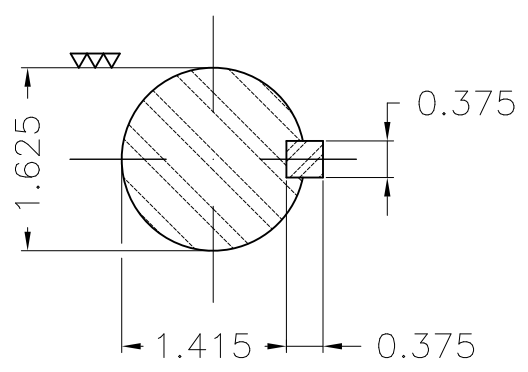
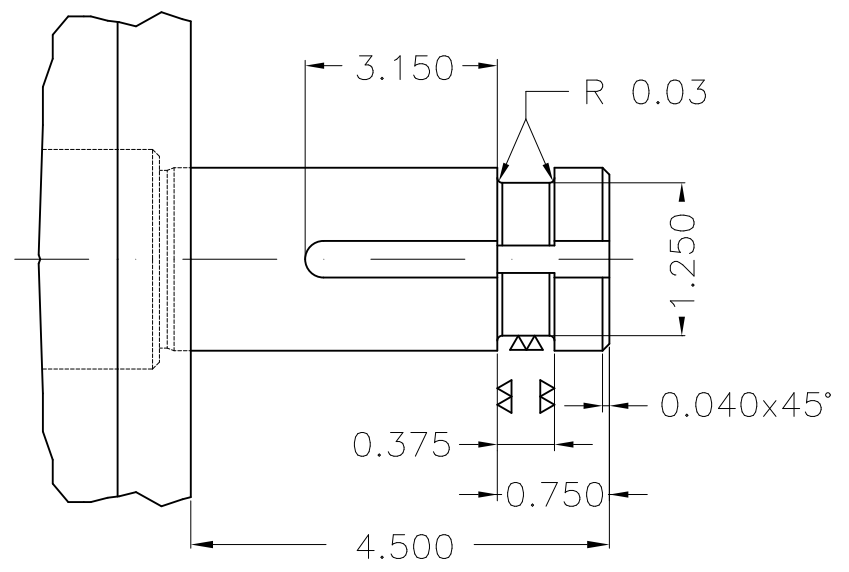
Main terminal box

Grounding for leads 25-50 mm<sup>2</sup> / 3-1 AWG



Center hole  
DUNC 5/8"-11 WEG TBG12  
(DIN 332)

Grounding for leads 25-50 mm<sup>2</sup> / 3-1 AWG



Color RAL 5009  
Painting plan 203A  
Mounting V1

| ECM      | LOC        | SUMMARY OF MODIFICATIONS                 | EXECUTED            | CHECKED | RELEASED | DATE | VER |
|----------|------------|--|---------------------|---------|----------|------|-----|
| EXECUTED | USERADMIN  | THREE PHASE W22 P-BASE MOTOR PREMIUM EFF |                     |         |          |      |     |
| CHECKED  |            | FRAME 404/5HP IP55 TEFC                  |                     |         |          |      |     |
| RELEASED |            | WEG code: 13017464                       |                     |         |          |      |     |
| REL DT   | 24.07.2017 | WMO Jaragua do Sul                       | Product Engineering | SHEET   | 1 / 1    |      |     |

100 HP 02 Poles 60Hz

A

