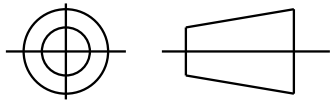


SHEET 1
REV 8
SIZE 52A102722
DRAWING NO. A

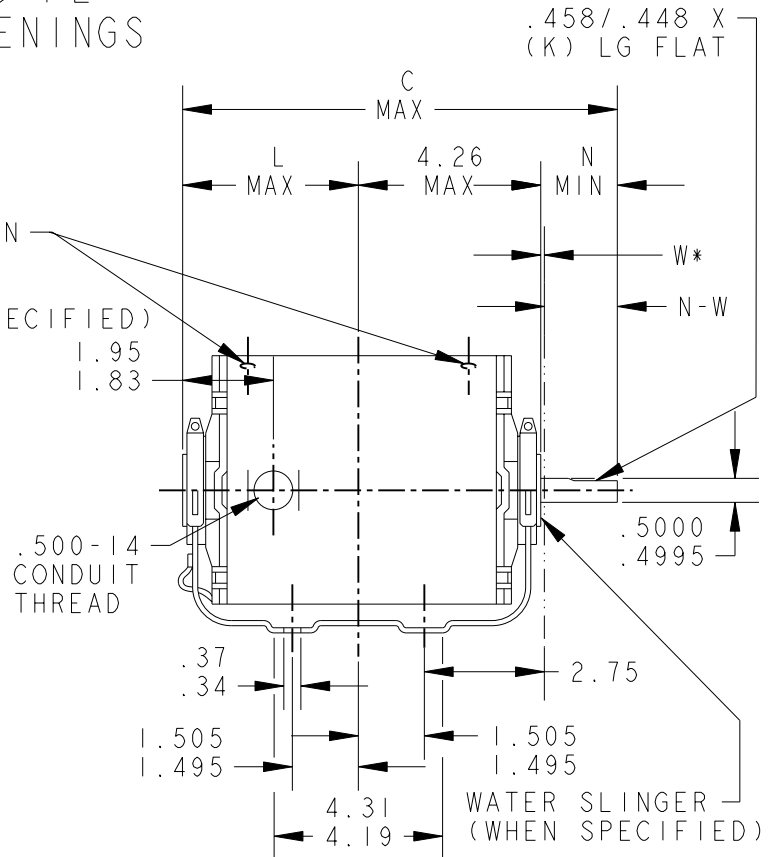
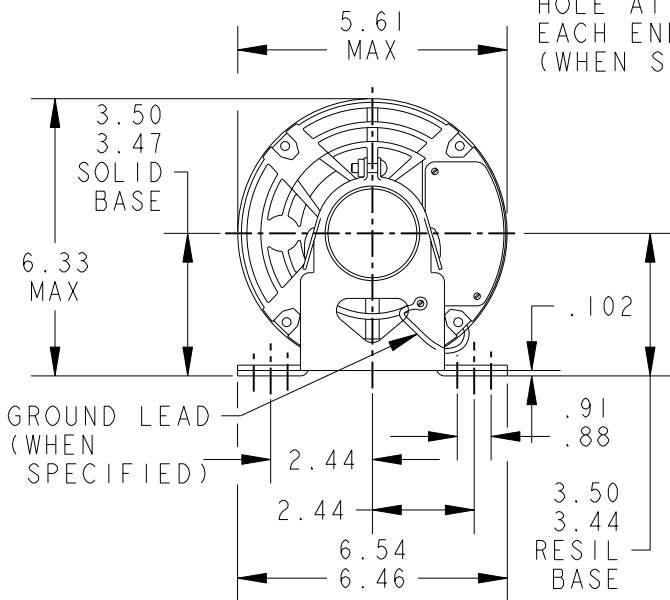
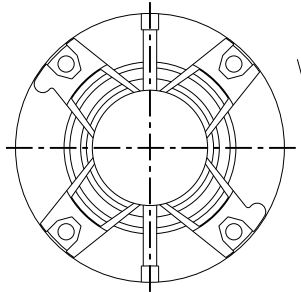
THIRD ANGLE PROJECTION



REVISIONS

REV.	DESCRIPTION	DATE	APPROVED
7	REDRAWN NO CHANGE T196-22390	07/10/96	MDP
8	CHG TO RBC FORMAT AS PER IS05-1777	01/06/06	GOVARDAN

VIEW SHOWING PE VENTILATION OPENINGS



*W IS A CLEARANCE DUE TO VARIATION IN PARTS & ASSEMBLY.

5	K-KH	35	56Z	10.51	2.16	3.80	2.50	2.63/2.41
4	K-KH	35	56Z	9.51	1.16	3.80	1.50	1.63/1.41
3	K-KH	37	56Z	10.34	1.16	4.63	1.50	1.63/1.41
2	KH	36	56Z	9.94	1.16	4.23	1.50	1.63/1.41
1	KH	33	56Z	9.13	1.16	3.42	1.50	1.63/1.41
PT	TYPE	GE SIZE	NEMA FR	C	K	L	N	N-W

SIGNATURES	DATE
MODEL RRJ	05/16/78
DETAIL .	.
CHECKED .	.
ENGRG .	.
MFG .	.
QUALITY .	.
ISSUED MDP	07/10/96
SOLID MODEL: 52A102722	



REGAL-BELOIT CORPORATION

TITLE
OUTLINE
FORM N - GENERAL PURPOSE MOTOR - DRIP PROOF - SOLID OR RESIL BASE - BALL OR SLEEVE BEARING, FMF - 5KH33EN149

SIZE DRAWING	REV
A	8
SCALE: 0.250	REF. No: .
SHEET 1 of 1	

FOR ADDITIONAL INFO REFER TO:
APPLIED PRACTICES
DIMENSIONS ARE IN INCHES ✓
MATERIAL