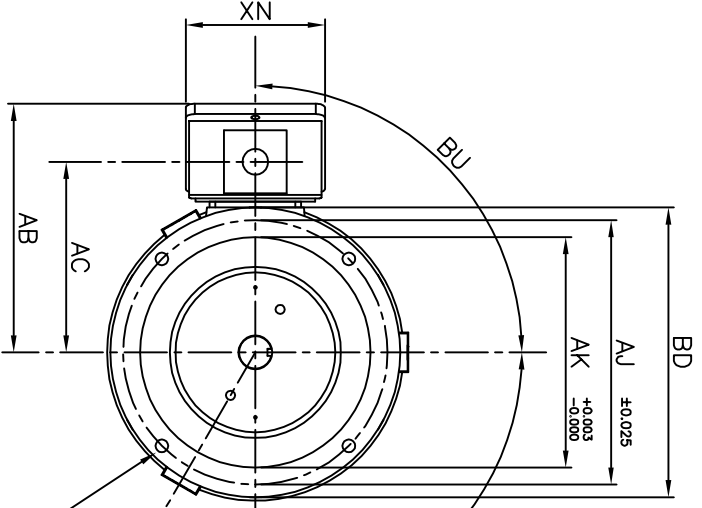
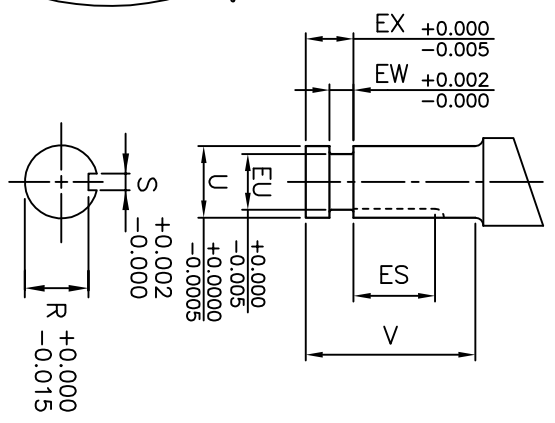


NOTE:
LIFTING EXEBOLTS
(2) 180° APART
FOR MOTOR
LIFTING ONLY



BF x 4 HOLES



UNITS: INCHES

| FRAME SIZE | MOTOR DIMENSIONS | | | | P-FLANGE DIMENSIONS | | | | CONDUIT BOX DIMENSIONS | | | | | | | | | |
|--------------|------------------|------|------|----|---------------------|------|------|------|------------------------|-----|------|-------|------|-----|-----|-----|-----|-----|
| | AG | C | P | OX | BU | BB | BE | BF | BD | BV | AK | AJ | AI | AB | AC | AF | XL | XN |
| 180HP10/LP10 | 21.2 | 23.9 | 10.3 | - | 90° | 0.25 | 0.71 | 0.44 | 10.0 | 7.3 | 8.25 | 9.125 | 0.75 | 8.6 | 6.6 | 3.2 | 6.1 | 4.9 |

| FRAME SIZE | SHAFT EXTENSION DIMENSIONS | | | | | | | | BEARINGS | | MAXIMUM WEIGHT |
|------------|----------------------------|-------|-------|------|-------|------|------|-------|----------|--------|----------------|
| | AH | EU | U | V | R | S | ES | EW | EX | LS | |
| 180HP10 | 2.75 | 0.875 | 1.125 | 2.75 | 0.986 | 0.25 | 1.28 | 0.375 | 0.75 | 6306C3 | 6306C3 |
| 180LP10 | 2.75 | 0.875 | 1.125 | 2.75 | 0.986 | 0.25 | 1.28 | 0.375 | 0.75 | 6306C3 | 7306BEGAM x 2 |

TAG NO's:

CUSTOMER: _____ MOTOR MODEL NO.: _____
 P.O. NO.: _____ HP: _____ VOLTAGE: _____ RPM(SYN.): _____ Hz: _____
 FRAME SIZE: _____ PRODUCT TYPE: VERTICAL SOLID SHAFT ROUND BODY P-FLANGE
 COMMENTS: _____

 PER: _____ DATE: _____

TOSHIBA RESERVES THE RIGHT TO MAKE CHANGES OF TECHNICAL IMPROVEMENT AND THE DATA MAY CHANGE WITHOUT NOTICE PRELIMINARY
 DO NOT USE FOR CONSTRUCTION, INSTALLATION, OR APPLICATION PURPOSES UNLESS THE DRAWING IS MARKED AS CERTIFIED CERTIFIED

- STANDARD (NO AUX. BOXES)
- RTD AUX. BOX
- SPACE HEATER AUX. BOX
- BEARING RTD's

- NOTES:
- DIMENSION V REPRESENTS LENGTH OF STRAIGHT PART OF SHAFT
 - MAIN CONDUIT BOX MAY BE ROTATED IN 90° INCREMENTS
 - KEY DIMENSIONS EQUAL S x S x ES (MOTOR SUPPLIED WITH KEY)
 - MOTOR WEIGHT SHOWN IS MAXIMUM HORSEPOWER IN FRAME
 - STANDARD PRODUCT USE BI-DIRECTIONAL FAN. OPPOSITE ROTATION AVAILABLE ONLY BY CONNECTION CHANGE

TOSHIBA
 TOSHIBA INTERNATIONAL CORPORATION
 TOTALLY-ENCLOSED FAN-COOLED
 VERTICAL SOLID SHAFT ROUND BODY P-FLANGE
 3 PHASE INDUCTION MOTOR
 F1 ASSEMBLY

XT SERIES
 VISIT OUR WEBSITE AT:
 www.toshiba.com/ind