

GENERAL INFORMATION:

SHAFT RUNOUT: .001 [.03] T.I.R. PER INCH LENGTH OF EXTENSION

END PLAY: .010 TO .063 [.25 TO 1.60]

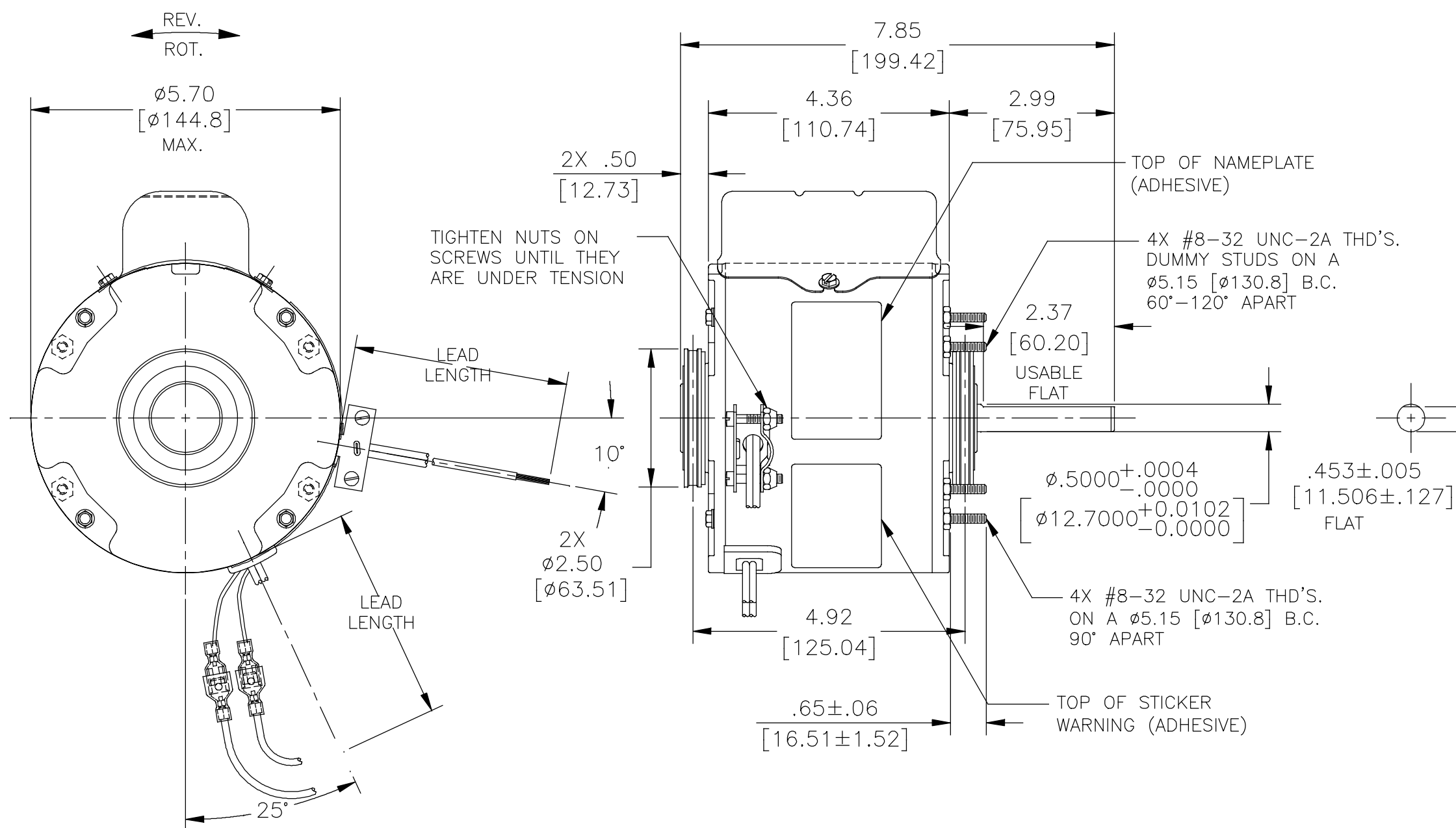
BEARINGS: SLEEVE

MOUNTING POSITION: HORIZONTAL

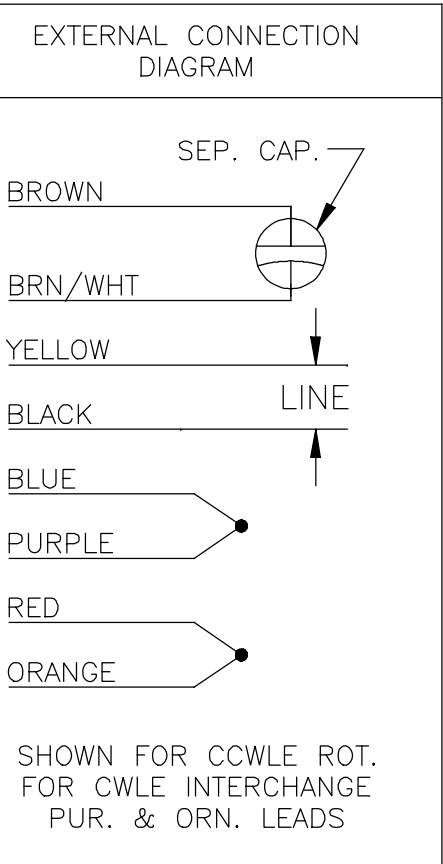
ELECTRICAL DATA:

OVERLOAD PROTECTOR: AUTOMATIC RESET (SENSATA 7AM 036)

LEADS: NO. 18 GA., .03 [.8] THK. XLP 125°C INSUL.



NAMEPLATE DATA:
 MODEL NO.: F48E59A01
 CUST. P/N: US1016NB
 HP: 1/6
 ROT.: REVERSIBLE
 RPM: 1075
 TYPE: UF
 FRAME: 48Y
 VOLTS: 115
 PH: 1
 AMPS: 2.8
 HZ: 60
 INS.: B
 AMB.: 40° C
 DUTY: AIR OVER
 CAP.: 5 MFD/370 V
 ENCL: ENCLOSED
 UL LOGO
 CSA LOGO
 THERMALLY PROTECTED



614131-124

COLOR	LENGTH	TERMINAL OR STRIP LENGTH
BLUE	5.0/7.0 [127/178]	.50 [12.7] SKIN
PURPLE	5.0/7.0 [127/178]	.50 [12.7] SKIN
ORANGE	5.0/7.0 [127/178]	.50 [12.7] SKIN
RED	5.0/7.0 [127/178]	.50 [12.7] SKIN
BROWN	CONNECTED TO CAPACITOR	.25 [6.4] FLAG
BROWN/WHITE	CONNECTED TO CAPACITOR	.25 [6.4] FLAG
YELLOW	58.0/62.0 [1473/1575]	.60 [15.2] SKIN
BLACK	58.0/62.0 [1473/1575]	.60 [15.2] SKIN
COLOR	LENGTH	TERMINAL OR STRIP LENGTH

LEAD DATA

NOTES:
 1. MOTOR SHIPPED CONNECTED FOR CCWLE ROTATION.

REGAL-BELOIT CORPORATION (RBC) PROVIDES TECHNICAL ASSISTANCE TO OUR CUSTOMERS IN SEVERAL AREAS. SINCE RBC DOES NOT RECEIVE ALL DATA CONCERNING THE USE AND APPLICATION OF THE MOTOR, THE SUITABILITY OF THE MOTOR FOR THE APPLICATION MUST BE DETERMINED BY THE CUSTOMER.

DIMENSIONS WITHOUT TOLERANCES ARE FOR REFERENCE ONLY.

ENCLOSURE	CUSTOMER	DISTRIBUTION SERVICE
MAIN FRAME - OLE	ENCLOSED	
END FRAME - OLE	ENCLOSED	
MAIN FRAME - LE	ENCLOSED	
END FRAME - LE	ENCLOSED	

PERFORMANCE CURVE NO.	TORQUE @ 1075 RPM (25°C)	APPROVED SAMPLE	UL COMPONENT		CSA	
			FILE #	CCN #	FILE #	CLASS #
C31028	16.9 OZ. FT.	93AC450A	E46412	PRGY2	LR43341	4211-01

DRAWING REVISION	REVISION BY	DATE
B	LISA.ZHU	03-26-2018
ECO	APPROVED BY	DATE
ECO-0139361	CADDIE.ZHOU	03-26-2018

COPYRIGHT REGAL-BELOIT AMERICA, INC. ALL RIGHTS RESERVED. PROPRIETARY AND CONFIDENTIAL INFORMATION - THIS DOCUMENT IS THE PROPERTY OF REGAL-BELOIT AMERICA, INC. (OWNER) AND CONTAINS OWNER'S PROPRIETARY INFORMATION. ANY PERSON, CORPORATION OR OTHER FIRM RECEIVING IT IS DEEMED, BY RECEIVING IT, TO AGREE THAT IT, AND/OR ANY PART OF IT, SHALL NOT BE DISCLOSED TO ANY PERSON, CORPORATION OR OTHER ENTITY, DUPLICATED, AND/OR USED, EXCEPT AS EXPRESSLY APPROVED IN WRITING IN ADVANCE BY OWNER. THIS DOCUMENT SHALL BE RETURNED TO OWNER UPON REQUEST. IT MAY BE SUBJECT TO CERTAIN RESTRICTIONS UNDER APPLICABLE EXPORT CONTROL LAWS AND REGULATIONS.

DRAWN BY: J.CHAH
 DATE: 06-16-2016
 APPROVED BY: C.ZHANG
 DATE: 06-16-2016
 PROCESS/FINISH: -

REGAL™ Regal Beloit America, Inc.

DESCRIPTION: MODEL-RFHP-48FR OUTLINE

MATERIAL: -

THIRD ANGLE PROJECTION

SIZE DWG NO: C US1016NB

SHEET 1