

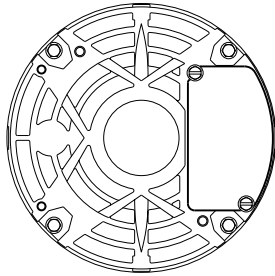
SHEET 1
REV 3
52A107295

THIRD ANGLE PROJECTION

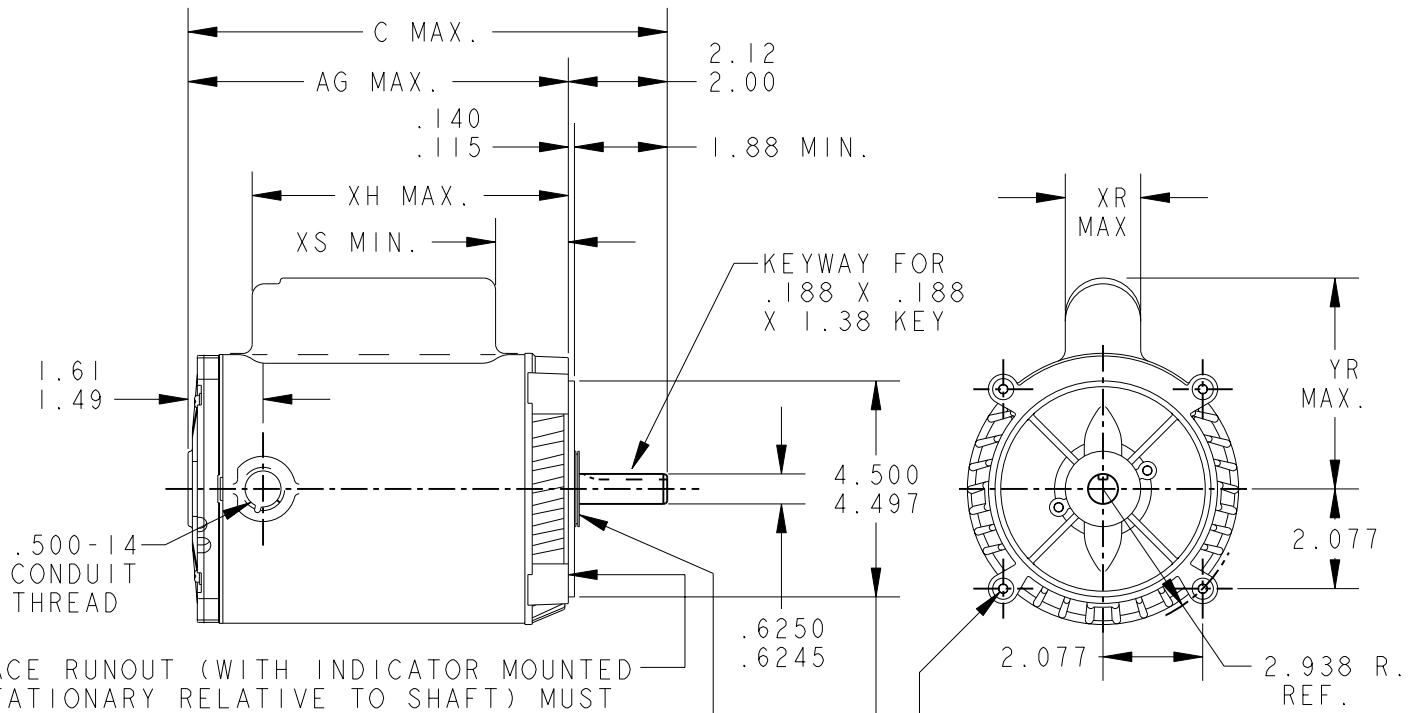


REVISIONS

REV.	DESCRIPTION	DATE	APPROVED
1	ADD PT.#2 (5KC35JN70HX).	05/25/93	M.D.PAPE
2	CORRECTED OPE ENDSHIELD.	03/19/96	M.D.PAPE
3	CHG TO RBC FORMAT PER ISO5-1777	02/28/06	SUDHA



VIEW SHOWING S.E. ENDSHIELD



FACE RUNOUT (WITH INDICATOR MOUNTED STATIONARY RELATIVE TO SHAFT) MUST NOT EXCEED .004 T.I.R.

WATER SLINGER (WHEN SPECIFIED)

ECCENTRICITY OF THIS SURFACE (WITH INDICATOR MOUNTED STATIONARY RELATIVE TO SHAFT) MUST NOT EXCEED .004 T.I.R.

.375-16 UNC-2B (4 HOLES) .82 MIN. FULL THD. THESE HOLES FIT A GAGE HAVING A RABBIT 4.5005 DIA. AND 4 PINS .2917 DIA. LOCATED ON THE BASIC HOLE POSITIONS.

2	KC	35	56C	9.58	7.36	6.64	1.05	1.60	4.31
1	KC	36	56C	10.01	7.79	7.08	1.47	1.60	4.31
P	TYPE	GE	NEMA	C	AG	XH	XS	XR	YR

SIGNATURES		DATE		REGAL-BELOIT CORPORATION	
MODEL	B. JOHNSON	05/18/93			
DETAIL	.	.			
CHECKED	.	.			
ENGRG	.	.			
FOR ADDITIONAL INFO REFER TO:			TITLE OUTLINE FORM N JET PUMP MOTOR - DRIP PROOF - R2 END MOUNTED - SLEEVE & BALL BEARING FMF: 5KC36LN83HX		
APPLIED PRACTICES	QUALITY	.			
DIMENSIONS ARE IN INCHES ✓	ISSUED	B.L.J. 05/18/93	SIZE	DRAWING	REV
MATERIAL	SOLID MODEL: 52A107295		A		52A107295 3
			SCALE: 0.250	REF. No: .	SHEET 1 of 1