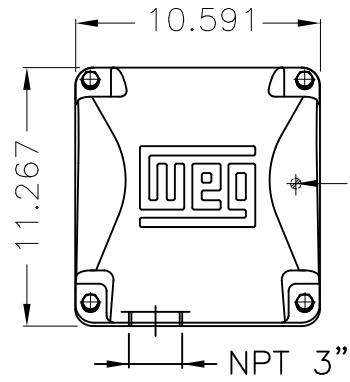


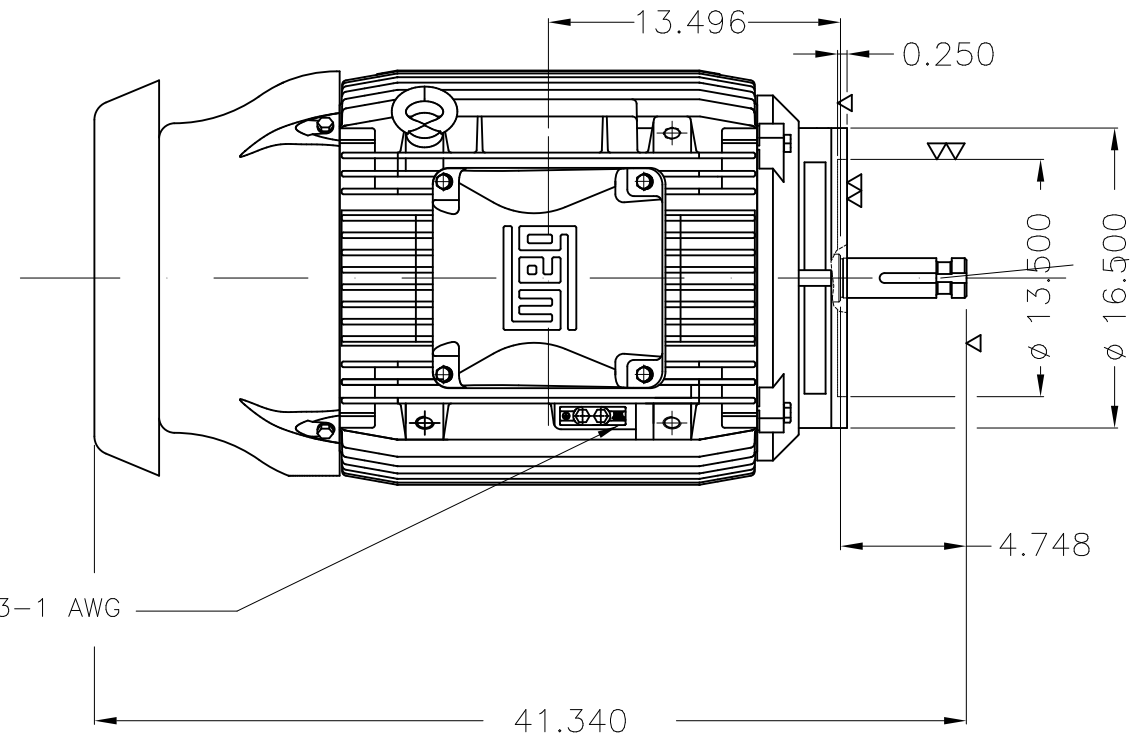
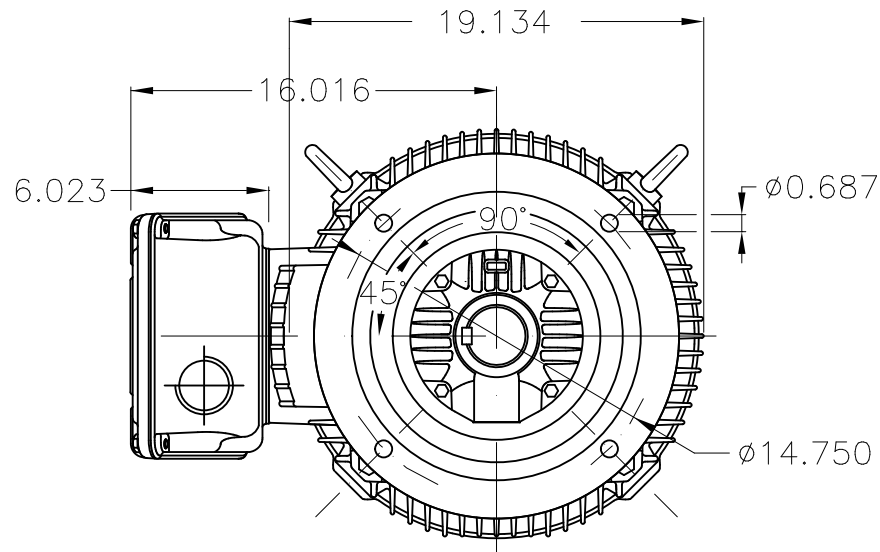
Dimensões em polegada
Dimensions in inches

THIS IS AN UPDATED REVISION, THE
PREVIOUS ONE MUST BE DISREGARDED.



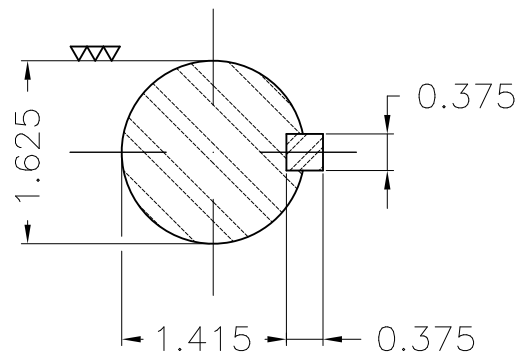
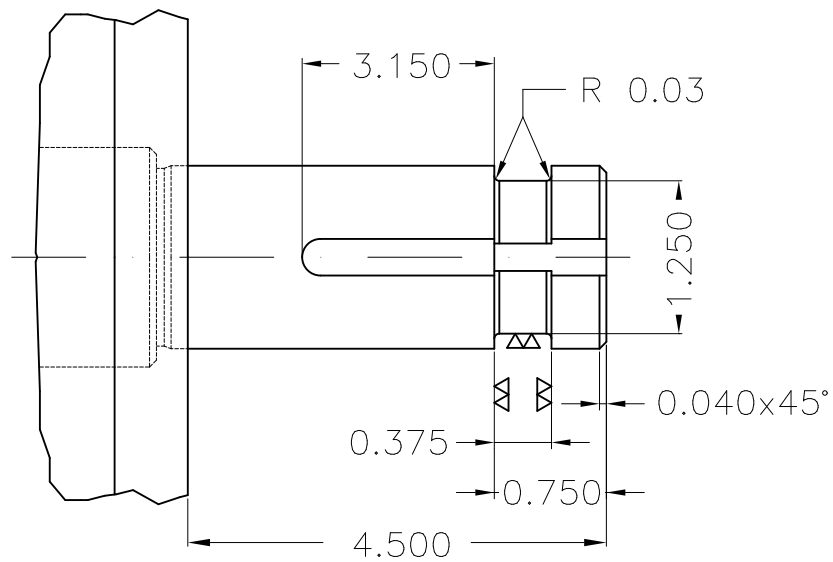
Main terminal box

Grounding for leads 25–50 mm² / 3–1 AWG



Center hole
DUNC 5/8"–11 WEG TBG12
(DIN 332)

Grounding for leads 25–50 mm² / 3–1 AWG



Color RAL 5009
Painting plan 203A
Mounting V1

| ECM | LOC | SUMMARY OF MODIFICATIONS | EXECUTED | CHECKED | RELEASED | DATE | VER |
|----------|------------|--|---------------------|---------|----------|------|-----|
| EXECUTED | USERADMIN | THREE PHASE W22 P-BASE MOTOR PREMIUM EFF | | | | | |
| CHECKED | | FRAME 404/5HP IP55 TEFC | | | | | |
| RELEASED | | WEG code: 13502583 | | | | | |
| REL DT | 24.07.2017 | WMO Jaragua do Sul | Product Engineering | SHEET | 1 / 1 | | |

100 HP 04 Poles 60Hz

A

