

# Product Information Packet

November 7, 2016

Data shown is for the current revision model #. Ensure your nameplate model # matches.

<b>Model Number:</b>	<b>5KS145ATE205AF2</b>
<b>Catalog Number:</b>	<b>E794</b>
<b>Instruction Manual:</b>	GEI-M1023
<b>Connection Diagram:</b>	GEM2034E-FIG3
<b>Outline Drawing:</b>	358B6213AB

Accessory Connection Diagrams			
<b>Bearing Thermocouple:</b>	None	<b>Heater:</b>	None
<b>RTD:</b>	None	<b>Thermistor:</b>	None
<b>Thermostat:</b>	None	<b>Winding Thermocouple:</b>	None
<b>Bearing RTD:</b>	None		

Table of Contents	
Specification	01
Performance Characteristics	02
Outline Drawing	03
Connection Drawing(s)	04



**Marks:**

<b>MODEL NUMBER:</b>	<b>5KS145ATE205AF2</b>	<b>Estimated Weight:</b>	65 Lbs
<b>Outline Drawing:</b>	358B6213AB	<b>Time Rating:</b>	CONT
<b>Connection Diagram:</b>	GEM2034E-FIG3	<b>Enclosure:</b>	DP
<b>Instruction Book:</b>	GEI-M1023	<b>Encl Construction:</b>	OPEN
<b>Design Code:</b>	14AD1005A	<b>Ambient Max(°C):</b>	40
<b>Type:</b>	KS	<b>Alt Ambient Max(°C):</b>	--
<b>Frame:</b>	145T	<b>Insulation Class:</b>	F
<b>Phases:</b>	3	<b>NEMA Design:</b>	B/C
<b>Poles:</b>	4	<b>Nominal Efficiency:</b>	86.5 %
<b>Output Power:</b>	2HP 1.5KW	<b>Guaranteed Efficiency:</b>	84.0
<b>RPM:</b>	1720	<b>3/4 Load Efficiency:</b>	88.6
<b>Voltage:</b>	230/460	<b>KVA Code:</b>	L
<b>Hertz:</b>	60	<b>Max KVAR:</b>	.9
<b>Amps - FL:</b>	5.4/2.7	<b>Power Factor:</b>	79
<b>Service Factor:</b>	1.15	<b>Bearing - DE:</b>	6205ZZ
<b>Alt Service Factor:</b>	--	<b>Bearing - ODE:</b>	6205ZZ

Enclosure is Dripproof

---

**Stamped Nameplate Notes:****Additional Information:**

4 POLE DP  
 LRA: 39.8/19.9  
 NO. OF MOTOR LEADS: 9  
 CONDUIT BOX VOLUME (IN<sup>3</sup>): 30.2  
 CONDUIT BOX MTL: STAMPED STEEL  
 GREASE TYPE: SHELL ALVANIA R3 LITHIUM GREASE  
 USABLE AT 200V @ 2 HP, 6 AMPS @ 1.0 SF  
 50 HZ DATA: 2 HP, 200/400V, 6.2/3.1 AMPS @ 1.0SF, 1400 RPM  
 SOUND POWER: 60.8  
 DMK, 06/04, DATA UPDATE 11/2004  
 INVERTER DUTY PER NEMA MG1 PART 31  
 FOR VARIABLE TORQUE LOADS

**Performance Characteristics**

1st Winding 1st Connection

**Design: 14AD1005A**

**Marks:**

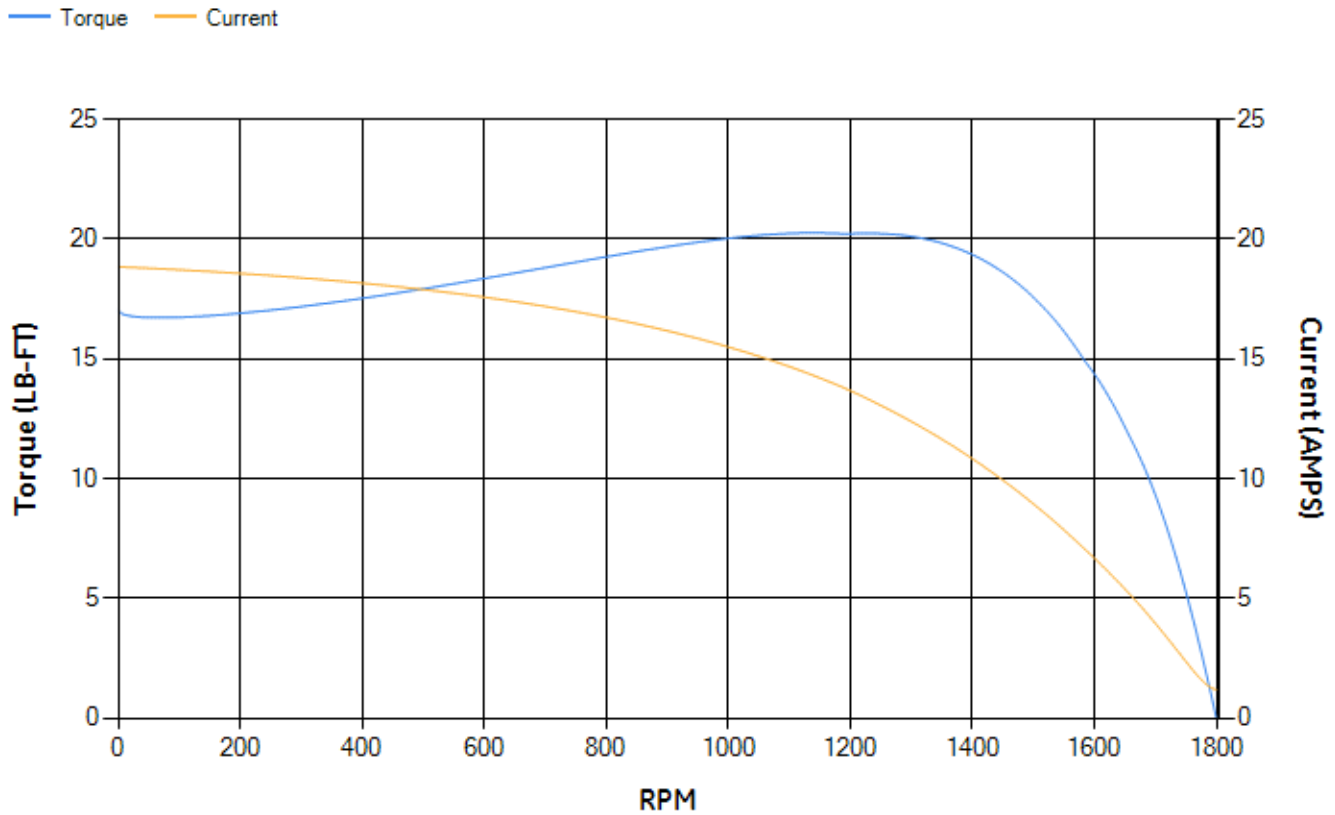
LOAD %	125.0	115.0	100.0	75.0	50.0	25.0	0.0
% EFF	85.68	86.5	87.71	88.56	88.23	83.51	0.00
% PF	83.46	82.63	80.76	75.08	63.74	41.88	6.46
AMPS	3.27	3.01	2.64	2.11	1.66	1.34	1.19

<b>TORQ(FL)#FT</b>	6.09	<b>TORQ(LR)%FL</b>	279.85	<b>TORQ(BD)%FL</b>	327.04
<b>AMPS(LR)</b>	18.84	<b>PF AT START</b>	0.55		

This motor is capable of two cold or one hot start with a maximum connected load inertia of 74 Lb-Ft Sq (3.12 Kg-meter Sq)at 100% voltage, where the load torque varies with the square of the speed. Acceleration time with maximum inertia and the above load type is 27 seconds. Safe stall time at 100% voltage is 69 seconds cold, 43 seconds hot. Rotor inertia is 0.13 Lb-Ft Sq (0.01 Kg-meter Sq).

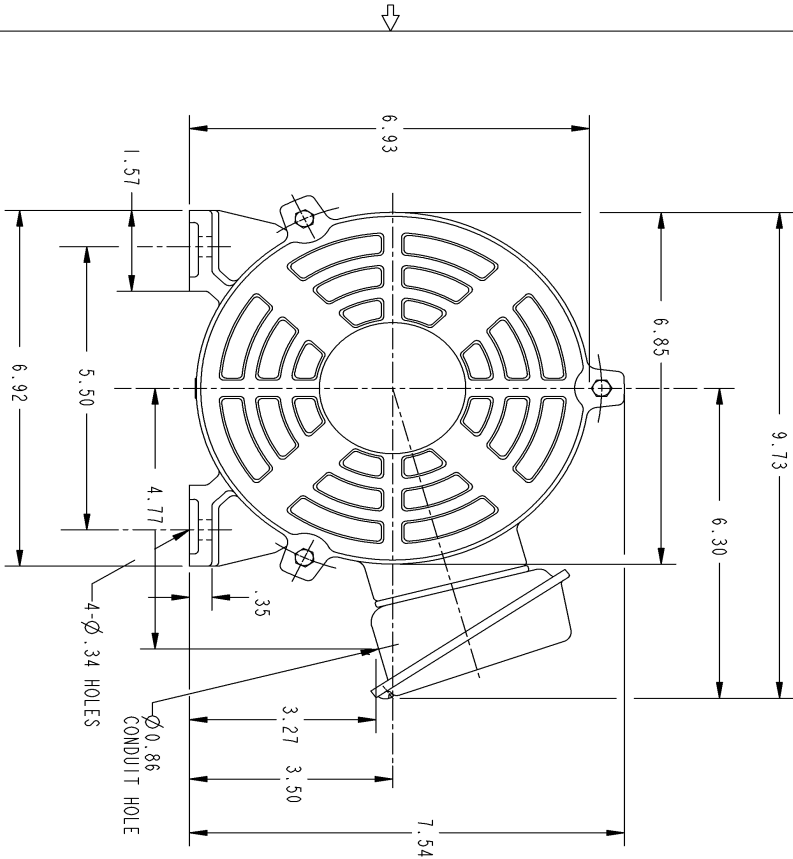
<b>Open Circuit A-C:</b>	0.136	<b>Short Circuit D-C:</b>	0.007
<b>Short Circuit A-C:</b>	0.007	<b>X/R Ratio:</b>	2.514
<b>Stator Slots:</b>	36	<b>Rotor Slots:</b>	28

**Speed Torque Current Curve (First Connection, First Speed)**



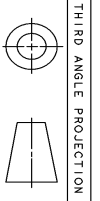
NAME:501452442 OBJECT:358B6213AB DATE:23-May-07 23:06:41

Marks:

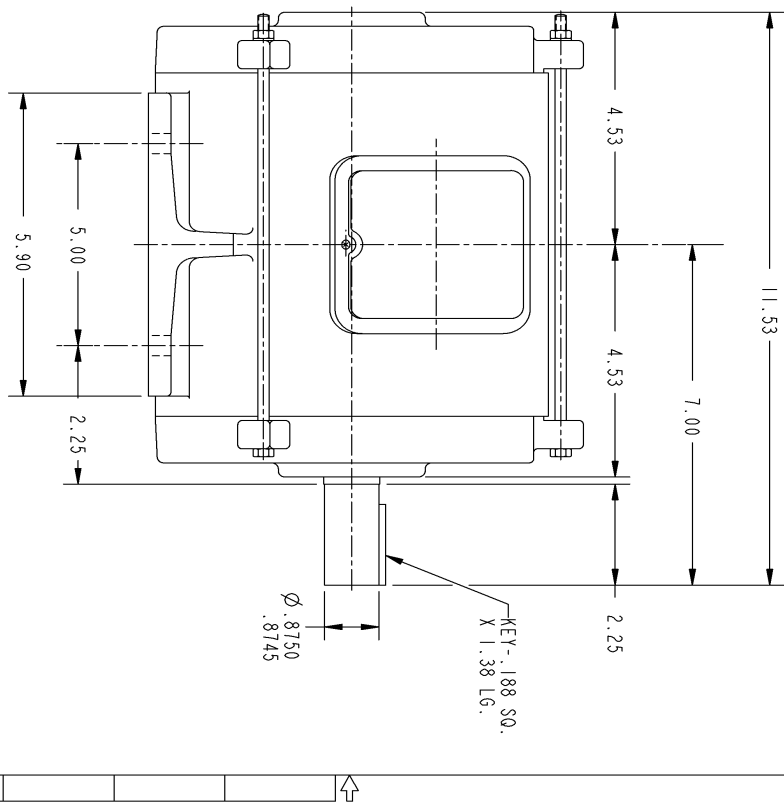


NOTES :

1. CONDUIT BOX MAY BE PLACED WITH THE ENTRANCE DOWN, UP OR ON EITHER SIDE.
2. F-1 ASM AS SHOWN.
3. F-2 ASM - HAS CONDUIT BOX ON OPPOSITE SIDE.



THIRD ANGLE PROJECTION



THIS DRAWING IS THE PROPERTY OF GENERAL ELECTRIC COMPANY (GEC) AND WILL BE RETURNED TO GEC UPON REQUEST. THIS DRAWING IS LOANED TO THE USER FOR INFORMATION ONLY. THE USER SHALL BE RESPONSIBLE FOR THE PROTECTION AND SECURITY OF THIS DRAWING. THIS DRAWING SHALL BE RETURNED TO GEC UPON REQUEST. THIS DRAWING IS NOT TO BE REPRODUCED OR COPIED IN ANY MANNER WITHOUT THE WRITTEN PERMISSION OF GEC. ANY VIOLATION OF THESE TERMS SHALL BE SUBJECT TO LEGAL ACTION.

SIZE: DRAWING FOR 358B6213AB

GE PROPRIETARY INNOVATION

REV.	DESCRIPTION	DATE	APPROVED
1	ISAAC 07-0770	05/02/07	R. KOHNE

UNLESS OTHERWISE SPECIFIED:		SIGNATURES		DATE	
DIMENSIONS ARE IN INCHES		DRAWN		P. RAJU 03/28/03	
TOLERANCE ON:		CHECKED		PRABHAKAR 03/27/03	
2 PL DECIMALS ± .01		ENGR		ISSUED	
3 PL DECIMALS ± .005		MATERIAL:		APPLIED PRACTICES	
ANGLES ± 1°		PRABHAKAR 03/27/03		SCALE: DRAWING SCALE	
GENERAL ELECTRIC COMPANY		Fort Wayne, Indiana		OUTLINE	
145T - OPEN DRIP PROOF		SIZE DRAWING		358B6213AB	
REV. 1		SHEET 1 OF 1		DISTRIBUTION:	

Marks:

**Connection Diagram**  
**GEM2034E-FIG3**

