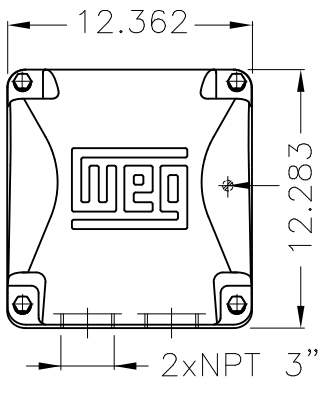


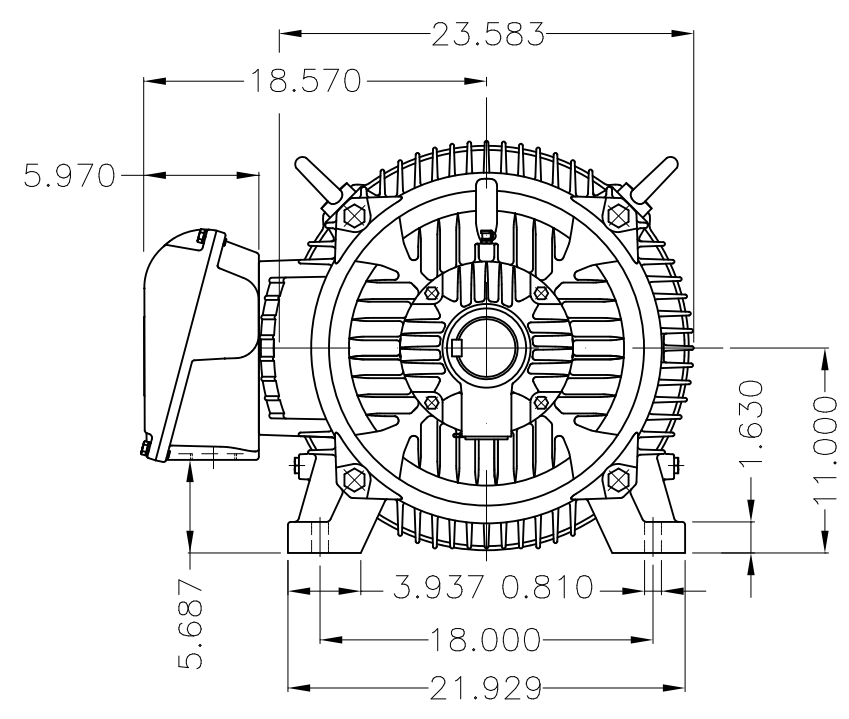
Dimensões em polegada  
Dimensions in inches

THIS IS AN UPDATED REVISION, THE  
PREVIOUS ONE MUST BE DISREGARDED.

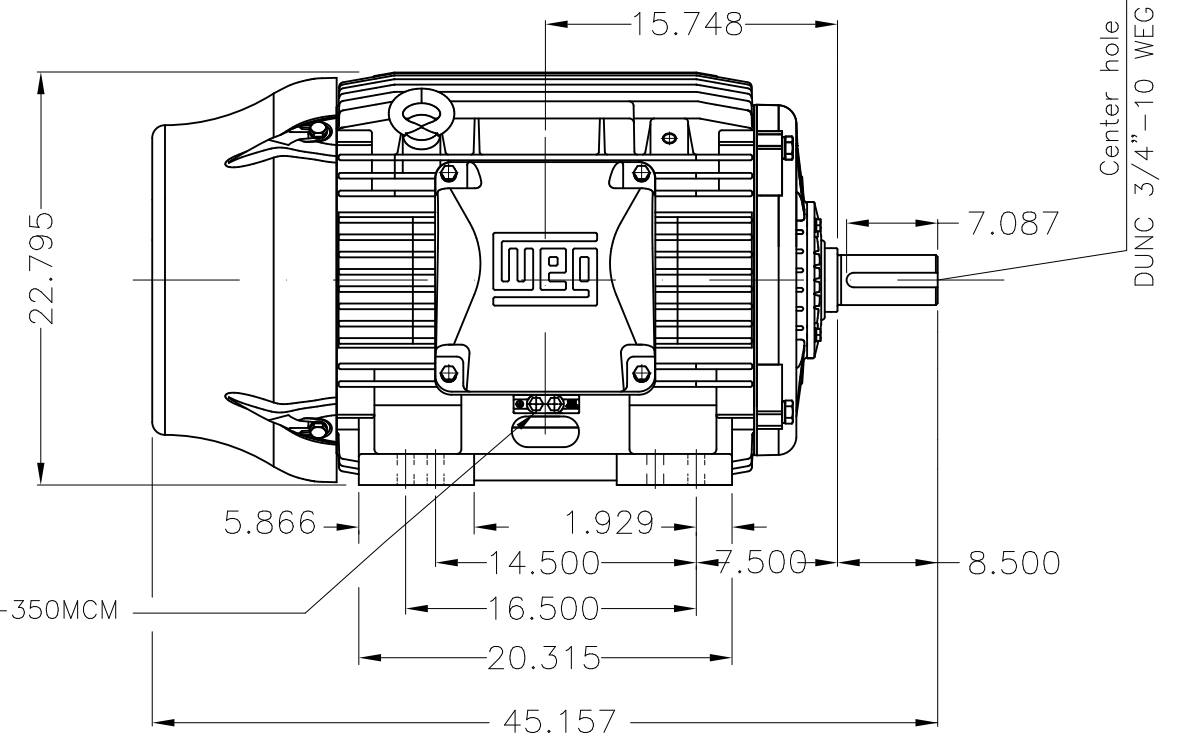


Grounding for leads 35-70 mm<sup>2</sup> / 1-2/0 AWG

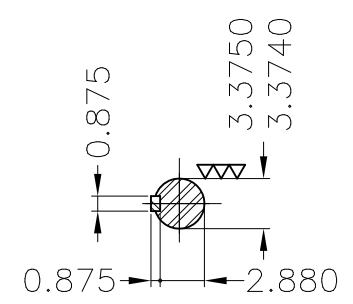
Main terminal box



Grounding for leads 25-185 mm<sup>2</sup> / 3AWG-350MCM

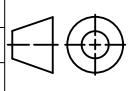


Center hole  
DUNC 3/4"-10 WEG TBG12



DE Shaft End

- DE roller bearing
- Shaft locking device
- Color RAL 5009
- Painting plan 202E
- Mounting B3R(D)

ECM	LOC	SUMMARY OF MODIFICATIONS			EXECUTED	CHECKED	RELEASED	DATE	VER
EXECUTED	USERADMIN	 THREE PH. W22 NEMA P.EFF MOTOR IEEEE841 FRAME 444/5T IP55 TEFC WEG code: 11853778							
CHECKED									
RELEASED									
REL DT	24.07.2017	WMO	Jaragua do Sul	Product Engineering	SHEET	1 / 1			

100 HP 06 Poles 60Hz

A

