

Product Information Packet

January 13, 2017

Data shown is for the current revision model #. Ensure your nameplate model # matches.

Model Number:	5KS182SAE123D
Catalog Number:	V960
Instruction Manual:	GEK-95655
Connection Diagram:	GEM2034E-FIG3
Outline Drawing:	4002B5818PLP5210

Accessory Connection Diagrams			
Bearing Thermocouple:	None	Heater:	3027JE-1C
RTD:	None	Thermistor:	None
Thermostat:	None	Winding Thermocouple:	None
Bearing RTD:	None		

Table of Contents

Specification	01
Performance Characteristics	02
Outline Drawing	03
Connection Drawing(s)	04
Spare parts	05



Marks:

MODEL NUMBER:	5KS182SAE123D	Estimated Weight:	76 Lbs
Outline Drawing:	4002B5818PLP5210	Time Rating:	CONT
Connection Diagram:	GEM2034E-FIG3	Enclosure:	TEFC
Instruction Book:	GEK-95655	Encl Construction:	SD
Design Code:	18BD0104A	Ambient Max(°C):	40
Type:	KS	Alt Ambient Max(°C):	--
Frame:	L182HP10	Insulation Class:	H
Phases:	3	NEMA Design:	B
Poles:	2	Nominal Efficiency:	86.5 %
Output Power:	3HP 2.2KW	Guaranteed Efficiency:	84.0
RPM:	3530	3/4 Load Efficiency:	87.1
Voltage:	230/460	KVA Code:	K
Hertz:	60	Max KVAR:	1.1
Amps - FL:	8.0/4.0	Power Factor:	82.0
Service Factor:	1.15	Bearing - DE:	6307ZC3
Alt Service Factor:	--	Bearing - ODE:	6206-2ZC3

Enclosure is Totally Enclosed Fan-Cooled

Stamped Nameplate Notes:

PREMIUM EFFICIENT MOTOR
HTR LDS HE1-HE2 115V 45W
SEVERE DUTY
INVERTER DUTY PER NEMA MG1 PART 31
ALTERNATE RATING FOR PWM CONTROL:
1.0 SF VAR TORQUE RANGE 0-60 HZ
IP 55
SUITABLE FOR 190/380V 50 HZ WITH
9.8/4.9 AMPS AND 2900 RPM AT 1.0 S.F

Additional Information:

2P - HP EXTN
C/BOX 30 CU IN-0.75 NPT
HEATER LEADS EXIT WITH MOTOR LEADS
RCF 5000 CPM, STATIC DEFLECTION .0014 INCHES &
CENTER OF GRAVITY 6.5 INCHES
SOLID SHAFT NORMAL THRUST
OIL RESISTANT SLEEVING ON LEADS
BEARING LIFE 8760 HOURS AT 522 LB THRUST
SLINGER ON ODE

Performance Characteristics

1st Winding 1st Connection

Design: 18BD0104A

Marks:

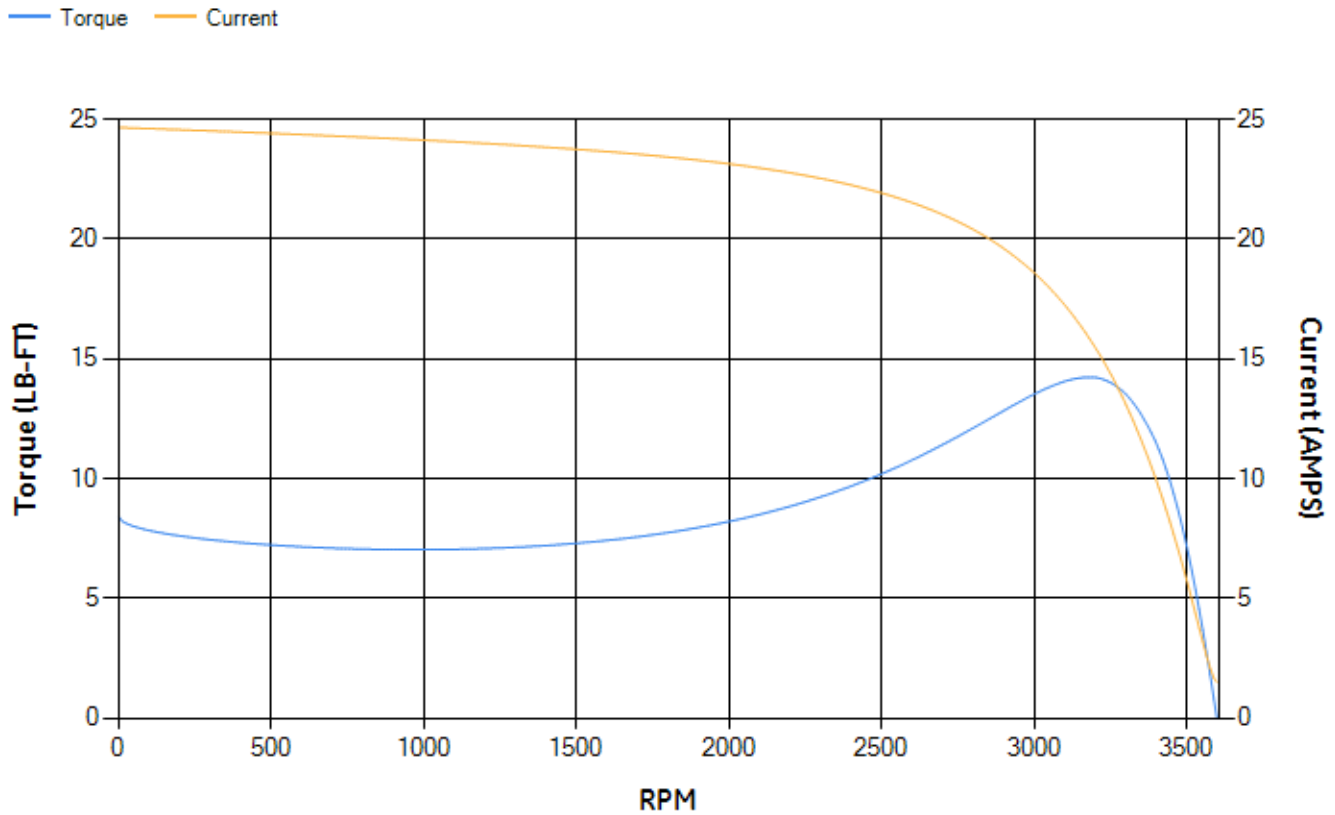
LOAD %	125.0	115.0	100.0	75.0	50.0	25.0	0.0
% EFF	87.06	87.32	87.71	87.09	84.83	76.66	0.00
% PF	84.31	83.54	85.35	76.76	66.53	46.21	13.09
AMPS	4.78	4.43	3.75	3.15	2.49	1.98	1.49

TORQ(FL)#FT	4.46	TORQ(LR)%FL	188.9	TORQ(BD)%FL	316.66
AMPS(LR)	24.66	PF AT START	0.4		

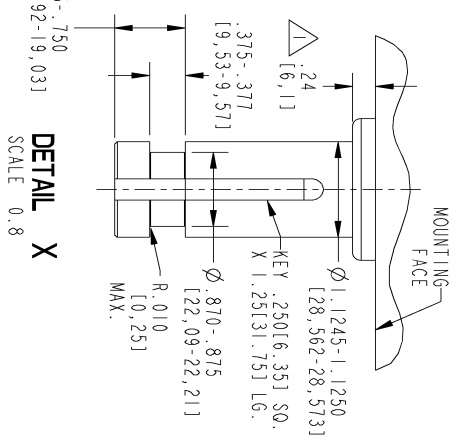
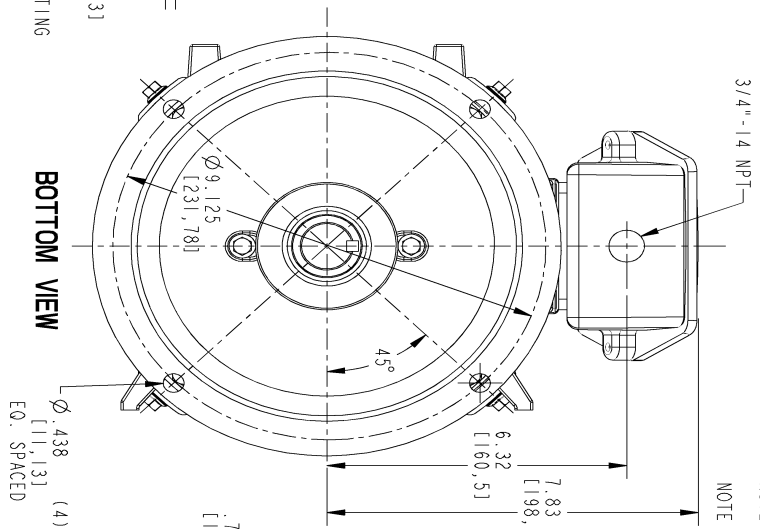
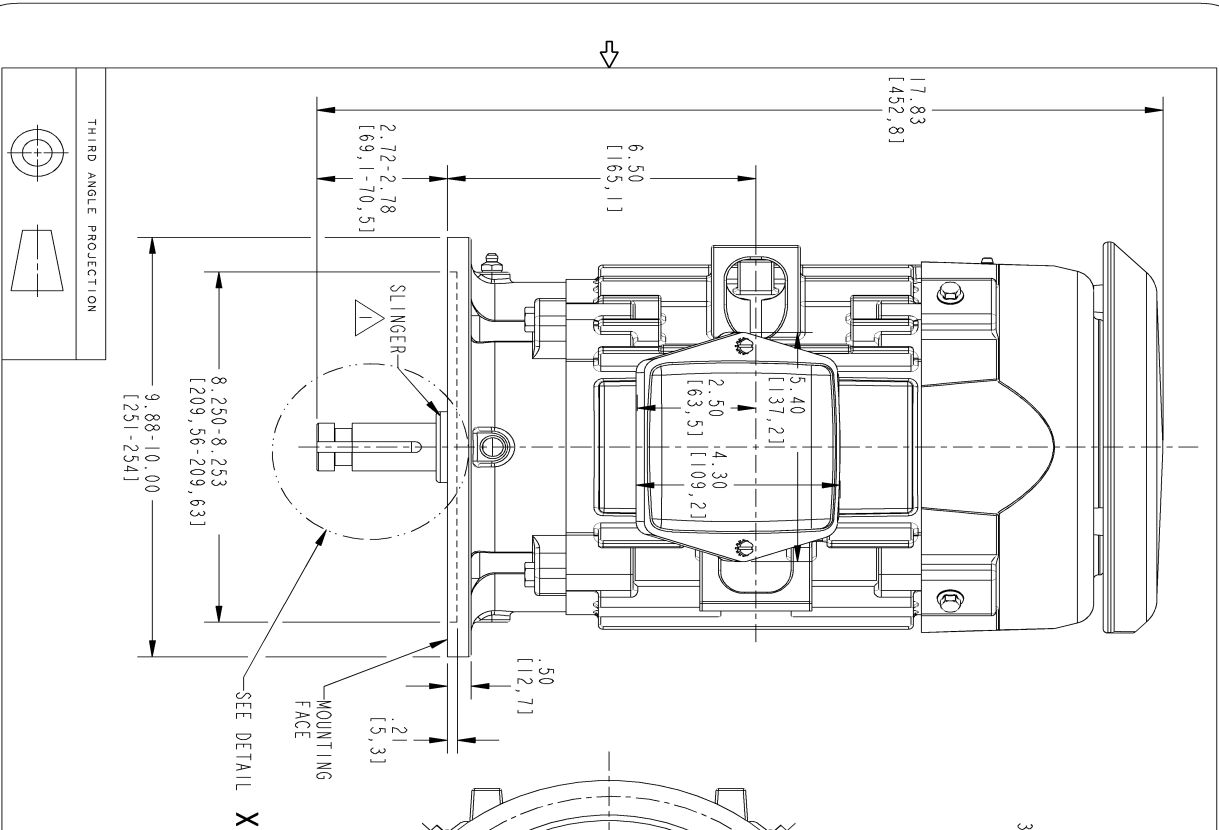
This motor is capable of two cold or one hot start with a maximum connected load inertia of 38 Lb-Ft Sq (1.6 Kg-meter Sq)at 100% voltage, where the load torque varies with the square of the speed. Acceleration time with maximum inertia and the above load type is 60 seconds. Safe stall time at 100% voltage is 116 seconds cold, 97 seconds hot. Rotor inertia is 0.12 Lb-Ft Sq (0.01 Kg-meter Sq).

Open Circuit A-C:	0.329	Short Circuit D-C:	0.01
Short Circuit A-C:	0.018	X/R Ratio:	3.956
Stator Slots:	36	Rotor Slots:	28

Speed Torque Current Curve (First Connection, First Speed)



Marks:



NOTE 1: CONDUIT BOX MAY BE ASSEMBLED WITH ENTRANCE UP, DOWN OR TO EITHER SIDE.
 NOTE 2: ALL DIMENSIONS ARE IN INCHES, BRACKETED DIMENSIONS ARE IN METRIC (MILLIMETERS).

SIZE B DRAWING NO. 4002B5818PLP5210

REV.	DESCRIPTION	DATE	APPROVED
1	DIMENSION .24 ADDED	04/21/04	SHIVA
2	ISAAC# 12-0695	07/04/12	VI JAY
3	ISAAC #12-1164	12/12/12	HARIKIRAN

SIGNATURES	DATE
DRAWN: GARY WARRNER	APR 22/02
CHECKED: GARY WARRNER	MAY 01/02
ENGR: GARY WARRNER	MAY 02/02

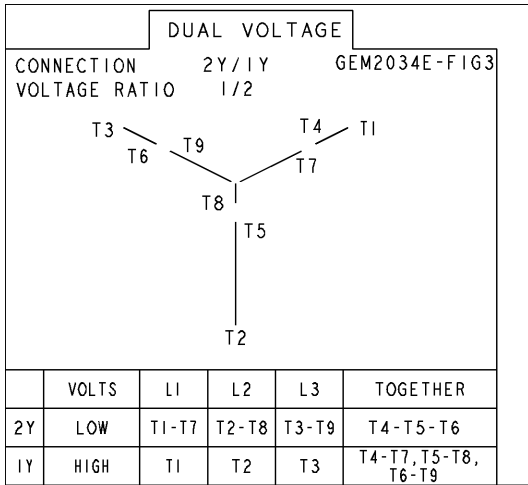
GE Industrial Systems	GENERAL ELECTRIC COMPANY
Fort Wayne, Indiana	

INDUCTION MOTOR OUTLINE	SOLID SHAFT - NORMAL THRUST
FIVE-FL180HP VERTICAL "P" BASE DIA 10.0"	
SIZE DRAWING: 4002B5818PLP5210	REV. 3
SCALE: 0.400	REF. NO.: 4003C5618PLP210

DISTRIBUTION: PMP-18K15

Marks:

Connection Diagram
GEM2034E-FIG3



Heater Connection
3027JE-1C



End shield Assembly		
Part Description	DE Side Part#	ODE Side Part#
End Shield	4004D5261PA1	4004D5281SY1
Bearing	235A2501AE01	235A2502AF01
Slinger/Inproseal	235A2300BE1	149C4399G16

Fan & Fan Cover Assembly	
Part Description	Part#
Fan	346L620AP-G01
Fan Cover	4003C5518BN-G01

Conduit & Accessories Box Assembly	
Part Description	Part#
Conduit Box	4002B5718PA-G01

Mechanical Accessories	
Part Description	Part#
Brake	
Tachometer	

